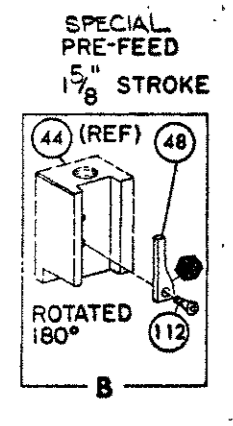
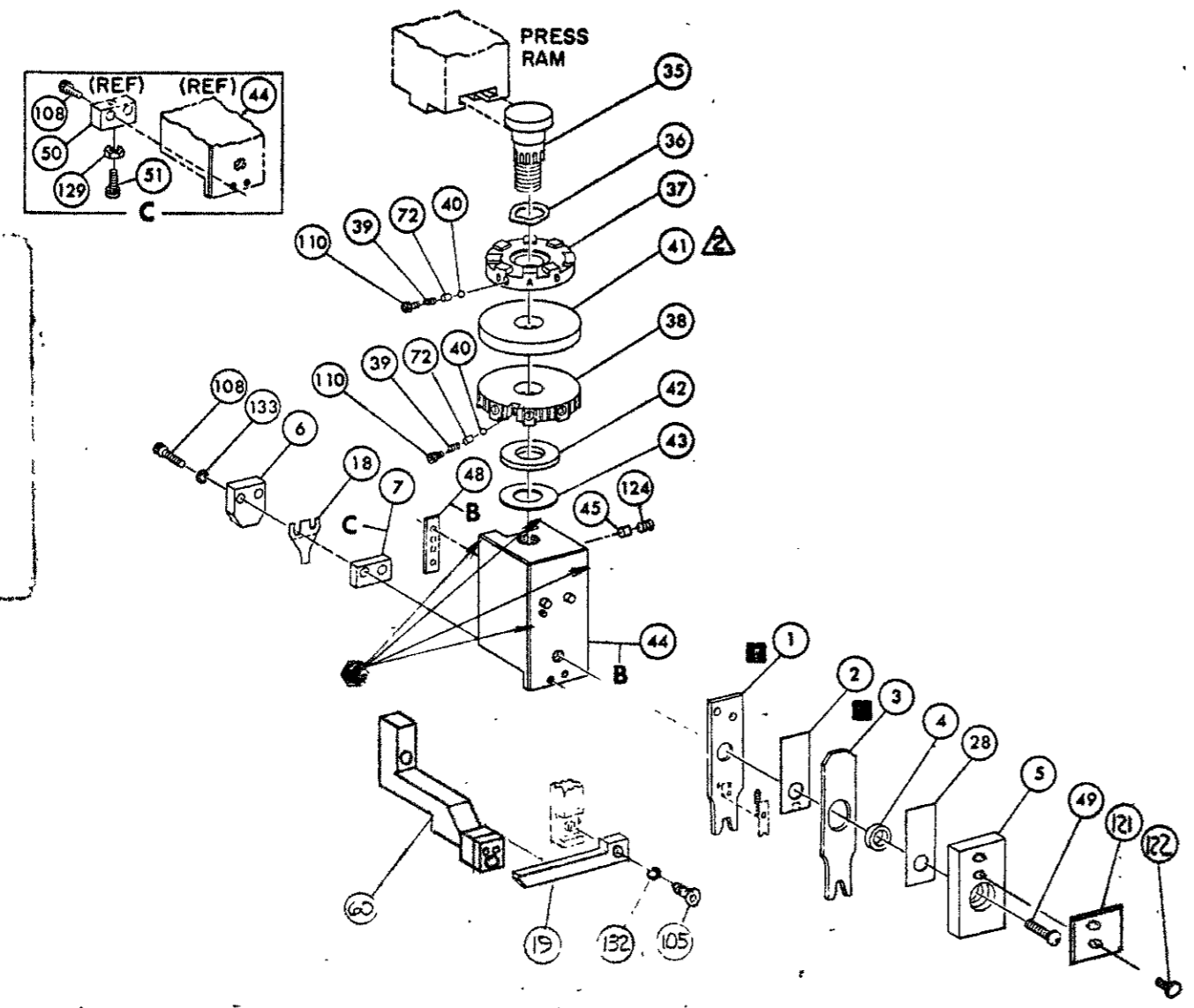


THIS IS A CONTROLLED DOCUMENT.



**NOTES:**

1- ONLY THE ITEMS WITH QUANTITIES SPECIFIED ON PARTS LIST ARE USED ON THIS APPLICATOR.

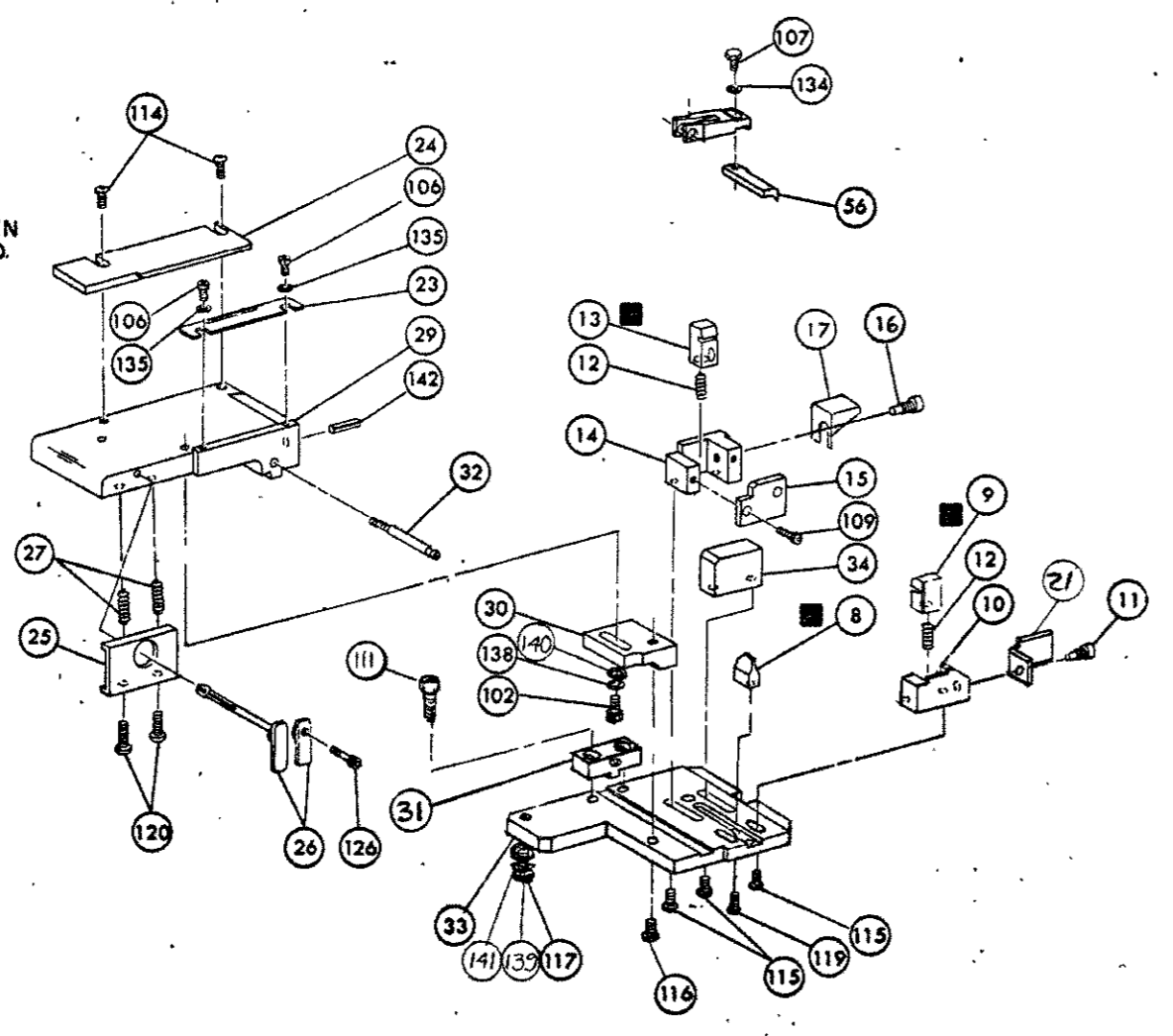
△- USED IN PLACE OF ITEM 38 WHEN INSULATION CRIMP IS NOT USED.

3-FEED PIVOT- CENTERHOLE

**KEY:**

☐- RECOMMENDED SPARE PARTS CUSTOMER RESPONSIBLE FOR REPLACEMENT.

●- GREASE WEEKLY



QTY	PART NO	DESCRIPTION	ITEM NO
REF	45615-1	PLATE, TERMINAL NO.	145
2	690701-2	PLATE, SERIAL NO.	144
1	4-21028-0	PIN, SLOT SPR (.093 DIA X .75) STR G PLATE	142
1	21899-2	WASHER, FLAT (NO 10) MOUNTING	141
1	21899-2	WASHER, FLAT (NO 10) S. G. ADJ BLOCK	140
1	21024-5	WASHER, LOCK (NO 10) MOUNTING	139
1	21024-5	WASHER, LOCK (NO 10) STRIP GUIDE ADJ BLOCK	138
1	811242-2	BUMPER, HOLDDOWN	137
1	690753-1	SPACER, TONKER	136
2	21024-2	WASHER, LOCK (NO 4) FRONT STRIP GUIDE	135
REF	21024-4	WASHER, LOCK (NO 8) FEED FINGER	134
2	21024-4	WASHER, LOCK (NO 8) DEPRESSOR	133
REF	21024-4	WASHER, LOCK (NO 8) STRIPPER	132
1	21018-5	NUT, HEX MACH (6-32) HOLDDOWN	131
1	22353-8	SCR, SHLD. (187 DIA X .250 LG) DRAG LEVER	130
1	21009-2	SCR, SKT SET (1/4-20 X .25) (LOC-WEL) RAM	129
2	21017-2	SCR, DRIVE (# 2 X .188 LG)	128
1	819347-1	PLATE, I.D.	127
2	3-21002-0	SCR, BUT HD SKT CAP (10-32 X .80) DRAG	126
2	22733-8	SCR, BUT HD SKT CAP (8-32 X .38) (LOC-WEL) ANVIL	125
1	3-21002-9	SCR, SOC HD SKT CAP (10-32 X 1.00) MOUNTING	124
1	2-21002-7	SCR, BUT HD SKT CAP (10-32 X .50) SG ADJ BLOCK	123
4	2-21002-2	SCR, BUT HD SKT CAP (8-32 X .50) SHEAR	122
2	2-21002-2	SCR, BUT HD SKT CAP (8-32 X .50) R STRIP GUIDE	121
1	1-21002-7	SCR, BUT HD SKT CAP (6-32 X .50) CAM	120
2	2-21000-7	SCR, SKT HD CAP (8-32 X .50) SCR. BLOCK	119
2	23030-1	SCR, SKT HD CAP (6-32 X .25) (LOC-WEL) CP DISC	118
2	2-21000-7	SCR, SKT HD CAP (8-32 X .50) REAR SHEAR PLATE	117
REF	2-21002-1	SCR, BUT HD MACH (8-32 X .38) FEED FINGER	116
2	1-21000-3	SCR, SKT HD CAP (4-40 X .25) F STRIP GUIDE	115
REF	2-21002-1	SCR, BUT HD CAP (8-32 X .38) STRIPPER	114
1	3-22603-1	SCR, HEX HD CAP (10-32 X .38) SG ADJ BLOCK	113
2	463310-7	BLADE, STRIPPING (# 24)	112
2	690603-1	SPRING, ASSIST	111
1	462838-1	DEPRESSOR, SHEAR (REAR)	110
1	238011-7	DEPRESSOR, SHEAR (FRONT) SPECIAL	109
68	3-456135-0	SPACER, TUBULAR, INS CRIMPER	108
67	455888-4	CRIMPER, INSULATION	107
66	456401-1	SPACER, CRIMPER	106
65	456401-1	CRIMPER, WIRE	105
64			104
63			103
62			102
61			101
60			79
59			78
58			77
57			76
56			75
55			74
54			73
53			72
52			71
51			70
50			69
49			68
48			67
47			66
46			65
45			64
44			63
43			62
42			61
41			60
40			59
39			58
38			57
37			56
36			55
35			54
34			53
33			52
32			51
31			50
30			49
29			48
28			47
27			46
26			45
25			44
24			43
23			42
22			41
21			40
20			39
19			38
18			37
17			36
16			35
15			34
14			33
13			32
12			31
11			30
10			29
9			28
8			27
7			26
6			25
5			24
4			23
3			22
2			21
1			20
			19
			18
			17
			16
			15
			14
			13
			12
			11
			10
			9
			8
			7
			6
			5
			4
			3
			2
			1

QTY	PART NO	DESCRIPTION	ITEM NO
REF	816472-1	STOP, WIRE	

REMARKS	NO	REV
APPL USED ON MACHINE PART NO	MACH SERIAL NO	DISTRIBUTION
CUSTOMER NAME	APPL SERIAL NO	ORIGINAL
ADDRESS	PURCHASE ORDER	CUSTOMER COPY
CITY	ENG APP	FIELD ENG COPY

CRIMPING DATA	APPLICATOR WILL APPLY
CRIMP PAD LTR	530151
CRIMP HEIGHT	530551
WIRE SIZE	530553
WIRE STRIP LENGTH	531216
WIRE	531224
INSUL	
CRIMP SIZE	
TYPE	
FEED	
APPL INST	
WIRE RANGE	
INSULATION RANGE	
PRESS NO	

466943