

6

5

4

3

2

1

E

E

D

D

C

C

B

B

A

A

6

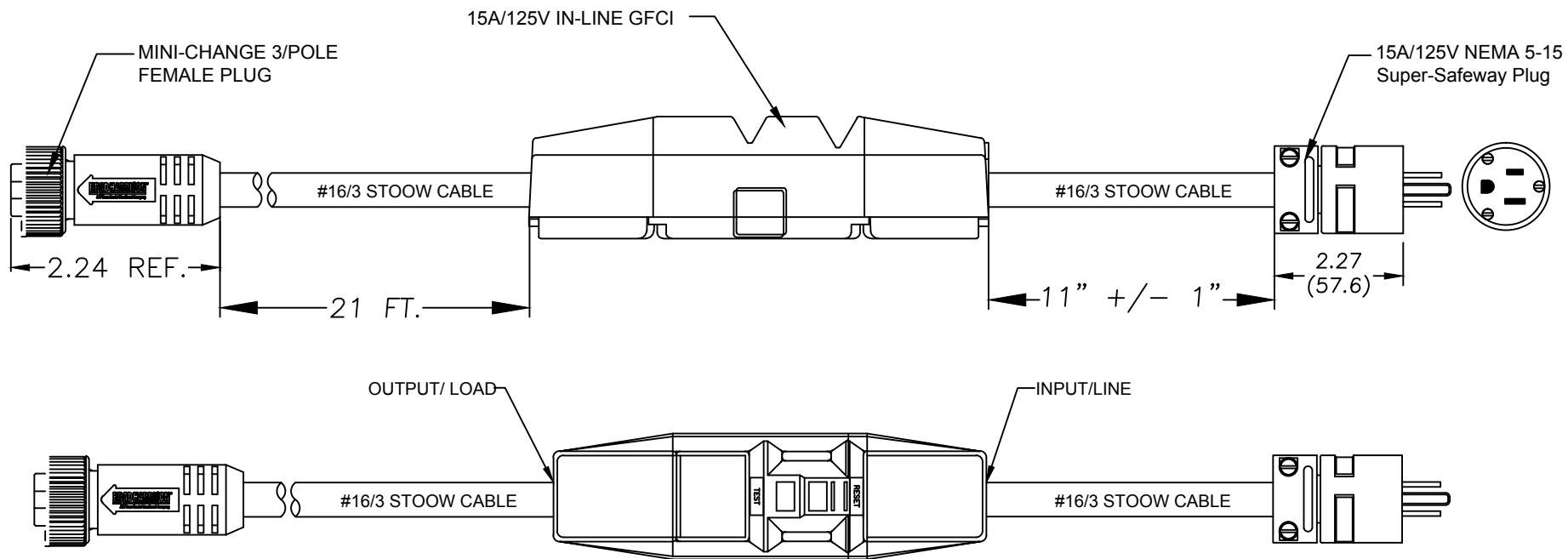
5

4

3

2

1



11" +/- .1" WAS 12 IN. EC NO: IFC2017-0516 DRWN: BPAITERS 1/4/17 CHKD: --- APPR: HKNEELAN 2010/12/17	QUALITY SYMBOLS	GENERAL TOLERANCES (UNLESS SPECIFIED)		DIMENSION STYLE IN/MM		SCALE NTS	DESIGN UNITS INCH	THIRD ANGLE PROJECTION
	$\nabla = 0$ $\sphericalangle = 0$	4 PLACES	mm	INCH	DRAWN BY DATE	TITLE MC 3P FP W/21' 16/3CABLE IN-LINE 15A/125V GFCI & 1447 PLUG	MOLEX INCORPORATED	SHEET NO. 1 OF 1
		3 PLACES	±---	±---	CHECKED BY DATE			
		2 PLACES	±0.13	±0.010	APPROVED BY DATE			
	1 PLACE	±0.25	±0.020	DTITUS 2010/12/17				
		ANGULAR ±.5°		MATERIAL NO.	DOCUMENT NO.			
		DRAFT WHERE APPLICABLE MUST REMAIN WITHIN DIMENSIONS		SIZE A	THIS DRAWING CONTAINS INFORMATION THAT IS PROPRIETARY TO MOLEX INCORPORATED AND SHOULD NOT BE USED WITHOUT WRITTEN PERMISSION			