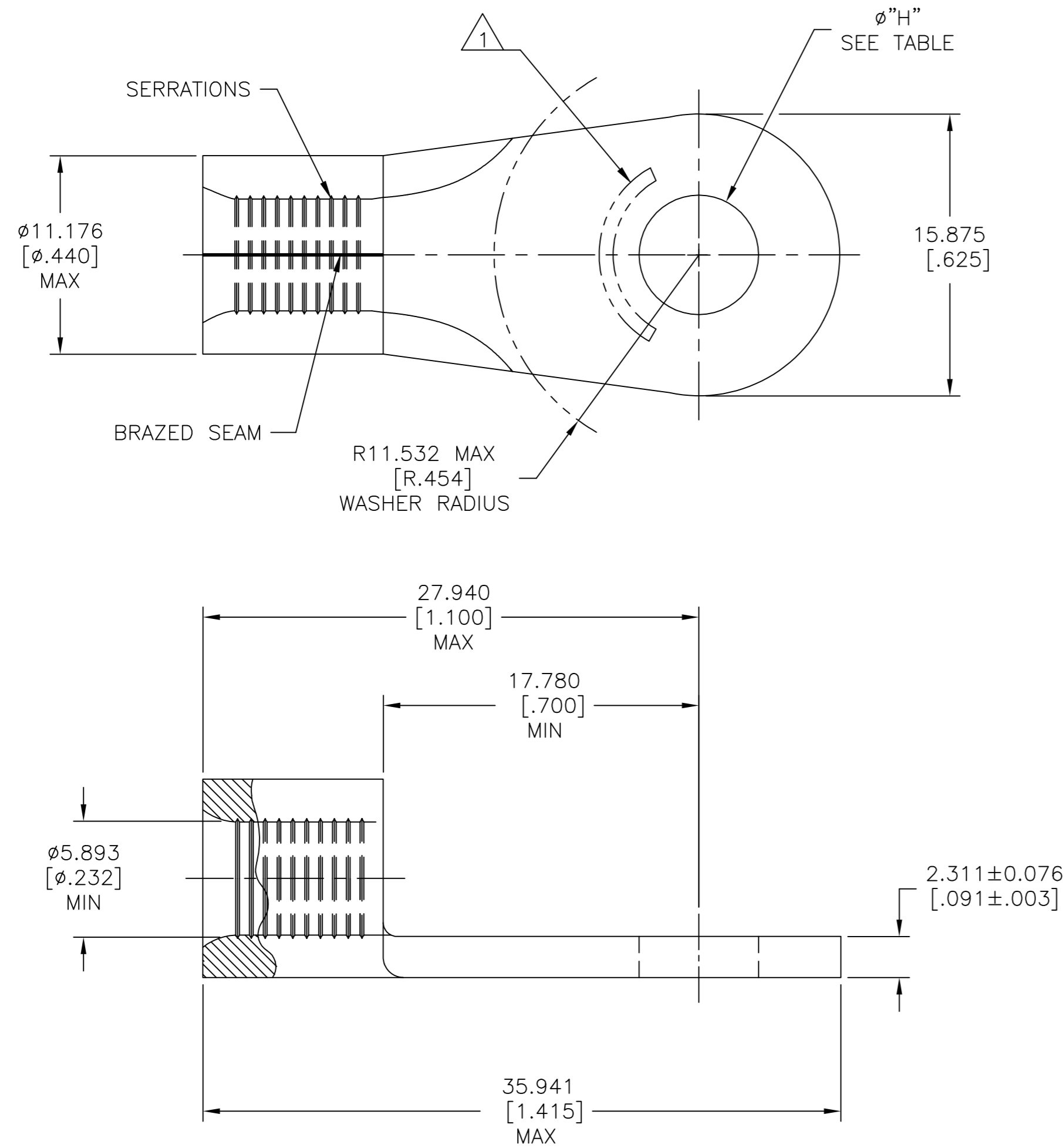


THIS DRAWING IS UNPUBLISHED. RELEASED FOR PUBLICATION
 © COPYRIGHT - TE Connectivity Ltd. ALL RIGHTS RESERVED.

REVISIONS					
P	LTR	DESCRIPTION	DATE	DWN	APVD
C		REV & REDRAWN PER 0720-0040-93	3-24-93	TAB	DAP
C1		REVISED PER ECO-17-008808	05MAR2018	RS	DR



AMP WIRE RANGE	E13288 Listed
6HD AWG SOLID OR STRANDED	6HD AWG STRANDED
LR7189 Certified	MILITARY P/N AND CLASS
6HD AWG SOLID OR STRANDED	NOT APPLICABLE

1 STAMP AMP 6HDW* APPROX AS SHOWN

100	LOOSE PIECE	3/8	Ø9.906±0.127 [Ø.390±.005]	1-331417-1
QUANTITY	PACKAGE TYPE	STUD SIZE	"H"	PART NO

AMP INCORPORATED CUSTOMER SERVICE SYSTEMS			THIS DRAWING IS A CONTROLLED DOCUMENT.		DWN TA BRINKMAN 3-24-93	TE Connectivity Ltd.			
FOR ADDITIONAL PRODUCT INFORMATION OR COPIES OF DRAWINGS AND TECHNICAL DOCUMENTS	PRODUCT INFORMATION CENTER 1-800-522-6752	MAX RECOMMENDED OPERATING TEMPERATURE: 170°C [338°F] MAX	DIMENSIONS: mm [INCHES]	TOLERANCES UNLESS OTHERWISE SPECIFIED:	CHK DA PATTERSON 3-24-93	NAME JL MECKLEY 3-24-93			
FOR APPLICATION	TOOLING ASSISTANCE CENTER 1-800-722-1111	VOLTAGE RATING: NOT APPLICABLE		0 PLC ± - 1 PLC ± - 2 PLC ± - 3 PLC ± 0.127[.005] 4 PLC ± - ANGLES ± -	APVD JL MECKLEY 3-24-93	PRODUCT SPEC UL 486 A-B			
TOOLING INFORMATION	1-800-722-1111	WIRE CROSS SECTIONAL AREA RANGE, 10.5-16.8mm²[20,800-33,100] CIR MILS SOLID OR STRANDED	MATERIAL COPPER PER ASTM B-152 ANNEALED	FINISH TIN PLATE 0.00254[.000100] MIN THK PER ASTM B545	APPLICATION SPEC -	SIZE A2	CAGE CODE 00779	DRAWING NO C=331417	RESTRICTED TO -
FOR ORDER ENTRY	1-800-526-5142				WEIGHT -	SCALE 4:1	SHEET 1 of 1	REV C1	