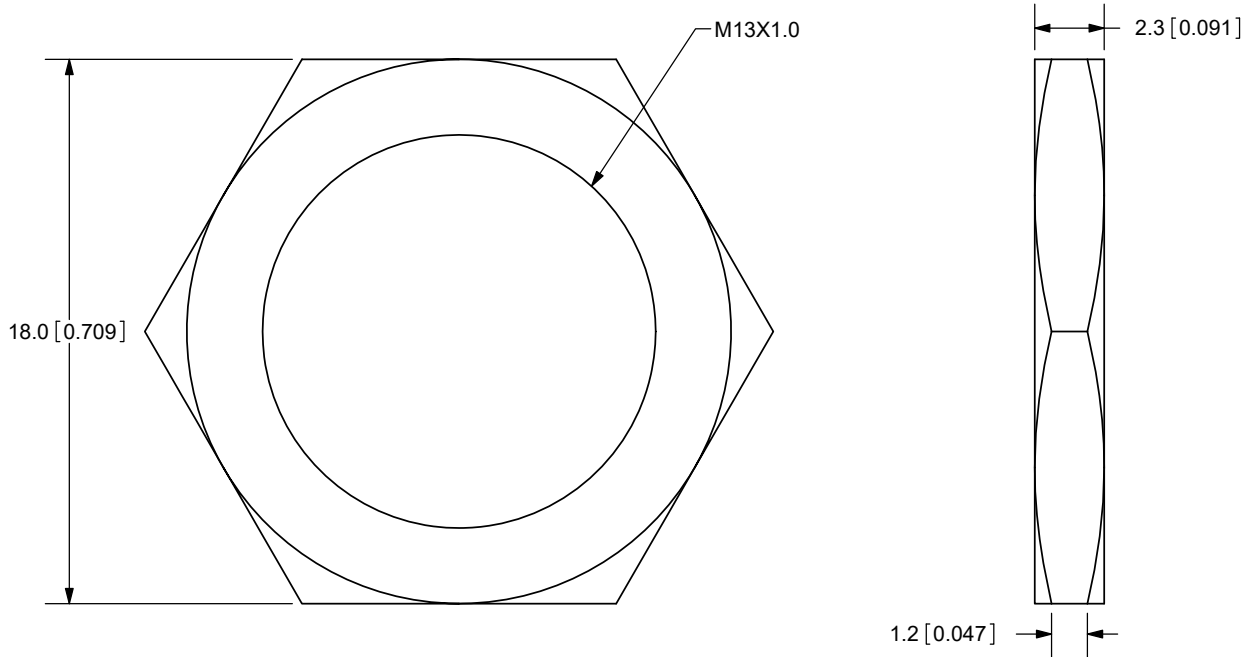


REV.	DESCRIPTION	DATE
A	NEW DRAWING	11/11/2009
B	LOGO, BRAND UPDATE	10/28/2022



TOLERANCE:
±0.1mm UNLESS OTHERWISE
SPECIFIED




CUI DEVICES
 6405 SW Rosewood St, Suite C
 Lake Oswego, OR 97035
 Phone: 877-323-3576
 Website: www.cuidevices.com

TITLE: M13X1.0 NUT		REV: B
PART NO. PJ-011X-nut	UNITS: MM [INCHES]	
DRAWN BY: RDS	APPROVED BY:	SCALE: 4:1

PC FILE NAME:
PJ-011X-nut

COPYRIGHT 2022 BY CUI DEVICES

	MATERIAL	PLATING	COLOR
NUT	Brass	Nickel	Silver