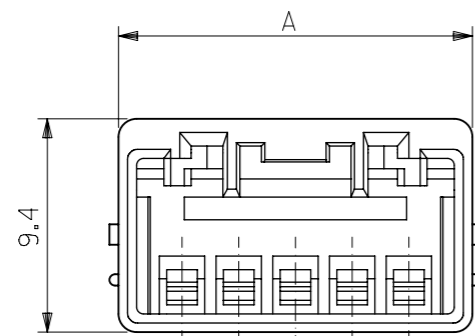
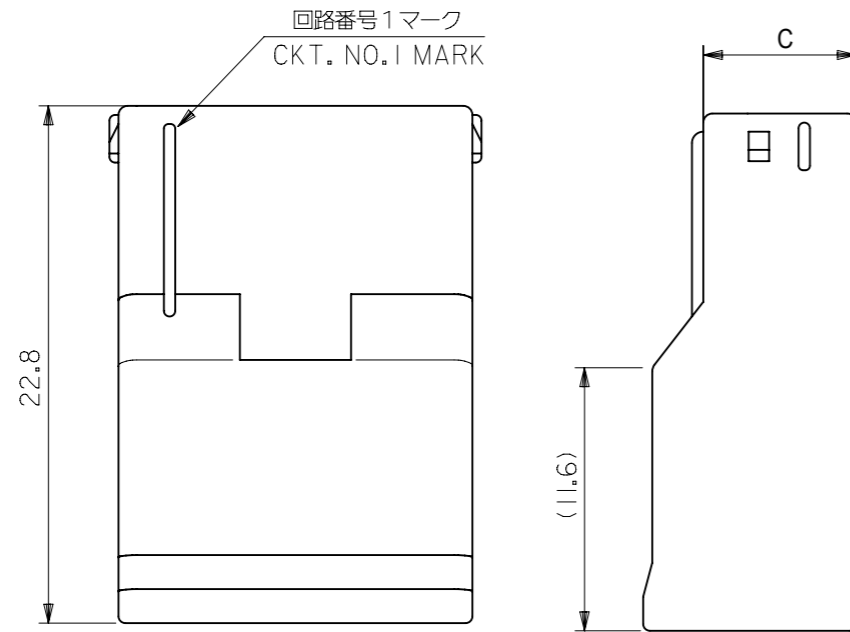
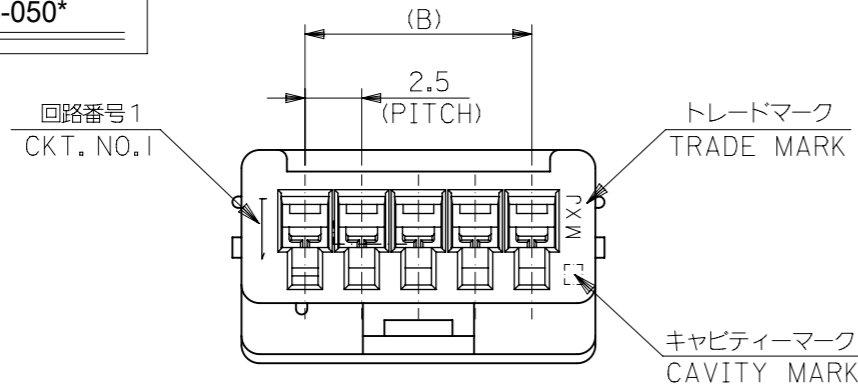
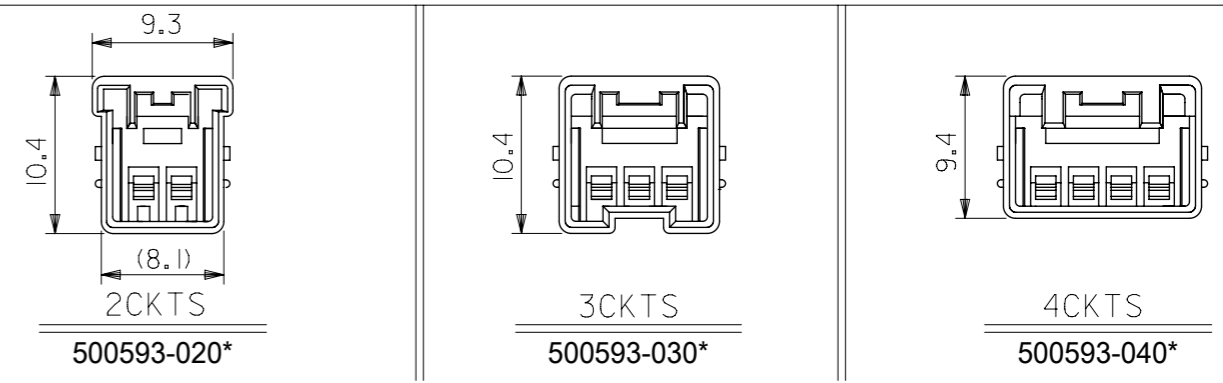


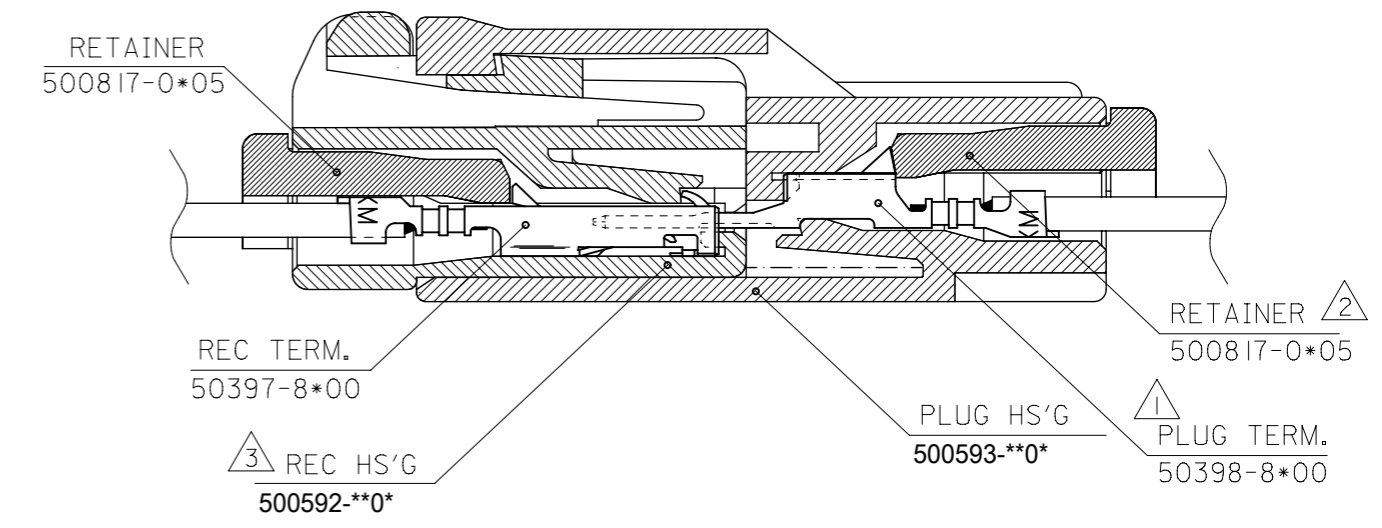
SHAPE OF
500593-050*



4極以下の極数レイアウト図
LAYOUT OF 2/3/4CKTS.



ターミナル装着状態図
TERMINAL ASSEMBLY DRAWING



注記
NOTES

- ① 適合ターミナル：50398シリーズ
APPLICABLE TERMINAL：50398 SERIES
- ② 適合リテーナー：500817シリーズ
APPLICABLE RETAINER：500817 SERIES
- ③ 嵌合相手：500592シリーズ
MATE WITH：500592 SERIES
- 4. 材質：PBT (UL94V-0)
MATERIAL：PBT(UL94V-0)

5. MATERIAL NO.は以下の内容を示す。
MATERIAL NO.:

500593-**0*

極数 CKT	色 COLOR
0	自然色 NATURAL
1	黒 BLACK
2	赤 RED
3	黄色 YELLOW
4	青 BLUE
6	緑 GREEN

FUNCTIONAL SYMBOLS		THIS DRAWING CONTAINS INFORMATION THAT IS PROPRIETARY TO MOLEX ELECTRONIC TECHNOLOGIES, LLC AND SHOULD NOT BE USED WITHOUT WRITTEN PERMISSION		500593-**0*		MODEL NO.	
▽A = 0	MM	SCALE	1:1	<div style="text-align: center; font-size: 2em; font-weight: bold;">molex</div> <p>2.5MM WIRE TO WIRE CONN. PLUG HOUSING</p>			
▽E = 0	GENERAL TOLERANCES (UNLESS SPECIFIED)						
▽F = 0	ANGULAR TOL ± 3.0°						
DIVISIONAL SYMBOLS		CURRENT REV DESC: OBSOLETE PART NUMBERS AS PER PCN#510807		EC NO: 726454		2022/10/20	
4 PLACES ± 0.2		DRWN: LIKITV		2022/11/30		PRODUCT CUSTOMER DRAWING	
3 PLACES ± 0.25		CHK'D: GGA		2022/11/30		DOCUMENT NUMBER	
2 PLACES ± 0.3		APPR: GGA		2022/11/30		DOC TYPE DOC PART REVISION	
1 PLACE ±		INITIAL REVISION:		2005/04/07		SD-500593-001	
0 PLACES ±		DRWN: U.MUMEDA		2015/04/27		PSD 001 C1	
DRAFT WHERE APPLICABLE MUST REMAIN WITHIN DIMENSIONS		THIRD ANGLE PROJECTION		DRAWING		MATERIAL NUMBER	
		A3-SIZE		SERIES		CUSTOMER	
		500593		SEE CHART		GENERAL MARKET	
				SHEET NUMBER		1 OF 2	



500592-080*	500817-0805	6.75	17.5	23.1	8	— // —	— // —	— // —	500593-0800	500593-**0*
↙ -070*	↙ -0705	↙	15	20.6	7	— // —	— // —	— // —	↙ -0700	
↙ -060*	↙ -0605	↙	12.5	18.1	6	— // —	— // —	— // —	↙ -0600	
↙ -050*	↙ -0505	↙	10	15.6	5	— // —	— // —	— // —	↙ -0500	
↙ -040*	↙ -0405	6.75	7.5	13.1	4	— // —	— // —	— // —	↙ -0400	
↙ -030*	↙ -0305	7.75	5	10.6	3	500593-0304	— // —	500593-0301	↙ -0300	
500592-020*	500817-0205	7.75	2.5	8.1	2	500593-0204	500593-0202	500593-0201	500593-0200	MODEL NO.
MATE WITH	CONFORTABLE-RETAINER	C	B	A	CKT.	BLUE	RED	BLACK	NATURAL	

THIS DRAWING CONTAINS INFORMATION THAT IS PROPRIETARY TO MOLEX ELECTRONIC TECHNOLOGIES, LLC AND SHOULD NOT BE USED WITHOUT WRITTEN PERMISSION									
FUNCTIONAL SYMBOLS	DIMENSION UNITS	SCALE	CURRENT REV DESC: OBSOLETE PART NUMBERS AS PER PCN#510807						
▽/A = 0	MM	3:1	molex 2.5MM WIRE TO WIRE CONN. PLUG HOUSING PRODUCT CUSTOMER DRAWING						
▽/E = 0	GENERAL TOLERANCES (UNLESS SPECIFIED)								
▽/V = 0	ANGULAR TOL ± 3.0 °								
DIVISIONAL SYMBOLS	4 PLACES	± 0.2	EC NO: 726454	2022/10/20	DOCUMENT NUMBER: SD-500593-001 DOC TYPE: PSD DOC PART: 001 REVISION: C1				
	3 PLACES	± 0.25	DRWN: LIKITV	2022/11/30					
	2 PLACES	± 0.3	CHK'D: GGA	2022/11/30					
	1 PLACE	±	APPR: GGA	2022/11/30	INITIAL REVISION:		MATERIAL NUMBER: 500593 CUSTOMER: GENERAL MARKET		
	0 PLACES	±	DRWN: U.MUMEDA	2005/04/07	DRWN: U.MUMEDA				
	DRAFT WHERE APPLICABLE MUST REMAIN WITHIN DIMENSIONS		THIRD ANGLE PROJECTION	DRAWING: A3-SIZE	SERIES: 500593	MATERIAL NUMBER: SEE CHART		CUSTOMER: GENERAL MARKET	