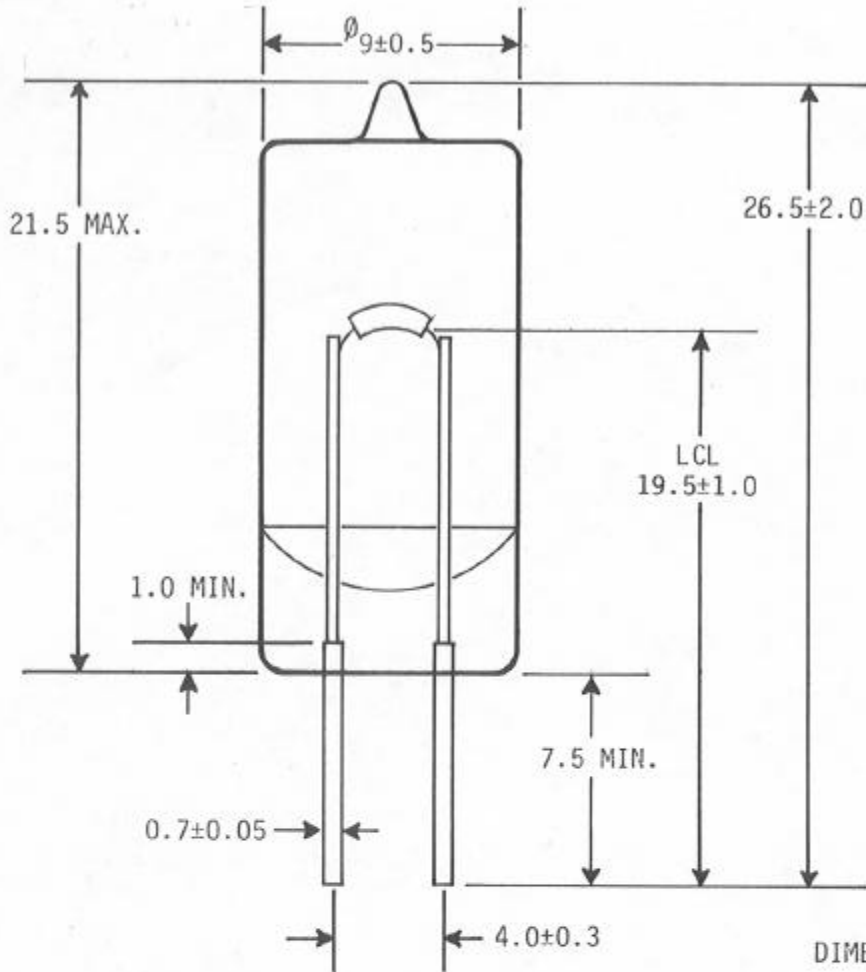


REV	DESCRIPTION	DATE
	RELEASED	2/6/98
	CANCELLED P-973-3	
A	DIM CHANGE 28.0±2.0 to 26.5±2.0 & LCL 19.5±1.0 to 19.5±1.0	5/26/98



DIMENSIONS ARE IN MILLIMETERS

VOLTAGE: 12.0 D.C.
 AMPS: .417±.042
 LUMENS FLUX AVG. 60 lm (4.78 cp)
 MIN. 51 lm (4.06 cp)
 AVRG. LIFE: 2,000 hrs.
 COLOR TEMP.: 2900 K Approx.

TITLE G-4 2 PIN HALOGEN		DRAWING NUMBER GB12417		REVISION A
JKL COMPONENTS CORPORATION 13343 Paxton Street Pacoima, CA 91331 (818) 896-0019	RELEASE DATE 5/26/98	DRAWN BY LEN	APPROVED BY	
	SIZE A	FSCM 55335	SCALE 4X	PAGE 1 OF 1