

Figure 1. Physical Photo of AHV12V1KV1MAP

FEATURES

- PCB Mountable
- Small Size
- High Efficiency
- High Stability
- Long Life Time
- Low Power Consumption
- Small Output Ripple, Time Drift, and Temperature Drift
- Overload and Short Circuit Protection
- Continuous Linear Adjustment for Output Voltage
- Metal Enclosure for Zero EMIs
- Easy Control and Installation

APPLICATIONS

This power module, AHV12V1KV1MAP, is designed for achieving DC-DC conversion from low voltage to high voltage.

DESCRIPTION

AHV12V1KV1MAP is a combination of switching step-up technology and linear regulation, which converts the low

input voltage into a stable high output voltage. It comes with output short-circuit protection and a wide range of output voltage adjustments. This high voltage power supply also features ultra-small size, light weight, moisture proof, shockproof, metal enclosure, and zero EMIs. This is a high stability high voltage power supply, ideal for photomultiplier tube, optical measurement, light control technology, nuclear physics, medical equipment, precision instruments, etc.

SHUTDOWN MODE OPERATION

A logic low <0.8V or a 0V on the SDN pin will turn the device off. When SDN is in logic high >1.2V or left unconnected, the product is working well.

SAFETY PRECAUTIONS

The internal protection circuit is provided in the high voltage power supply, but the high voltage short circuit shall be avoided.

Make sure the circuit is insulated perfectly, especially between the high voltage output and the surroundings so as to avoid electronic shock.



SPECIFICATIONS

Table 1. Characteristics. $T_A = 25^\circ\text{C}$, unless otherwise noted

Parameter	Symbol	Condition	Min.	Typ.	Max.	Unit/Note
Input Voltage	VPS		11	12	13	V
Quiescent Input Current	I_{INQQ}	$I_{OUT} = 0\text{mA}$	20	30	40	mA
Full Load Input Current	I_{INFLD}	$I_{OUT} = 1.0\text{mA}$	120	130	140	mA
Input Voltage Regulation Ratio	$\Delta V_{OUT}/\Delta V_{PS}$	VPS = 11V to 13V		0.2		%
Output Voltage	V_{OUT}	$I_{OUT} = 0$ to 1.0mA	0		1000	V
Maximum Output Current	I_{OUTMAX}	VPS = 11V to 13V			1.0	mA
Stability of Reference Voltage	V_{REF}	$-20 \sim 50^\circ\text{C}$	4.98	5	5.02	V
Load				1		MΩ
Regulation Mode			0 ~ 5V or 10k potentiometer			
Control Input vs. Output Linearity	$\Delta V_{REF}/\Delta V_{OUT}$			<0.2		%
Load Regulation Rate		0 to 1.0mA		≤0.05		%
Instantaneous Short Circuit Current	I_{SC}			<500		mA
Shutdown Supply Current	I_{SHDN}				18	mA
Shutdown Logic Input Current	I_{LOGIC}				3	uA
Shutdown Logic Low	V_{INL}				0.8	V
Shutdown Logic High	V_{INH}		1.2			V
Full Load Efficiency	η			≥70		%
Temperature Coefficient	TCV_O	$-20 \sim 50^\circ\text{C}$		<0.01		%/°C
Time Drift	Short Time Drift			<0.5		%/ min
	Long Time Drift			<1		%/h
Output Voltage Temperature Stability		$-20 \sim 50^\circ\text{C}$		<±1		%
Operating Temperature Range	T_{opr}		-20		55	°C
Storage Temperature Range	T_{stg}		-40		85	°C
External Dimensions			55×35×20			mm
Weight				210		g
				0.46		lbs
				7.4		Oz



TESTING DATA

I. DC Testing

High voltage power supply testing data (Test condition: the load is 1 MΩ)

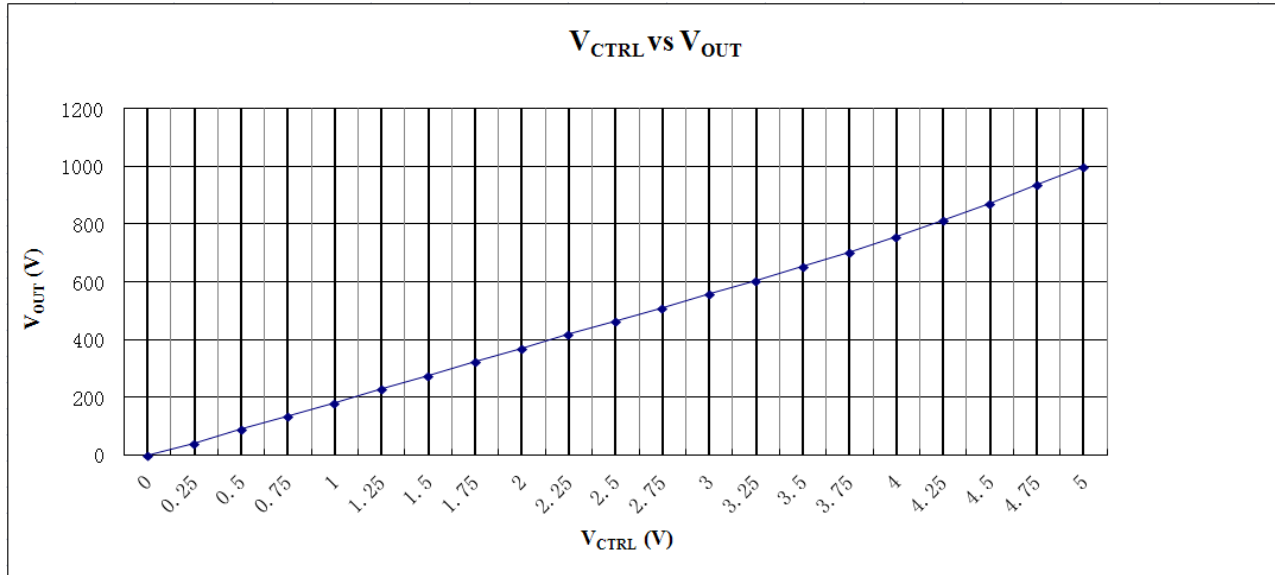


Figure 2. V_CTRL VS. V_OUT

II. AC Testing

Waveform curve and rise & fall time are tested by using the control voltage supplied by signal generator. Under the testing condition of modulation frequency 0.1Hz, control voltage 0.25 ~ 5V, and 1MΩ load, the output voltage is 40 ~ 1000V.

Note: as shown in the figures below, the output voltage is represented by yellow line and the control voltage by red line.

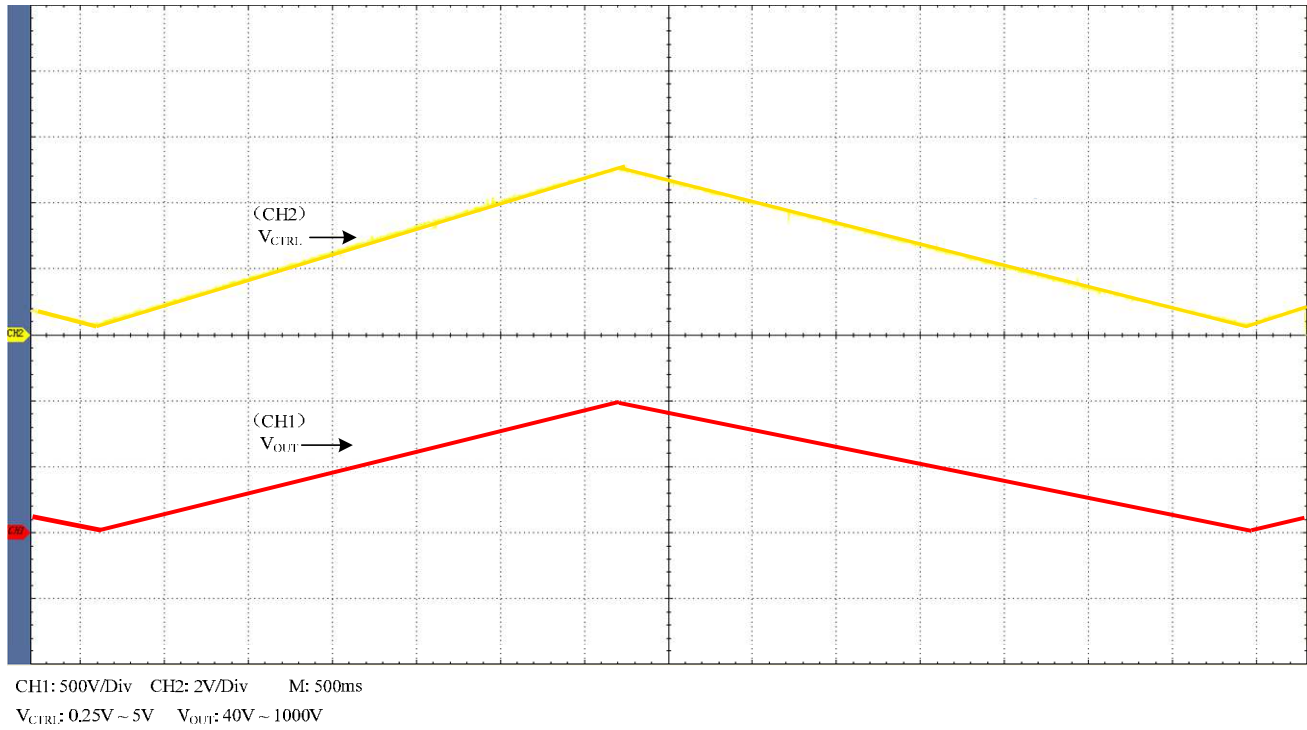


Figure 3. Triangle Wave

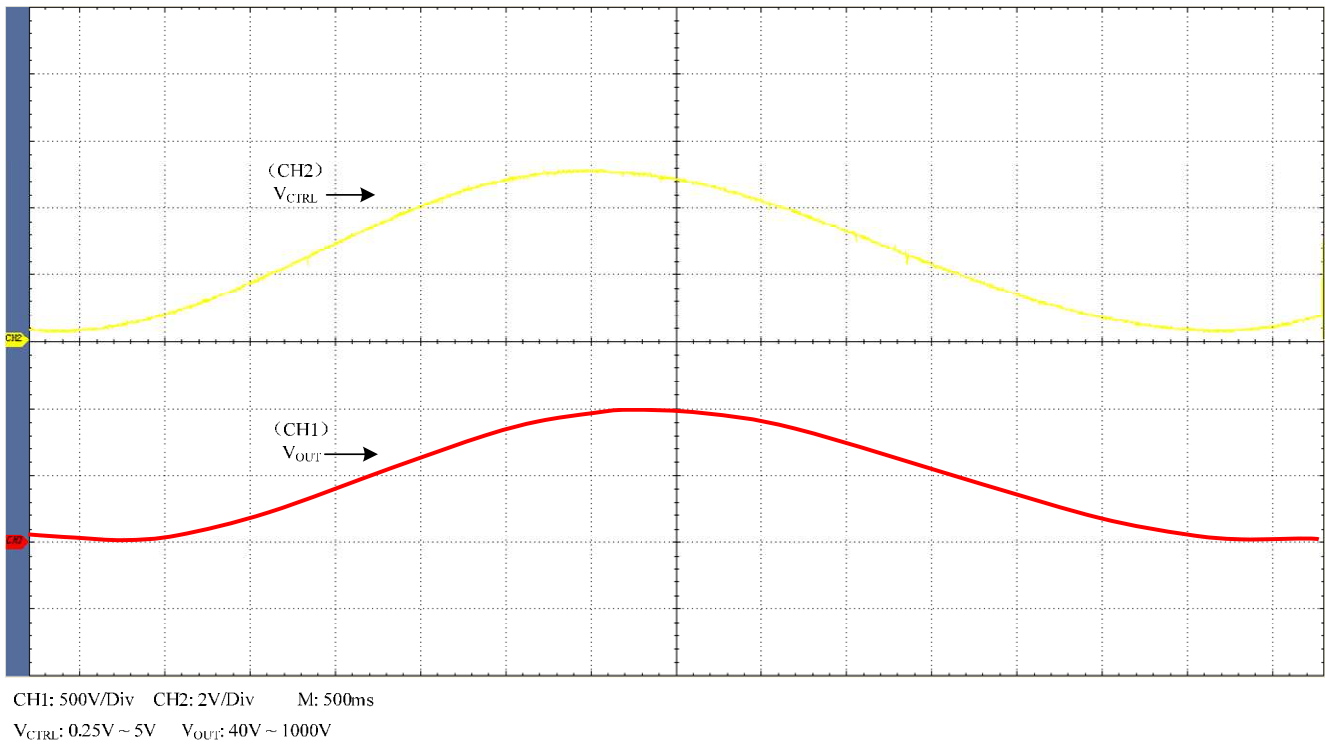
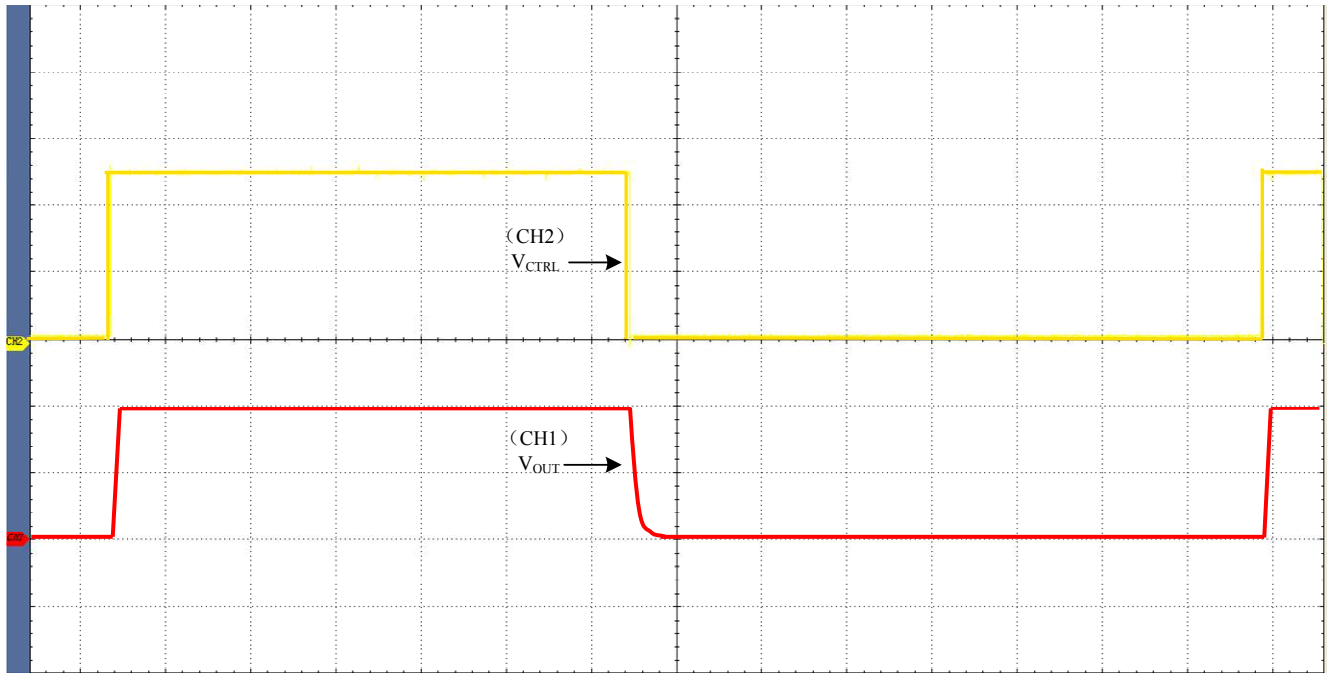
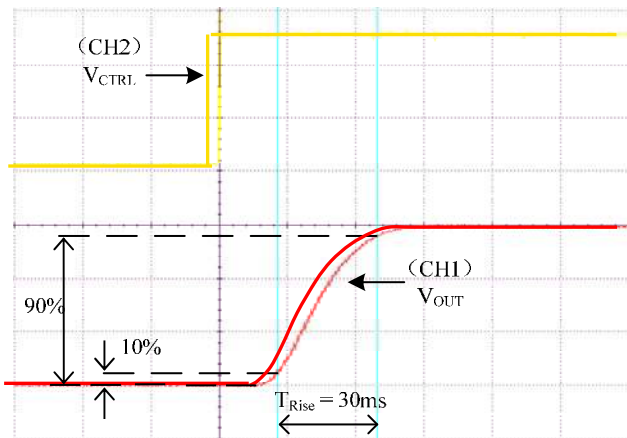


Figure 4. Sine Wave



CH1: 500V/Div CH2: 2V/Div M: 500ms
 V_{CTRL} : 0.25V ~ 5V V_{OUT} : 40V ~ 1000V

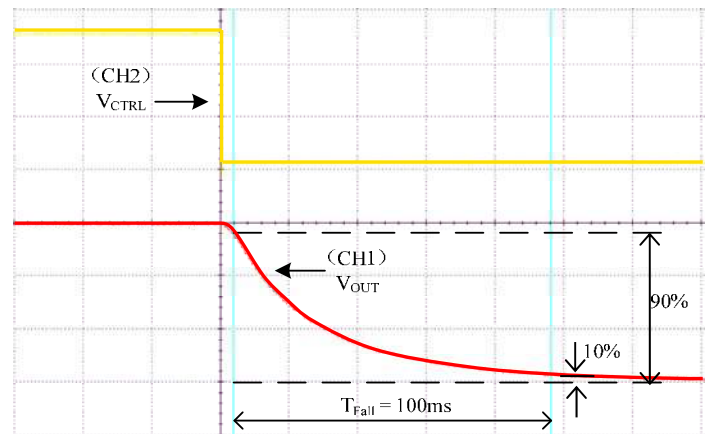
Figure 5. Square Wave



V_{CTRL} : 0.25V ~ 5V V_{OUT} : 40V ~ 1000V

Figure 6. Rise Time

As shown in Figure 6, when a square wave of 0.25V ~ 5V, $F=0.10Hz$ is applied to Control, measure the waveform. The rise time is about 30ms.



V_{CTRL} : 0.25V ~ 5V V_{OUT} : 40V ~ 1000V

Figure 7. Fall Time

As shown in Figure 7, when a square wave of 0.25V ~ 5V, $F=0.10Hz$ is applied to Control, measure the waveform. The fall time is about 100ms.



THE CONNECTION DIAGRAM OF MODULE'S PERIPHERAL CIRCUIT

The leads colors in the figures below are identical with those in the physical AHV12V1KV1MAP.

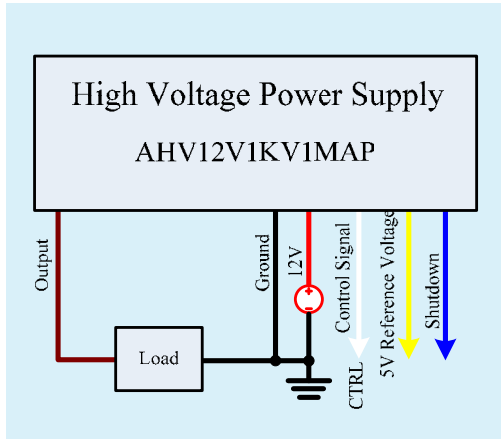


Figure 8. Control by External Signal Source

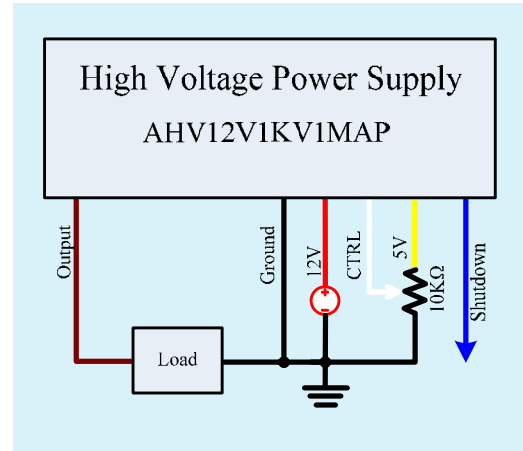


Figure 9. Constant Output Voltage

NAMING PRINCIPLE

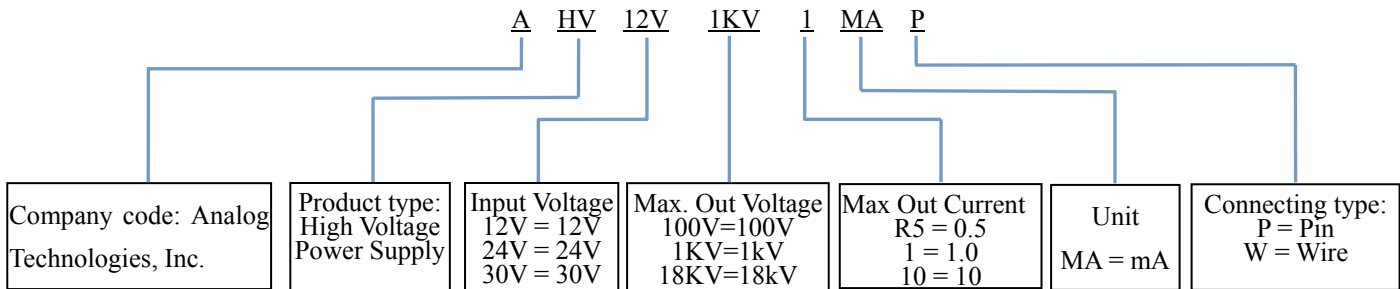


Figure 10. Naming Principle of AHV12V1KV1MAP

DIMENSIONS

I. Pin layout

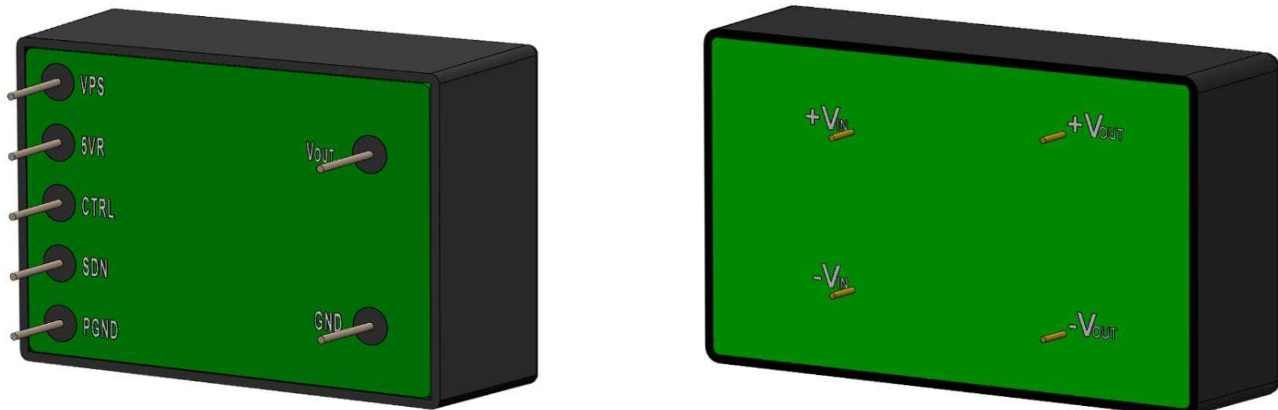


Figure 11. Pin Layout for AHV12V1KV1MAP



II. Dimension of AHV12V1KV1MAP.

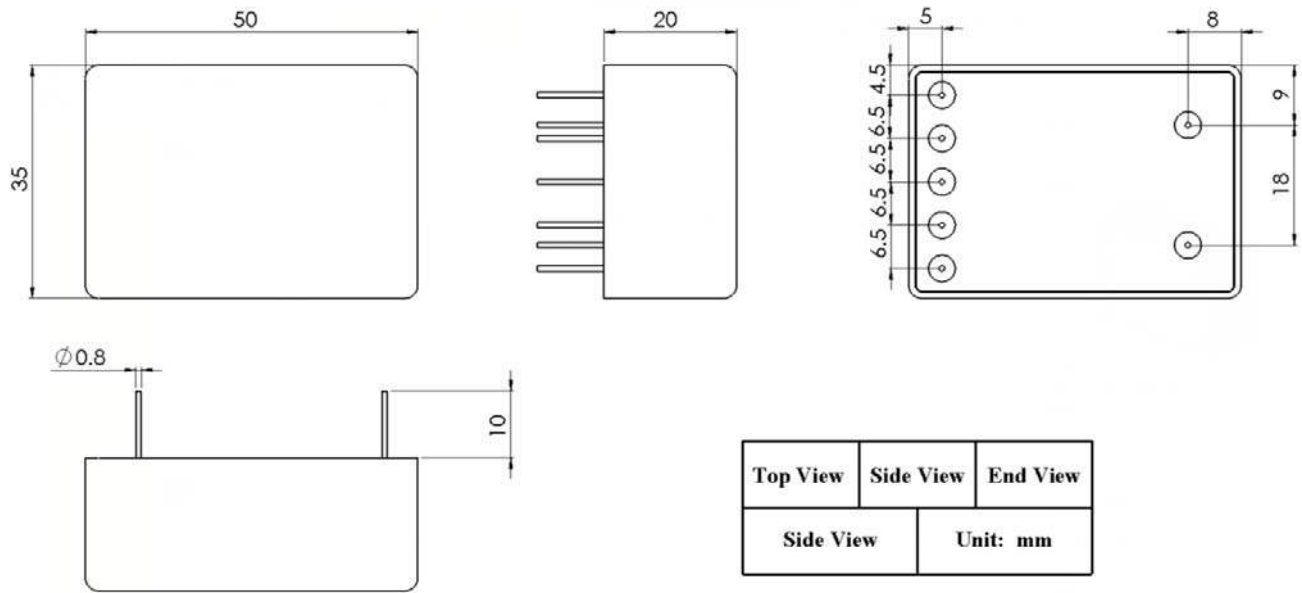


Figure 12. Dimensions for AHV12V1KV1MAP

PRICES

Quantity	1~9pcs	10~49pcs	50~99pcs	≥100pcs
AHV12V1KV1MAP	\$115	\$105	\$95	\$85



NOTICE

1. ATI warrants performance of its products for one year to the specifications applicable at the time of sale, except for those being damaged by excessive abuse. Products found not meeting the specifications within one year from the date of sale can be exchanged free of charge.
2. ATI reserves the right to make changes to its products or to discontinue any product or service without notice, and advise customers to obtain the latest version of relevant information to verify, before placing orders, that information being relied on is current and complete.
3. All products are sold subject to the terms and conditions of sale supplied at the time of order acknowledgment, including those pertaining to warranty, patent infringement, and limitation of liability. Testing and other quality control techniques are utilized to the extent ATI deems necessary to support this warranty. Specific testing of all parameters of each device is not necessarily performed, except those mandated by government requirements.
4. Customers are responsible for their applications using ATI components. In order to minimize risks associated with the customers' applications, adequate design and operating safeguards must be provided by the customers to minimize inherent or procedural hazards. ATI assumes no liability for applications assistance or customer product design.
5. ATI does not warrant or represent that any license, either express or implied, is granted under any patent right, copyright, mask work right, or other intellectual property right of ATI covering or relating to any combination, machine, or process in which such products or services might be or are used. ATI's publication of information regarding any third party's products or services does not constitute ATI's approval, warranty or endorsement thereof.
6. IP (Intellectual Property) Ownership: ATI retains the ownership of full rights for special technologies and/or techniques embedded in its products, the designs for mechanics, optics, plus all modifications, improvements, and inventions made by ATI for its products and/or projects.