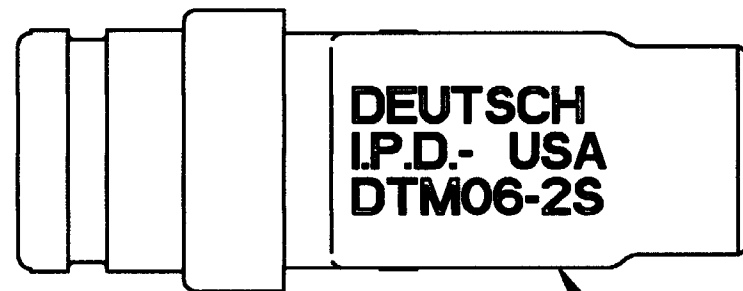
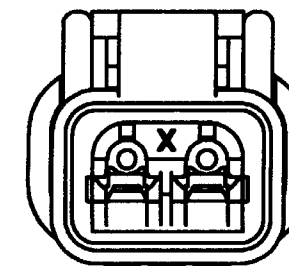
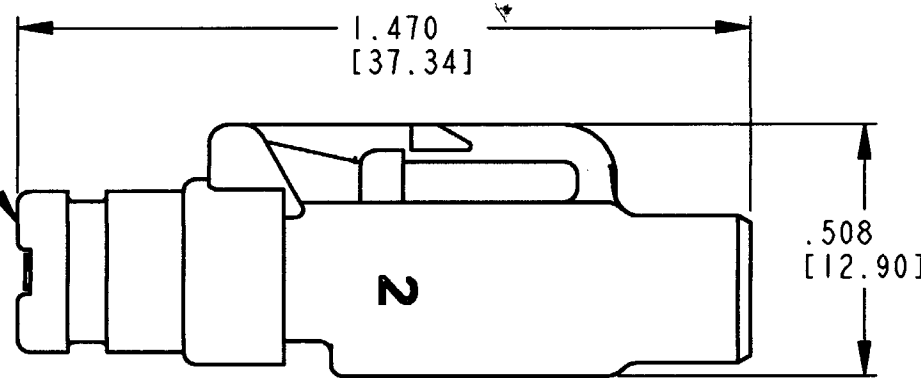


EXTENDED CAP



PLUG HOUSING

REV NC DTM06-2S-EE03

REVISIONS			
SYM	DESCRIPTION	DATE	APPROVED
NC	NEW RELEASE PER E.O. P17051	1-8-01	RDR

6. MATERIAL - HOUSING/EXTEND CAP: PLASTIC; GROMMET: RUBBER.

5. THIS PLUG MATES WITH DTM04-2P-**** RECEPTACLE. (**** = ALL MODIFICATIONS)

4. FOR CONTACT AND WIRE PERFORMANCE AND APPLICATION CHARACTERISTICS SEE ENVELOPE DRAWING 0425-015-0000.

3. SECONDARY WEDGE LOCK SOLD SEPARATELY: WM-2S, WM-2S*. (* = A,B,C,D KEYS)

2. DIMENSION TOLERANCE: $\pm .025$ [.64].

1. DIMENSIONS ARE IN INCHES [mm].

NOTES: UNLESS OTHERWISE SPECIFIED

CONTACT SIZE	MIN. INSUL. O.D.	MAX. INSUL. O.D.	WIRE RANGE [mm ²] REF ONLY
20	.053 [1.35]	.120 [3.05]	16-20 AWG [1.0-0.5]

SIGNATURE & DATE	
DR	D. MEYER 01/02/01
CHK	P. Reed 1/08/01
PE	D. Meyer 1/31/01
APPD	R. Reed 1-8-01
SCALE	NONE WT

PLUG W/EXTENDED CAP
2 CONTACTS, SIZE 20
COLOR: BLACK
-EE03 MOD
DTM SERIES

ENVELOPE

CP MATL. CODE

The Deutsch Company
DEUTSCH I.P.D.
3850 INDUSTRIAL AVE.
HEMET, CALIF. 92545

B DTM06-2S-EE03

DWG SIZE 1139 SHEET 1 OF 1