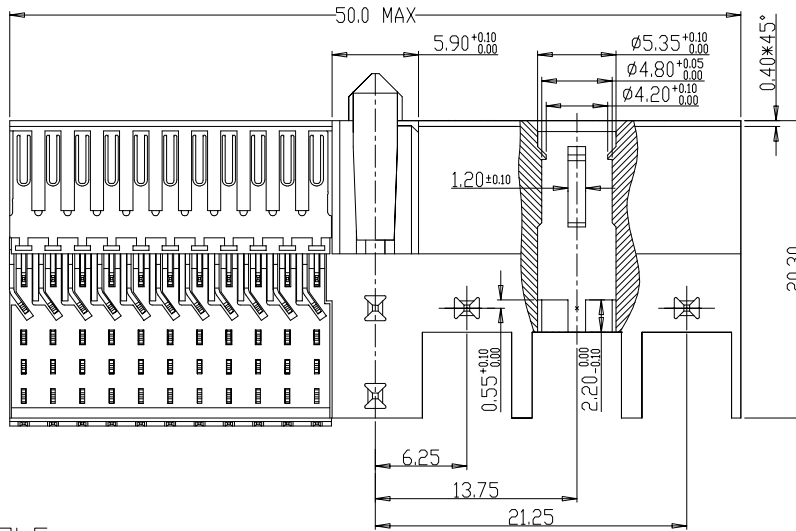
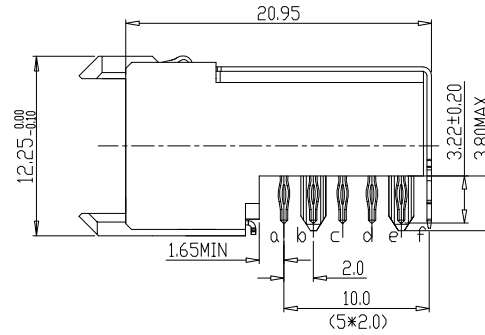
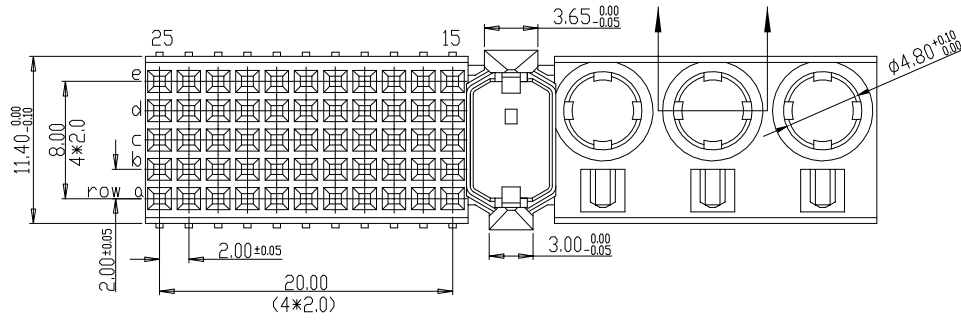


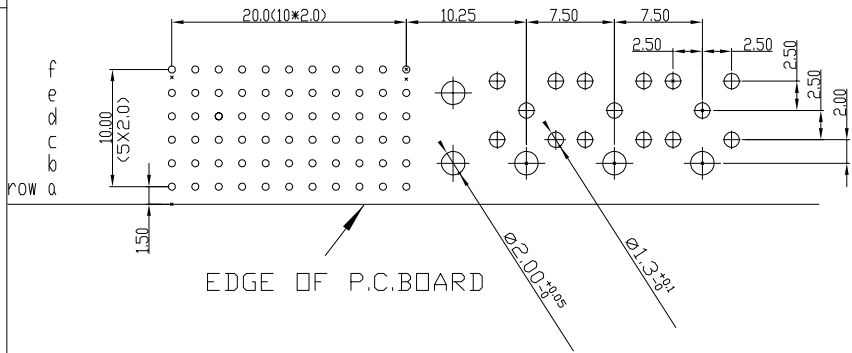
Tous droits strictement réservés. Reproduction ou communication à des tiers interdite sous quelque forme que ce soit sans autorisation écrite du propriétaire. Propriété de c FCI. Droits de reproduction FCI.



All rights strictly reserved. Reproduction or issue to third parties in any form whatever is not permitted without written authority from the proprietor. Property of FCI. Copyright FCI.



LAY-OUT
P.C.B.- HOLE



PERFORMANCE CHARACTERISTICS

- CURRENT RATING: 1.5 A AT 20°C (FULLY LOADED)
- 1 A AT 70°C (FULLY LOADED)
- RATED VOLTAGE: 500 V AC (CONT /CONT)
- OPERATING TEMPERATURE : -55°C TO 125°C
- CONTACT RESISTANCE : 20 mΩ MAX
- INSERTION FORCE: 0.75N MAX/CONT
- EXTRACTION FORCE : 0.15N MIN /CONT
- INSULATION RESISTANCE: 10⁴ MΩ MIN

NOTES

1. LEAD FREE INDICATOR (LF=LEAD FREE)
2. THIS PRODUCT IS CSA APPROVED.
THIS PRODUCT IS UL RECOGNIZED.
3. FOR RECOMMENDED PTH DIMENSIONS REFER DRAWING (BS.A.201572.001)
4. THIS PRODUCT (LF) MEETS EUROPEAN UNION DIRECTIVES AND OTHER COUNTRY REGULATIONS AS DESCRIBED IN GS-22-008

| rev | ecn no | dr | date |
|-----|------------------------|-------|----------|
| A | CONVERSION REVISION_06 | KN | 14-09-01 |
| B | DG05-0381 | Kason | 10-10-05 |
| C | DG07-0362 | Kason | 05-09-07 |
| D | DG10-0110 | NZ | 05-30-10 |
| - | - | - | - |
| - | - | - | - |
| 06 | BEC9.3546 | R.M. | 110601 |

| | | | | |
|----------------|----------------|---|------------------|--|
| Material | | Spec ref | | |
| Mat code | | tolerance 1DEC#02 1DEC 2DEC#010 3DEC ANGLES#1#H0EKEN | projection | MM |
| Heattreat | | | | |
| Plating/Finish | | size A4 | Scale 1.500 | |
| Dr | W.Panis 070492 | | | |
| Eng | | Product family | | MILLIPICS |
| Chr | | Model Name | | ECN |
| Appr | | Model Revision | | REL Level |
| | | title | | RIGHT ANGLE RECEPTACLE CONNECTOR /TYPE M |
| | | dwg no | | BS,C ,201444,005 |
| Pro/E file | | catalog no | HM2R05PA5101---- | Customer |
| | | sheet 1 of 1 | | Rev. D |