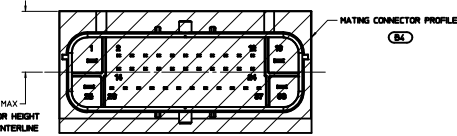
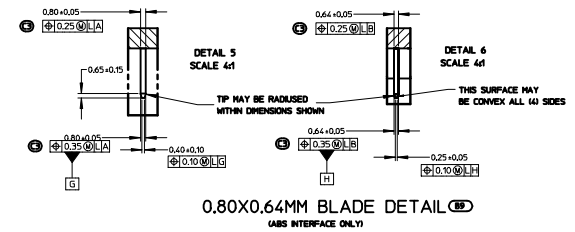
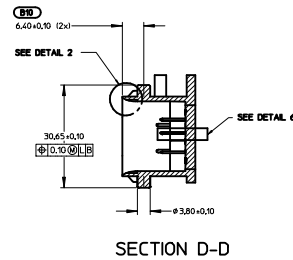
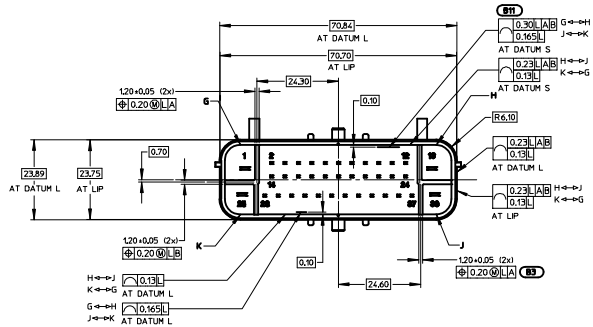
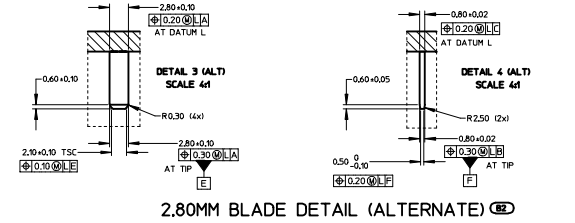
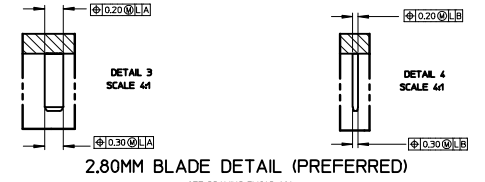
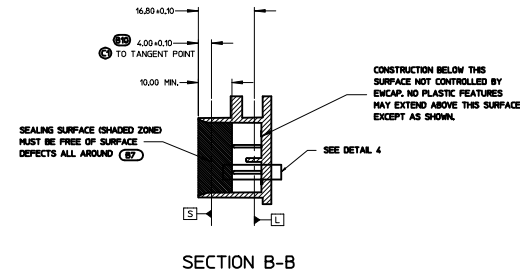
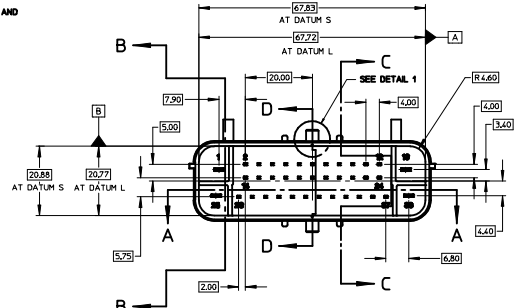
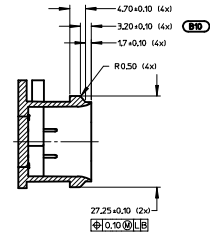
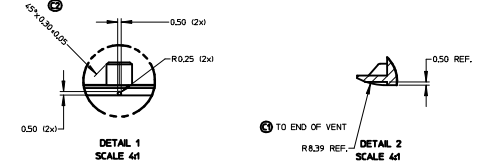
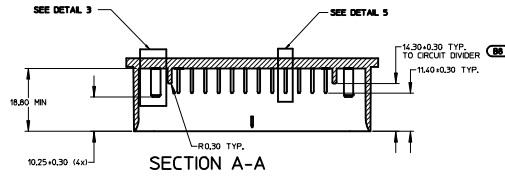
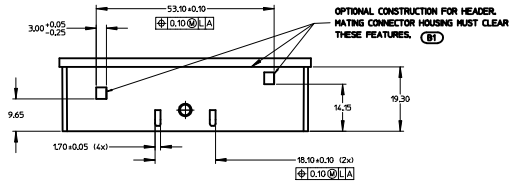
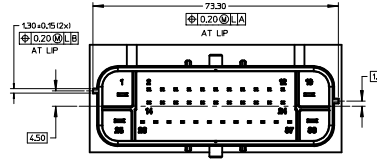
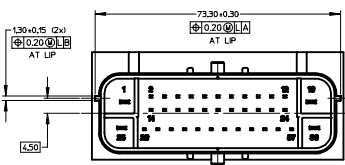


- NOTES:
1. ALL DIMENSIONS SHOWN IN MILLIMETERS.
 2. DIMENSIONING AND TOLERANCING PER ASME Y14.5-1994.
 3. RADI ON ALL CORNERS SHOWN SHARP OR ALL UNSPECIFIED RADIUS EXCEPT AS NOTED.
 4. REFER TO "SAE/ASCAR-12 CONNECTOR DESIGN GUIDELINES" FOR ADDITIONAL INFORMATION.
 5. 0.25 DEGREE DRAFT ON ALL INSIDE SURFACES, UNLESS OTHERWISE SPECIFIED.
 6. STANDARD COLORS FOR POLARIZATION - DEVIATION REQUIRES APPROVAL OF AUTHORIZED PERSON.
 7. REFER TO DRAWING ENCAP-001 FOR TERMINAL GEOMETRY AND PLATING DETAILS.



999-S-038-C02	C	BROWN
999-S-038-B02	B	GRAY
999-S-038-A02	A	BLACK
USCAR PART NO.	OPTION	COLOR



TO BE DETERMINED POLARIZATION 'C'



REV	DATE	BY	CHK	DESCRIPTION
0001	08082003	MCD	BBW	REVISED 0.64MM POS. 0.25 BASE/0.35 TIP ADDED CHAMFER DIMENSION 0.50±0.005 CLASSIFIED LOCATION OF TANGENT POINT INCREASED TOLERANCE ON LONG SIDES BPH DIMENSIONS FEATURES TO FRONT OF SHROUD BPP REVISED GRAT ON 0.64X0.64 BLADE BPT ADDED GRAT DIMENSION BPU ADDED SEALING AREA DESCRIPTION BQ1 REVISED ENCAP FROM TITLE BLOCK BQ2 ADDED POLARIZATION 'B' BQ3 ADDED MATING CONN. PROFILE BQ4 CHANGED UNDER WALL TOLERANCE TO 0.20 BQ5 ADDED OPTIONAL BLADE CONSTRUCTION BQ6 ADDED STANDOFF DIM.
0002	08082003	MCD	BBW	RELEASED
CHANGE NUMBER	LET	REVISION RECORD	DATE	DWN
TOLERANCES UNLESS OTHERWISE SPECIFIED				
DIMENSIONS ARE IN MILLIMETERS				
X ±0.25 ANGLE ±2° XX ±0.15				
THIRD ANGLE PROJECTION				
SCALE	DRAWN BY	CREATED BY	DATE	
1:1	DANIELS	WILSON	08/08/2003	
38 CIRCUIT ABS CONNECTOR INTERFACE - OPTION 6				
REV	DATE	BY	CHK	DESCRIPTION
1	08/08/2003	E		RELEASED FOR MANUFACTURE

TABLE OF CONTENTS

SHEET NO.	SHEET DESCRIPTION
1	NOTES AND BOM
2	CONFIGURATIONS
3	RECEPTACLE CONNECTOR ASSEMBLY
4	WIRE SHIELD

MATING INTERFACE DRAWINGS

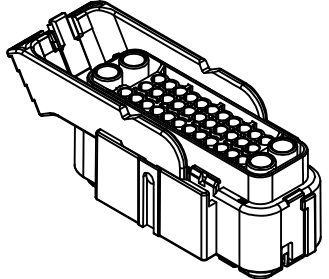
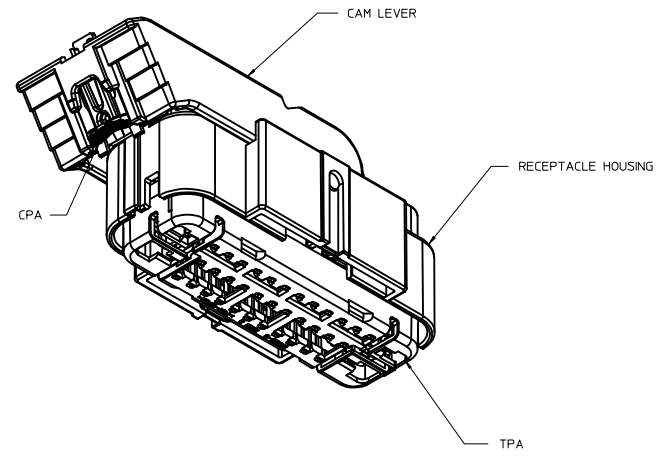
SERIES	INTERFACE DEFINITION
31380	*999-S-038-3-Z01
31381	*999-S-038-3-Z02

NOTES: VALID UNLESS OTHERWISE SPECIFIED
 1. CONNECTOR TO BE SHIPPED WITH TPA IN PRE-LOAD POSITION AS SHOWN IN SECTION Z-Z.

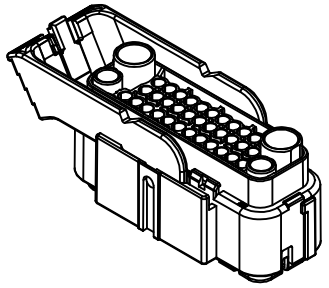
② 2. ALL TEXT TO BE CLEARLY LEGIBLE AND 1.50MM MIN. HEIGHT. MARKING ORIENTATION MAY BE PARALLEL TO THE LENGTH OF THE PART, AS SHOWN, OR PERPENDICULAR TO THE LENGTH OF THE PART.

DATE CODE DESCRIPTION:
 -1st THROUGH 3rd DIGIT = "DAY#" OF THE CALENDAR YEAR. (EXAMPLE FEB. 3rd = '034')
 -LAST DIGIT = LAST DIGIT OF CALENDAR YEAR. (EXAMPLE: 2000 = '0')
 SERIAL NUMBER DESCRIPTION:
 -FIRST CHARACTER "M." = ASSEMBLY MACHINE NUMBER
 -FOLLOWING NUMBER STARTS AT "00001" AND IS RESET FOR EACH NEW "DAY#".
 MOLEX PART NUMBER:
 - SEE TABLE

3. DIMENSIONS NOT SHOWN CAN BE OBTAINED FROM THE ASSOCIATED MODEL.
4. GENERAL:
 a. APPLICATION SPECIFICATION SEE: AS-31380-001
 -CONTAINS: PRODUCT INTRODUCTION, PRODUCT SUMMARY, HARNESS ASSEMBLY, CONNECTOR MATING, AND SERVICE INSTRUCTIONS.
 -DESIGNED TO MATE WITH DEVICE AS SPECIFIED IN THE MATING INTERFACE DRAWINGS CHART.
 *DENOTES DRAWINGS THAT CAN BE ACCESSED AT <<http://ewcap.uscarteams.org/>>.
- b. PRODUCT SPECIFICATION SEE: PS-31380-100
 CONTAINS: PRODUCT INTRODUCTION, PRODUCT SUMMARY, RATINGS (CURRENT AND TEMPERATURE), TERMINALS, WIRE DIAMETER RANGE, PRODUCT VALIDATION, AND PRODUCT DEVIATIONS.
- c. PACKAGING SPECIFICATION PER MOLEX DRAWING: PK-31300-550
- d. PARTS MUST BE IN COMPLIANCE TO MOLEX CHEMICAL SUBSTANCES FOR PRODUCTS AND PACKAGING SPECIFICATION: QEHS-699000-300
- e. DATA MUST BE SUBMITTED UNDER THE MOLEX PART NUMBER TO IMDS (COMPANY ID#13255)
5. DESIGN - MATERIALS:
 a. SEE BOM TABLE IN SD-31380-0002
6. DESIGN - GEOMETRY:
 a. THE 3-D CAD DATA IS BASIC (WITHOUT TOLERANCE) AND MASTER FOR THIS PART WITH THE EXCEPTION OF UNDERLINED DIMENSIONS. DIMENSIONAL INFORMATION NOT SHOWN ON THIS DRAWING IS DEFINED BY THE DATA FILE AT ITS LATEST REVISION.
 b. GEOMETRIC DIMENSIONS AND TOLERANCES PER ASME Y14.5M-2009
 c. EDGES AND UNDIMENSIONED DETAILS PER ISO13715
 d. CORNERS SHOWN AS SHARP TO BE R 0.2 MAX.
 e. VISUAL DEFECTS SHALL MEET COSMETIC STANDARD PS-45499-002 (Class B).
7. MUST BE USED WITH WIRE SHIELD - MOLEX PART NUMBER 31382-1001. WIRE SHIELD SHIPPED SEPARATELY.



31381 SERIES



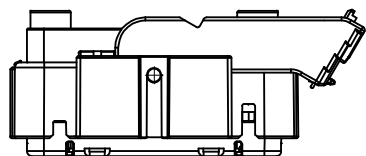
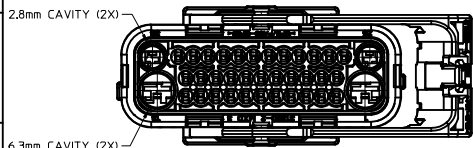
31380 SERIES

INSPECTION NUMBER LOG	
LAST NUMBER: 2	A
ADDED:	INITIAL RELEASE
REMOVED:	

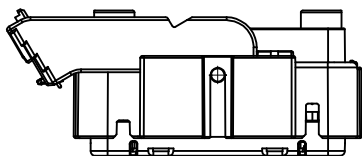
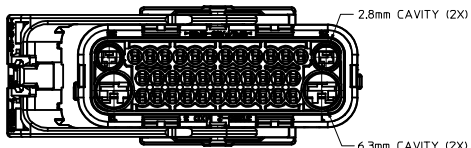
ENTER DESCRIPTION EEC NO: UAU2014-1972 DRWNAAPROFFITT 2014/06/26 CHKOKRIZZI 2014/06/27 APPR:VKOSHY 2014/06/30	QUALITY SYMBOLS ▽=0 ▽=0 ▽=0	GENERAL TOLERANCES (UNLESS SPECIFIED)		DIMENSION STYLE		DRAWN BY DATE APROFFITT 2014/06/26 CHECKED BY DATE APPROVED BY DATE VKOSHY 2014/06/30	SCALE 1.5:1 DESIGN UNITS METRIC THIRD ANGLE PROJECTION
		mm		MM ONLY			
		INCH					
		4 PLACES ±.--- ±.---					
3 PLACES ±.--- ±.---				MATERIAL NO.		DOCUMENT NO. SD-31380-0001 SHEET NO. 1 OF 4	
2 PLACES ±0.13 ±.---				SEE NOTE 5a.			
1 PLACE ±0.25 ±.---				THIS DRAWING CONTAINS INFORMATION THAT IS PROPRIETARY TO MOLEX INCORPORATED AND SHOULD NOT BE USED WITHOUT WRITTEN PERMISSION			
0 PLACE ±.--- ±.---				DRAFT WHERE APPLICABLE MUST REMAIN WITHIN DIMENSIONS			

SHEET DESCRIPTION

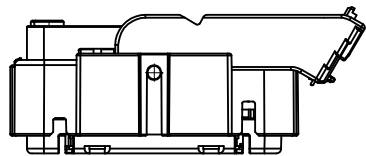
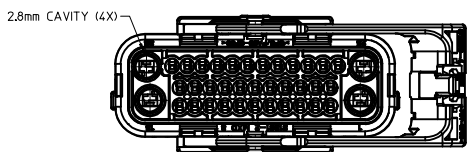
CONFIGURATIONS



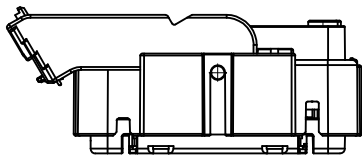
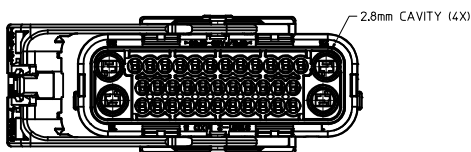
31380-10XX
TYPE II HARNESS ASSEMBLY
COUNTERCLOCKWISE LEVER THROW



31380-11XX
TYPE II HARNESS ASSEMBLY
CLOCKWISE LEVER THROW



31381-10XX
TYPE I HARNESS ASSEMBLY
COUNTERCLOCKWISE LEVER THROW

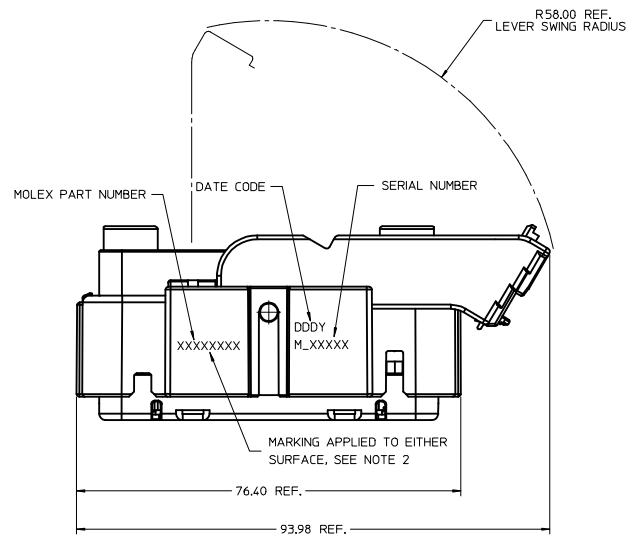
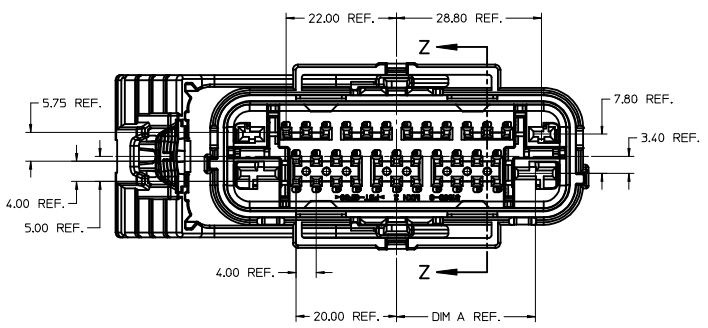
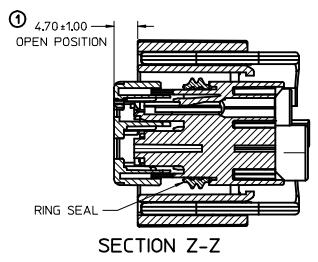
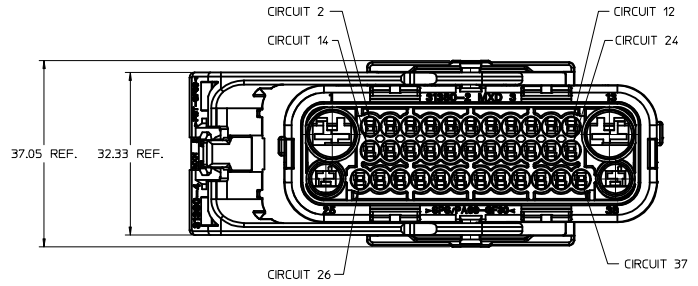


31381-11XX
TYPE I HARNESS ASSEMBLY
CLOCKWISE LEVER THROW

ENTER DESCRIPTION EC NO: UAU2014-1972 DRAWN BY: APROFF ITT 2014/06/26 CHECKED BY: CHYKORIZZI 2014/06/27 APPR: VKOSHY 2014/06/30 A	QUALITY SYMBOLS ▽=0 ▽=0 ▽=0	GENERAL TOLERANCES (UNLESS SPECIFIED)		DIMENSION STYLE MM ONLY		SCALE 1.5:1	DESIGN UNITS METRIC	THIRD ANGLE PROJECTION		
		4 PLACES ± --- ± ---	3 PLACES ± --- ± ---	2 PLACES ± 0.13 ± ---	1 PLACE ± 0.25 ± ---	0 PLACE ± --- ± ---	ANGULAR ± 1 °	DRAWN BY: APROFF ITT DATE: 2014/06/26	CHECKED BY: [blank] DATE: [blank]	TITLE USCAR 38 WAY HYBRID RCPT SEALED ASSEMBLY
		DRAFT WHERE APPLICABLE MUST REMAIN WITHIN DIMENSIONS		SEE NOTE 5a.		APPROVED BY: VKOSHY DATE: 2014/06/30	MATERIAL NO. [blank]	DOCUMENT NO. SD-31380-0001	SHEET NO. 2 OF 4	
		THIS DRAWING CONTAINS INFORMATION THAT IS PROPRIETARY TO MOLEX INCORPORATED AND SHOULD NOT BE USED WITHOUT WRITTEN PERMISSION								

SHEET DESCRIPTION
RECEPTACLE CONNECTOR ASSEMBLY

CHARTED DIMENSIONS	
SERIES	DIMENSION
31380	A
31381	27.58
	27.90

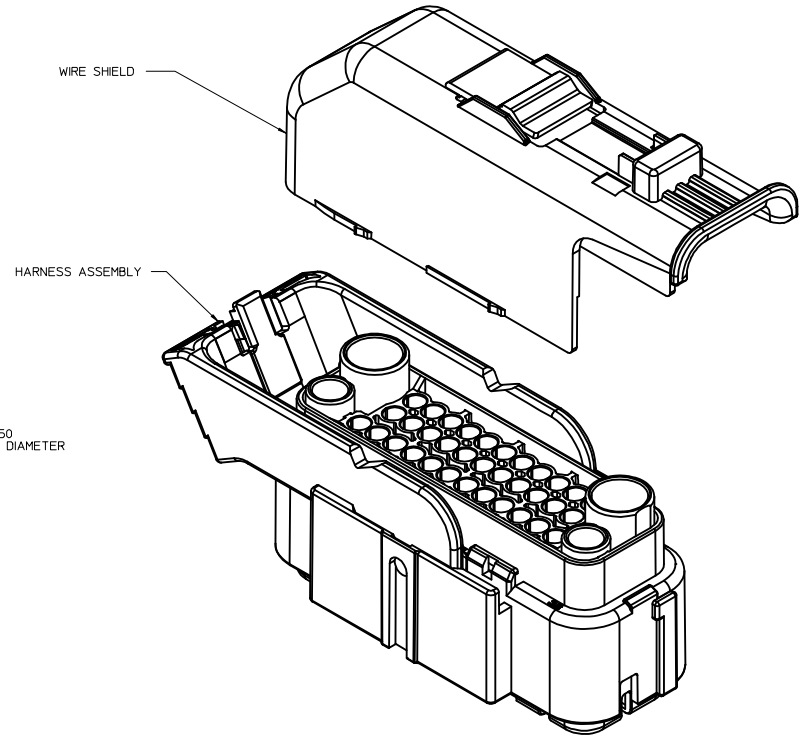
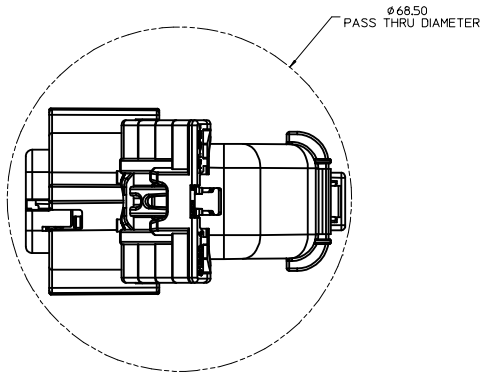
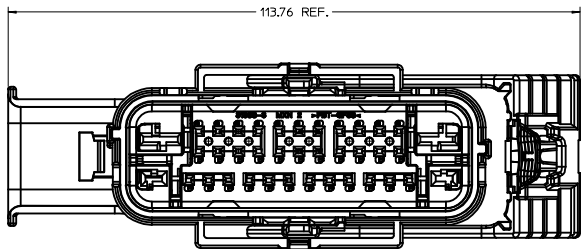


ENTER DESCRIPTION EC NO: UAU2014-1972 DRW/APPROF/ITT CHY/KCR/IZZ APPR/VKOSHY 2014/06/26 2014/06/27 2014/06/30	QUALITY SYMBOLS ∇=0 ∇=0 ∇=0 ∇=0	GENERAL TOLERANCES (UNLESS SPECIFIED)		DIMENSION STYLE MM ONLY		SCALE 2:1	DESIGN UNITS METRIC	THIRD ANGLE PROJECTION	
		4 PLACES ± --- ± ---	3 PLACES ± --- ± ---	2 PLACES ± 0.13 ± ---	1 PLACE ± 0.25 ± ---	0 PLACE ± --- ± ---	DRAWN BY APPROF/ITT	DATE 2014/06/26	TITLE USCAR 38 WAY HYBRID RCPT SEALED ASSEMBLY
		ANGULAR ± 1 °		DRAFT WHERE APPLICABLE MUST REMAIN WITHIN DIMENSIONS		APPROVED BY VKOSHY		DATE 2014/06/30	MATERIAL NO. SEE NOTE 5a.
		SEE NOTE 5a.		DOCUMENT NO. SD-31380-0001		SHEET NO. 3 OF 4		THIS DRAWING CONTAINS INFORMATION THAT IS PROPRIETARY TO MOLEX INCORPORATED AND SHOULD NOT BE USED WITHOUT WRITTEN PERMISSION	

SHEET DESCRIPTION
WIRE SHIELD

WIRESHIELD NOTES: VALID UNLESS OTHERWISE SPECIFIED

1. GENERAL:
 a. APPLICATION SPECIFICATION SEE: AS-31380-001
 -WIRE SHIELD (MOLEX PART NUMBER 31382-1001) MUST BE USED WITH HARNESS ASSEMBLY
 -WIRE SHIELD SHIPPED SEPARATELY
 -FOR ADDITIONAL INFORMATION SEE THE WIRE SHIELD COMPONENT DRAWING SD-31382-100.



ENTER DESCRIPTION EC NO: UAU2014-1972 DRWNG: APROFF/TT 2014/06/26 CHKDR: R/ZZI 2014/06/27 APPR: VKOSHY 2014/06/30	QUALITY SYMBOLS ∇=0 ∇=0 ∇=0	GENERAL TOLERANCES (UNLESS SPECIFIED)		DIMENSION STYLE MM ONLY		SCALE 2.5:1	DESIGN UNITS METRIC	THIRD ANGLE PROJECTION	
		4 PLACES ± --- ± ---	3 PLACES ± --- ± ---	2 PLACES ± 0.13 ± ---	1 PLACE ± 0.25 ± ---	0 PLACE ± --- ± ---	DRAWN BY DATE APROFF/TT 2014/06/26	CHECKED BY DATE	TITLE USCAR 38 WAY HYBRID RCPT SEALED ASSEMBLY
		ANGULAR ± 1 °		DRAFT WHERE APPLICABLE MUST REMAIN WITHIN DIMENSIONS		APPROVED BY DATE VKOSHY 2014/06/30	MATERIAL NO. SEE NOTE 5a.	DOCUMENT NO. SD-31380-0001	SHEET NO. 4 OF 4
		THIS DRAWING CONTAINS INFORMATION THAT IS PROPRIETARY TO MOLEX INCORPORATED AND SHOULD NOT BE USED WITHOUT WRITTEN PERMISSION							

