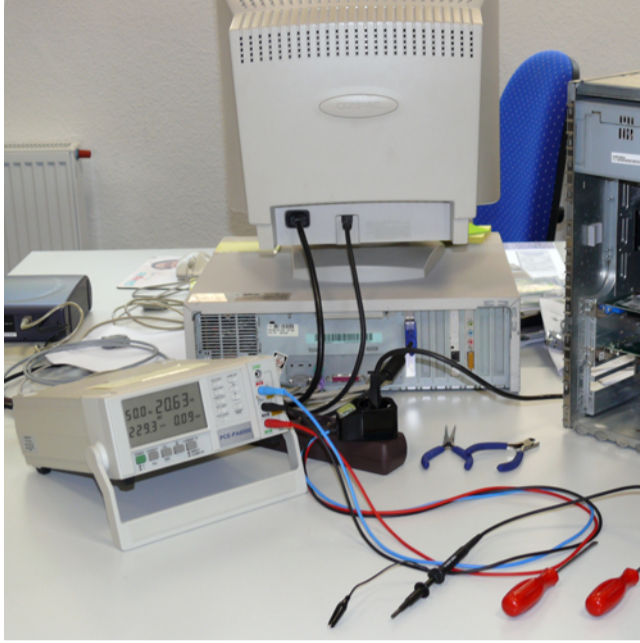


Power Meter PCE-PA6000

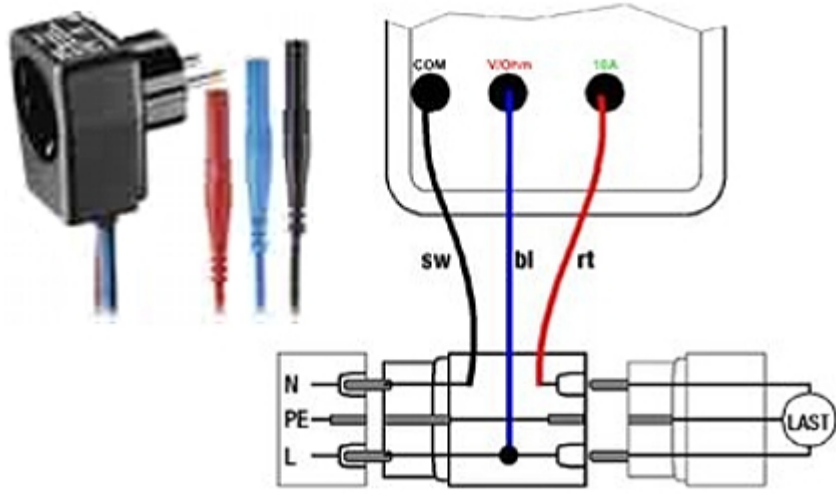


power meter with RS-232 interface and software to analyse power consumption

The PCE-PA6000 power meter is a tabletop device for measuring effective power, apparent power, power factor, energy consumption, current, continuous voltage, resistance and frequency. The power meter also offers the possibility to connect industrial current converters with a transmission relation of 100/5A or 1000/5A. Its large 93 x 52mm LCD is easy to read and provides a variety of results, including Watts, $\cos\phi$, ACV and ACA. With the optional PCE-PA ADP current adaptor with ground wire (up to 16ACA) it can safely and quickly measure and analyse with the help of the power meter. Measurement of current and power can be done directly with test cables that come with the device or indirectly using the clamps. The device has an RS-232 interface, and software* to analyse results and transfer data to a computer. This makes it the ideal device for any workshop or for measuring power to determine faults in devices.

*Soft-lut-usb software is available in the accessories tab

- Multimeter function
- Measurement of direct current connecting a sensor head or current clamp
- Measures effective and apparent power
- Measures power factor
- Measures energy consumption (kWh)
- Data hold / Peak hold
- Function Hold / Alarm function High / Low
- Interface RS-232
- Powered by mains adaptor or batteries
- Safety standards: IEC-1010-1; CAT II 600V

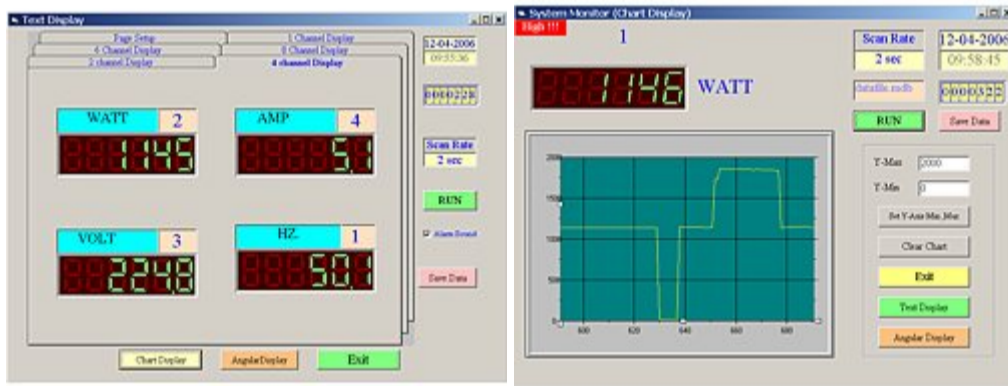


This image shows the optional PCE-PA-ADPcurrent adaptor Ampclamp adaptor for measuring current indirectly up to 1000A without interrupting the conductor.

- Range: 200 / 1000DCA / ACA
- Accuracy: $\pm 1.5 / 2\%$
- DCA zeroreset
- Dimensions: 190 x 64 x 33mm
- Maximum diameter of the conductor: 33.5mm



Ampclamp adaptor for the PCE-PA 6000 power meter



The images above show the software which is used to analyse data and is supplied with the power meter. It can show 4 measurement values at a time and the graphic display can easily store data over an extended period to be analysed later.

Specifications

Technical specifications

Function	Measurement range; Accuracy; Resolution
Measurement of real power (AC, real value of power), direct measurement	1 W ... 6 kW; 1 W; $\pm 1,5\%$ + 1 dgt.
Measurement of real power (AC, real value of power), with adaptor ext. or current converter	1 W ... 999,9 kW; 1 W; $\pm 1,5\%$ + 1 dgt.
Measurement of apparent power (AC)	0.01VA to 9.999kVA; 0.01VA; $\pm 1.5\%$ +1 digit
Power factor (cos φ)	0.00 to 1.00; 0.01; $\pm 1.5\%$ +2 digit
KWh counter	0.001Wh to 9,999kWh; 0.001Wh; $\pm 1\%$ +1 digit
ACV / DCV	0.1V to 600V; 0.1 / 1V; $\pm 1\%$ +1 digit
ACA eff/rms DCA eff/rms	direct maximum 10A; 10mA, with induction head max. 1,000A; 1A; $\pm 1\%$ +1 digit
ACA with clamps	up to 2,000A (depending on clamps)
Frequency	10.0 to 999Hz; 0.1Hz; 1% +1 digit
Ohms	1 Ω to 19.99k Ω ; 1 / 10 Ω ; $\pm 1\%$ +1 digit
Display	93 x 52mm multi functional LCD
Operating conditions	max. 80% r.h. / 0 to 50°C / 32 to 122°F
Power	6 AA batteries or mains adaptor
Dimensions	280 x 210 x 90 mm / 11 x 8.2 x 3.5 in
Weight	1,600 g / 56.4 oz

Examples of use

More information

Manual



More product info



Similar products



Subject to change