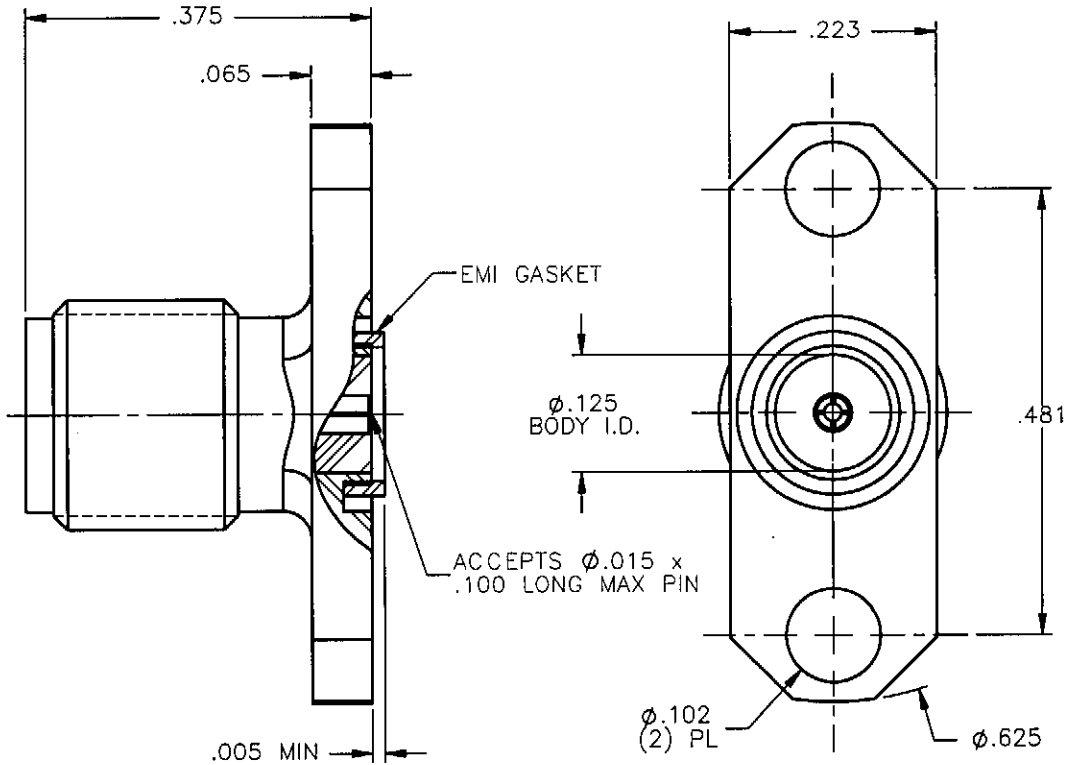
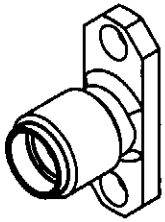


REVISIONS			
REV.	DESCRIPTION	DATE	APPROVED
A	INITIAL RELEASE	07/21/08	A.D.M.



NOTES:


MATERIALS:

1. BODY = STAINLESS STEEL PER ASTM A582, ALLOY 303, CONDITION "A".
2. INSULATOR = VIRGIN WHITE TEFLON PER ASTM D1710, GRADE 1, TYPE I, CLASS "B".
3. CONTACT = BERYLLIUM COPPER PER ASTM B196, ALLOY C17300, TEMPER TD04.
4. EMI GASKET = CONDUCTIVE SILVER/SILICONE ELASTOMERS 70 DUROMETER.

FINISHES:

1. BODY = PASSIVATE PER QQ-P-35, TYPE VI.
2. CONTACT = GOLD PLATE PER MIL-G-45204, TYPE II, CLASS 1, GRADE C, OVER .00010 TO .00020 STRESS FREE SULFAMATE NICKEL PER QQ-N-290.

Property of Radiall Incorporated  
This document cannot be reproduced or  
communicated to a third party without prior  
written permission of RADIALL Incorporated.

UNLESS OTHERWISE SPECIFIED DIMENSIONS ARE IN INCHES TOLERANCES ON		DWN: A.D.M.	DATE 07/21/08	 <b>APPLIED ENGINEERING PRODUCTS</b> 104 John W. Murphy Dr. New Haven, CT 06513 a RADIALL company	
DECIMAL	ANGLE	CHKD: G.L.	DATE 07/21/08		
		APVD: J.M.	DATE 07/21/08	<b>SMA STRAIGHT JACK 2 HOLE FLANGE MOUNT SOCKET RECEPTACLE</b>	
REFERENCE:		MATERIALS & FINISHES: SEE NOTES			
ORIGINATED: A.D.M. DATE: 07/21/08				DWG NO. 9044-9513-001	REV A
		SCALE 5:1		THIRD ANGLE PROJECTION	SHEET 1 OF 1

9044-9513-001