

ITEM	PART#	DESCRIPTION	QTY	UOM
A	9508050	KK 156 Crimp Housing 05 Ckt	1	PC
B	8500105	KK 156 TERMINAL CRIMP 18-24 AWG TIN	5	PC
C		PAPER PRINTED PAPER WHITE	1	PC

FROM	TO	DESCRIPTION	COLOR
A1	--	1X18AWG MPPE BK UL11028	BLACK
A2	--	1X18AWG MPPE BK UL11028	BLACK
A3	--	1X18AWG MPPE BK UL11028	BLACK
A4	--	1X18AWG MPPE BK UL11028	BLACK
A5	--	1X18AWG MPPE BK UL11028	BLACK

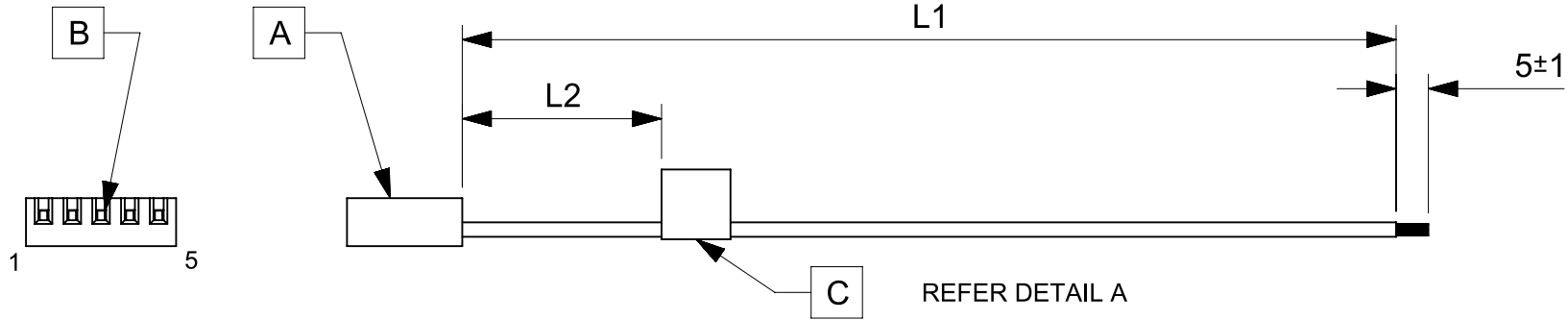


TABLE			
PART NUMBER	L1	L2 (REF)	TITLE
2196651052	150±4	50	KK 3.96 R-S 5ckt 150mm disc Sn
2196651053	300±4	50	KK 3.96 R-S 5ckt 300mm disc Sn
2196651054	600±6	50	KK 3.96 R-S 5ckt 600mm disc Sn

NOTES

- Connector view shown is from mating side.
- Label text must be 2mm max. in height with Arial font.
- Label must be wrapped in Flag type on a single cable.
- Free ends must be stripped, twisted & tinned. The length of tinning is 5±1mm. Tinning Dia must be 1.6 mm Max.

MOLEX P/N
MOLEX
BATCH WK/YR

DETAIL A

REVISION			
DATE	REV	DESCRIPTION	CHANGER
2021/12/27	A	INITIAL RELEASE	SAIKIG

THIS DRAWING CONTAINS INFORMATION THAT IS PROPRIETARY TO MOLEX ELECTRONIC TECHNOLOGIES, LLC AND SHOULD NOT BE USED WITHOUT WRITTEN PERMISSION										
FUNCTIONAL SYMBOLS FA = 0 FE = 0 FP = 0	DIMENSION UNITS	SCALE	CURRENT REV DESC:							
	mm	NTS	GENERAL TOLERANCES (UNLESS SPECIFIED)							
	ANGULAR TOL ± °		EC NO: 691733							
DIVISIONAL SYMBOLS	4 PLACES ±	±	DRWN: SAIKIG 2021/12/29							
	3 PLACES ±	±	CHK'D: MNARAYAN01 2022/01/19							
	2 PLACES ±	±	APPR: MNARAYAN01 2022/01/19							
	1 PLACE ±	±	INITIAL REVISION:							
0 PLACES ±	±	DRWN: SAIKIG 2021/12/29								
DRAFT WHERE APPLICABLE MUST REMAIN WITHIN DIMENSIONS		THIRD ANGLE PROJECTION	DRAWING	SERIES	MATERIAL NUMBER	CUSTOMER	DOCUMENT NUMBER	DOC TYPE	DOC PART	REVISION
			A4-SIZE	219665	SEE TABLE	GENERAL MARKET	2196651052	PSD	000	A
										SHEET NUMBER
										1 OF 1

DOCUMENT STATUS	P1	RELEASE DATE	2022/01/19	05:16:36
-----------------	----	--------------	------------	----------