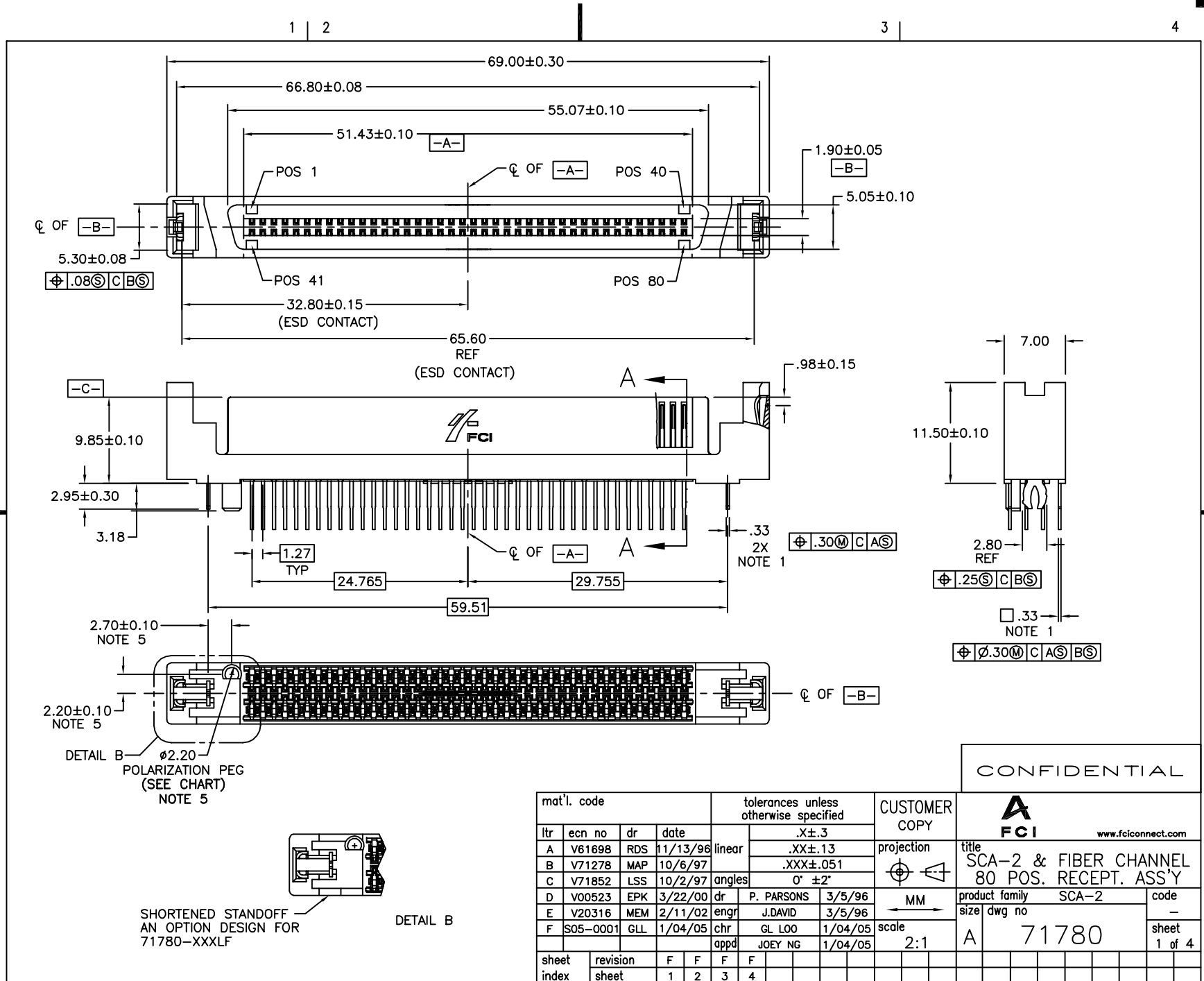


Tous droits strictement reserves. Reproduction ou communication a des tiers interdite sous quelque forme que ce soit sans autorisation ecrite du propriétaire. Propriete de c FCI. Droits de reproduction FCI.

All rights strictly reserved. Reproduction or issue to third parties in any form whatever is not permitted without written authority from the proprietor. Property of FCI. Copyright FCI.



CONFIDENTIAL

mat'l. code				tolerances unless otherwise specified			CUSTOMER COPY		 www.fciconnect.com	
ltr	ecn no	dr	date	linear	.X±.3			projection	title	
A	V61698	RDS	11/13/98		.XX±.13				SCA-2 & FIBER CHANNEL	
B	V71278	MAP	10/6/97	angles	.XXX±.051			 MM	size	
C	V71852	LSS	10/2/97		0° ±2°				80 POS. RECEPT. ASS'Y	
D	V00523	EPK	3/22/00	dr	P. PARSONS	3/5/96	scale	product family		
E	V20316	MEM	2/11/02	engr	J.DAVID	3/5/96		SCA-2		
F	S05-0001	GLL	1/04/05	chr	GL L00	1/04/05	2:1	code		
				appd	JOEY NG	1/04/05		-		
sheet index	revision sheet	F	F	F	F			size		
		1	2	3	4			A 71780		
								sheet 1 of 4		

cage code 22526

ACAD

PDM: Rev:F

STATUS: Released

Printed: Nov 24, 2005

Tous droits strictement reserves. Reproduction ou communication a des tiers interdite sous quelque forme que ce soit sans autorisation ecrite du proprietaire. Propriete de c FCI. Droits de reproduction FCI.

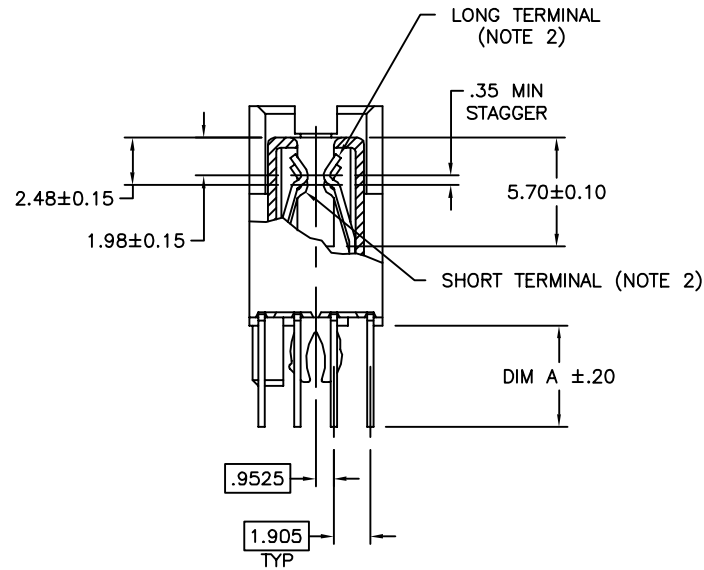


All rights strictly reserved. Reproduction or issue to third parties in any form whatever is not permitted without written authority from the proprietor. Property of FCI. Copyright FCI.

1 | 2

3 |

4



SECTION A-A

CONFIDENTIAL

mat'l. code		tolerances unless otherwise specified		CUSTOMER COPY		www.fciconnect.com	
ltr	ecn no	dr	date	linear	.X±.3	projection	
F					.XX±.13		
					.XXX±.051		
				angles	0° ±2°		
		dr	P. PARSONS	3/5/96	MM	product family	SCA-2
		enfr	J. DAVID	3/5/96	←	size	dwg no
		chr	GL L00	1/04/05	scale	A	71780
		appd	JOEY NG	1/04/05	3:1		code
sheet index	revision sheet						sheet 2 of

cage code 22526

1 | 2

3 |

4

ACAD

PDM: Rev:F

STATUS: Released

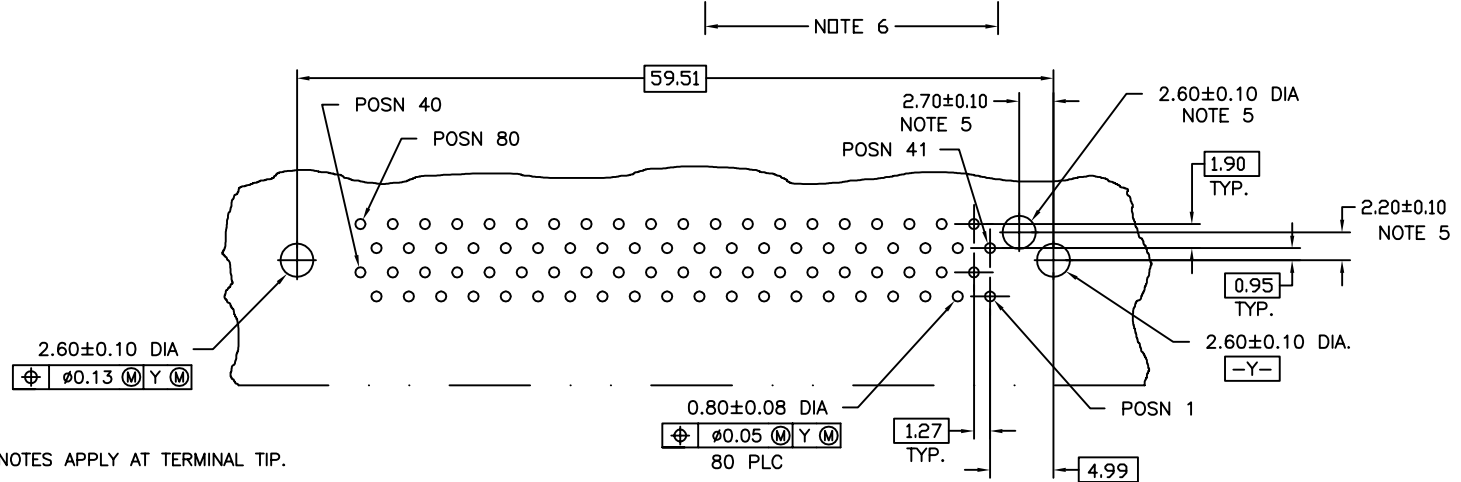
Printed: Nov 24, 2005

Tous droits strictement reserves. Reproduction ou communication a des tiers interdite sous quelque forme que ce soit sans autorisation ecrite du proprietaire. Propriete de c FCI. Droits de reproduction FCI.

FCI

All rights strictly reserved. Reproduction or issue to third parties in any form whatever is not permitted without written authority from the proprietor. Property of FCI. Copyright FCI.

PRODUCT NO.	"A" DIM	POLARIZATION PEG	PLATING	RECOMMENDED P.C. BOARD THICKNESS	PRODUCT NO.	PLATING
71780-001	2.79	YES		1.57mm (0.062")	71780-101	NOTE ⑥
-002	2.79	NO			-102	
-003	3.18	YES	NOTE ④	2.36mm (0.093")	-103	
-004	3.18	NO			-104	
-005	4.06	YES		3.18mm (0.125")	-105	
71780-006	4.06	NO			71780-106	



RECOMMENDED PC BOARD MOUNTING DIMENSIONS COMPONENT SIDE

NOTES :

- ① TRUE POSITION NOTES APPLY AT TERMINAL TIP.
- ② CONTACTS IN POSITIONS 2 THRU 35, 44 AND 47 THRU 74 ARE SHORT TERMINALS. CONTACTS IN POSITIONS 1, 36 THRU 43, 45, 46, AND 75 THRU 80 ARE LONG TERMINALS.
- ③ RAW MATERIALS:
HOUSING: HTN, UL94V-0, COLOR: BLACK
CONTACTS: PHOSPHOR-BRONZE
- ④ CONTACT PLATING: 30u" (0.76um) MIN. GXT PLATING OVER 50u" (1.27um) NICKLE MIN. UNDERPLATE IN CONTACT AREA. 100u" (2.54um) MIN. TIN-LEAD PLATING OVER 50u" (1.27um) MIN. NICKLE UNDERPLATE IN P.C. BOARD LEG AREA. 50u" (1.27um) MIN. NICKLE UNDERPLATE OVER REMAINING AREA.
- ⑤ DIMENSIONS DO NOT APPLY TO CONNECTOR STYLES WITHOUT POLARIZATION PEG. (SEE CHART)
- ⑥ CONTACT PLATING: 30u" (0.76um) MIN. GOLD PLATING OVER 50u" (1.27um) NICKLE MIN. UNDERPLATE IN CONTACT AREA. 100u" (2.54um) MIN. TIN-LEAD PLATING OVER 50u" (1.27um) MIN. NICKLE UNDERPLATE IN P.C. BOARD LEG AREA. 50u" (1.27um) MIN. NICKLE UNDERPLATE OVER REMAINING AREA.

CONFIDENTIAL

mat'l. code		tolerances unless otherwise specified		CUSTOMER COPY		 www.fciconnect.com	
ltr	ecn no	dr	date	linear	.X±.3	projection	
F				linear	.XX±.13	MM	
				angles	.XXX±.051	scale	
				dr	P. PARSONS 3/5/96	2:1	title SCA-2 & FIBER CHANNEL 80 POS. RECEPT. ASS'Y
				engr	J. DAVID 3/5/96		product family SCA-2
				chr	GL L00 1/04/05		code
				appd	JOEY NG 1/04/05		size
sheet index	revision sheet						dwg no
							A 71780
							sheet 3 of

cage code 22526

ACAD

PDM: Rev:F

STATUS: Released

Printed: Nov 24, 2005

Tous droits strictement reserves. Reproduction ou communication a des tiers interdite sous quelque forme que ce soit sans autorisation ecrite du proprietaire. Propriete de c FCI. Droits de reproduction FCI.



All rights strictly reserved. Reproduction or issue to third parties in any form whatever is not permitted without written authority from the proprietor. Property of FCI. Copyright FCI.

PRODUCT NO.	"A" DIM	POLARIZATION PEG	PLATING	RECOMMEDED P.C. BOARD THICKNESS	PRODUCT NO.	PLATING
71780-001LF	2.79	YES	NOTE ⑧	1.57mm (0.062")	71780-101LF	NOTE ⑦
-002LF	2.79	NO			-102LF	
-003LF	3.18	YES		2.36mm (0.093")	-103LF	
-004LF	3.18	NO			-104LF	
-005LF	4.06	YES		3.18mm (0.125")	-105LF	
71780-006LF	4.06	NO			71780-106LF	

NOTE 7

NOTES :

- ⑦ CONTACT PLATING: 30u" (0.76um) GOLD PLATING OVER 50u" (1.27um) NICKLE UNDERPLATE IN CONTACT AREA. 100u" (2.54um) - 200u"(5.08um) TIN PLATING OVER 50u" (1.27um) -100u" (2.54um) NICKEL UNDERPLATE IN P.C. BOARD LEG AREA. 50u" (1.27um) NICKEL UNDERPLATE OVER REMAINING AREA.
- ⑧ CONTACT PLATING: 30u" (0.76um) GXT PLATING OVER 50u" (1.27um) NICKLE UNDERPLATE IN CONTACT AREA. 100u" (2.54um) - 200u"(5.08um) TIN PLATING OVER 50u" (1.27um) -100u" (2.54um) NICKEL UNDERPLATE IN P.C. BOARD LEG AREA. 50u" (1.27um) NICKEL UNDERPLATE OVER REMAINING AREA.
- ⑨ THE HOUSING WILL WITHSTAND EXPOSURE TO 260° C PEAK TEMPERATURE FOR 10 SECONDS IN A WAVE SOLDER APPLICATION WITH A 1.57MM THICK CIRCUIT BOARD.
- ⑩ THIS PRODUCT MEETS EUROPEAN UNION DIRECTIVES AND OTHER COUNTRY REGULATIONS AS DESCRIBED IN GS-22-008.

CONFIDENTIAL

mat'l. code		tolerances unless otherwise specified		CUSTOMER COPY		www.fciconnect.com						
ltr	ecn no	dr	date	linear	.X±.3	projection						
F					.XX±.13							
					.XXX±.051							
				angles	0° ±2°		title SCA-2 & FIBER CHANNEL 80 POS. RECEPT. ASS'Y					
				dr	P. PARSONS			3/5/96	product family	SCA-2	code	-
				engr	J. DAVID			3/5/96	size	dwg no	-	
				chr	GL L00			1/04/05	scale	A		71780
				appd	JOEY NG	1/04/05	2:1					
sheet index	revision sheet											

cage code 22526

ACAD