

LOC		DIST		REVISIONS			
P	LTR	DESCRIPTION		DATE	DWN	APVD	
A	66						
		BI	SEE PRODUCTION DRAWING	30APR2010	LG	GB	

SEE PRODUCTION DRAWING
 1852714


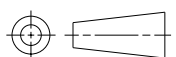
20

RELEASED FOR PUBLICATION

THIS DRAWING IS UNPUBLISHED.

BY TYCO ELECTRONICS CORPORATION. ALL RIGHTS RESERVED.

© COPYRIGHT 20

DIMENSIONS: IN		DWN L. GROSS	30APR2010	MATERIAL	-	FINISH	-
TOLERANCES UNLESS OTHERWISE SPECIFIED:		CHK G. BAILEY	30APR2010	 Tyco Electronics Harrisburg, PA 17105-3608			
		APVD N. DEMING	30APR2010				
0 PLC ±-		PRODUCT SPEC		NAME SIDE FEED HDM APPLICATOR, SMALL TERMINAL			
1 PLC ±-		-					
2 PLC ±-		APPLICATION SPEC		SIZE	CAGE CODE	DRAWING NO	RESTRICTED TO
3 PLC ±-		-		A4	00779	C-1852714	-
4 PLC ±-		WEIGHT		SCALE			
ANGLES ±-		-		-		SHEET	OF
		CUSTOMER DRAWING		-		REV	BI