

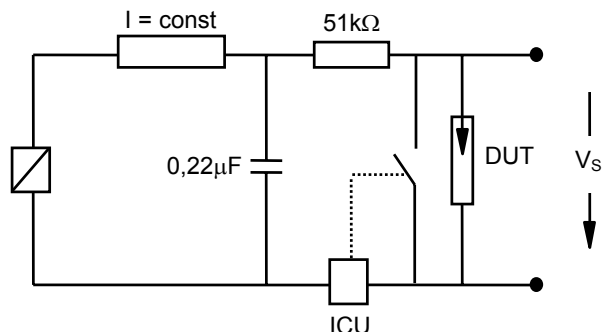
Nominal breakdown voltage V_N	800	V
Initial values ²⁾		
Static breakdown voltage V_S ¹⁾		
First ignition value $V_{S, FTE}$ after 24 hours in darkness	≤ 950	V
Following ignition values $V_{S, FIV}$	704 ... 896	V
Electrical life time ³⁾		
Breakdown voltage V_B		
First ignition value $V_{B, FTE}$ after 24 hours in darkness	≤ 1000	V
Ignition time t_i at V_0 during life	≤ 60	ms
Following ignition values $V_{B, FIV}$	680 ... 920	V
Switching operations		
at $-40\text{ }^\circ\text{C}$	200 000	Ignitions
at $+25; 125; 150\text{ }^\circ\text{C}$	400 000	Ignitions
Test circuit parameters		
Open circuit voltage V_0	1000	V
Loading resistance R	68	k Ω
Discharge capacitance C	100	nF
Inductance L	0.5	μH
Discharge peak current I_P	~ 400	A
General technical data		
Max. static breakdown voltage at 100 kV/s	1300	V
Insulation resistance at 100 V	> 100	M Ω
Early ignition values below 680 V	≤ 1	%
Breakdown time	≤ 50	ns
Maximum switching frequency	400	Hz
Maximum loading current	50	mA
Weight	~ 2	g
Marking, blue	EPCOS 800 WWY O 800 - Nominal voltage WW - Calendar week of production Y - Year of production O - Non radioactive	

¹⁾ At delivery AQL 0,65 level II, DIN ISO 2859

²⁾ Page 2, Fig. 1 and 2

³⁾ Page 2, Fig. 3 and 4

Fig. 1: QC- test circuit (100% outgoing inspection)



DUT device under test
 ICU ignition control unit (sensitivity 10 .. 30 µA)
 Discharge current 10 – 20 mA

Fig. 2: Explanation of measurands

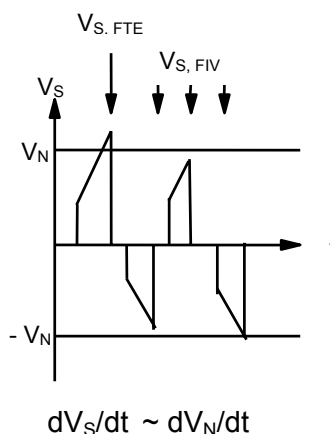


Fig. 3: QC- test circuit (sampling inspection at 25 °C)

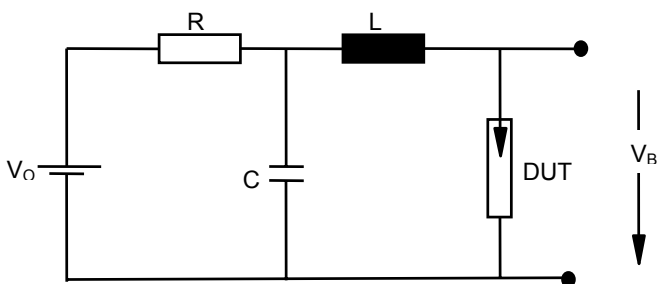
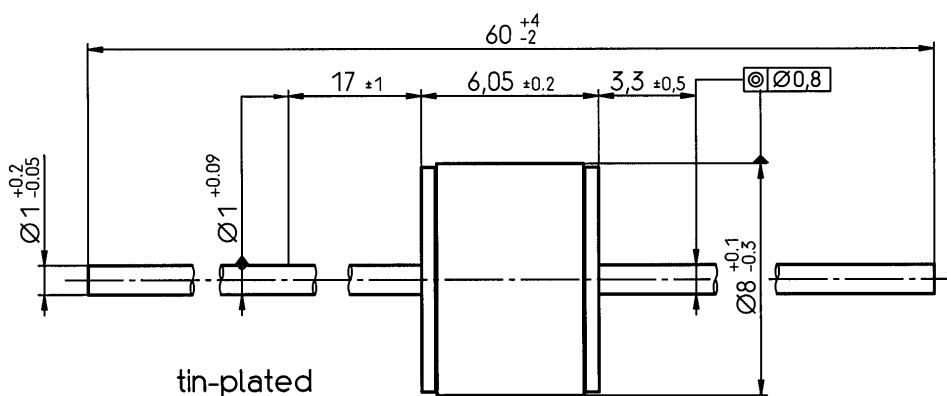
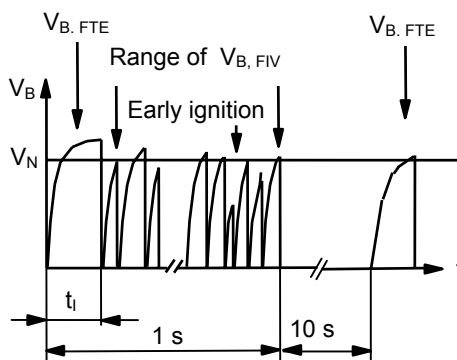


Fig. 4: Explanation of measurands



Not to scale

Dimensions in mm

Non controlled document

© EPCOS AG 2002. Reproduction, publication and dissemination of this data sheet, enclosures hereto and the information contained therein without EPCOS' prior express consent is prohibited.

Purchase orders are subject to the General Conditions for the Supply of Products and Services of the Electrical and Electronics Industry recommended by the ZVEI (German Electrical and Electronic Manufacturers' Association), unless otherwise agreed.