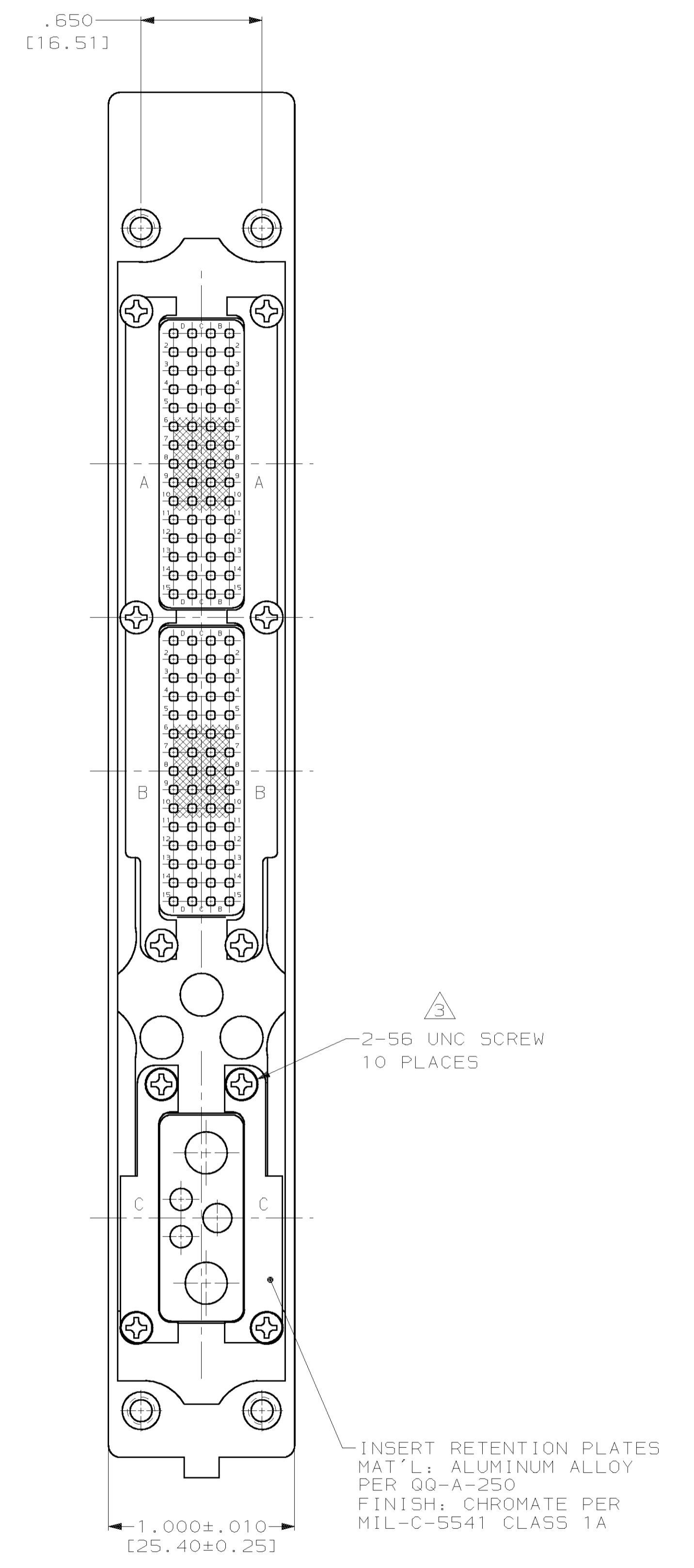
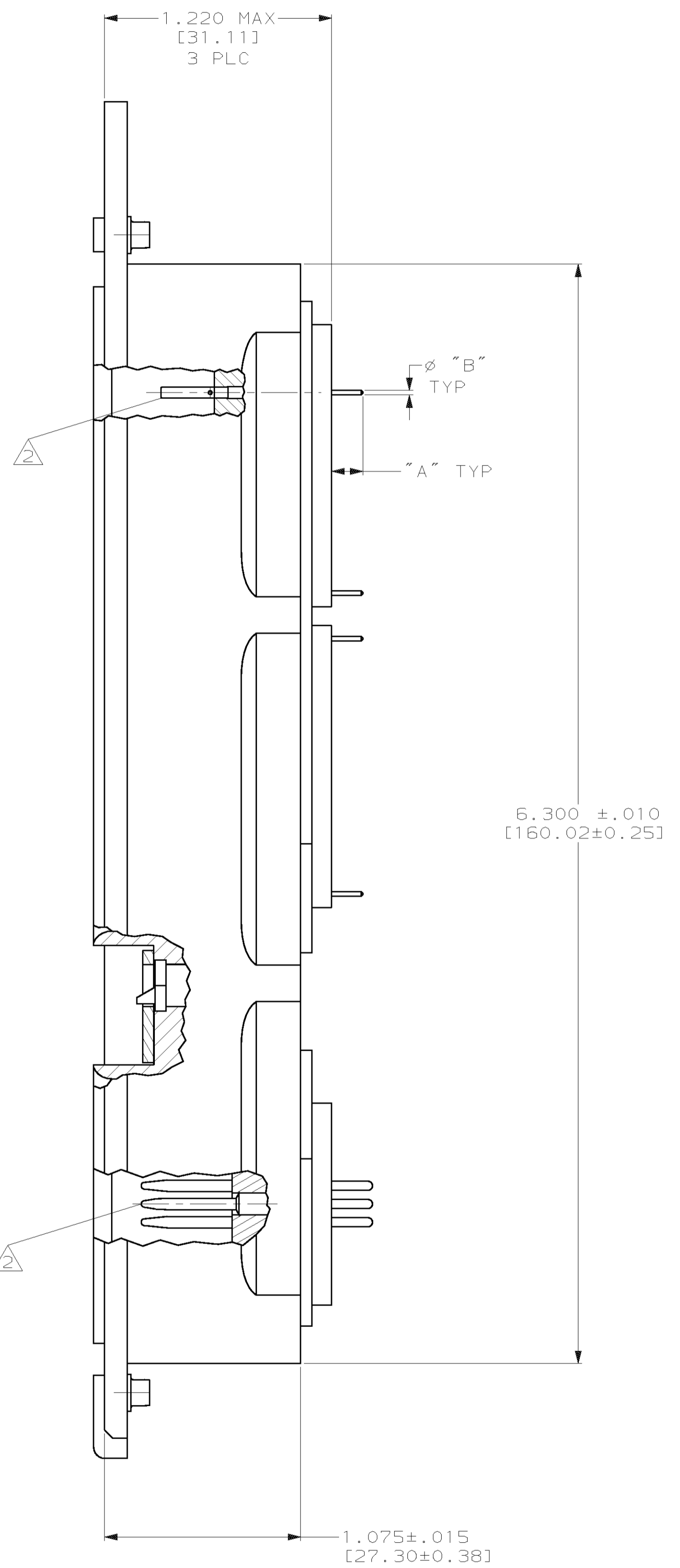
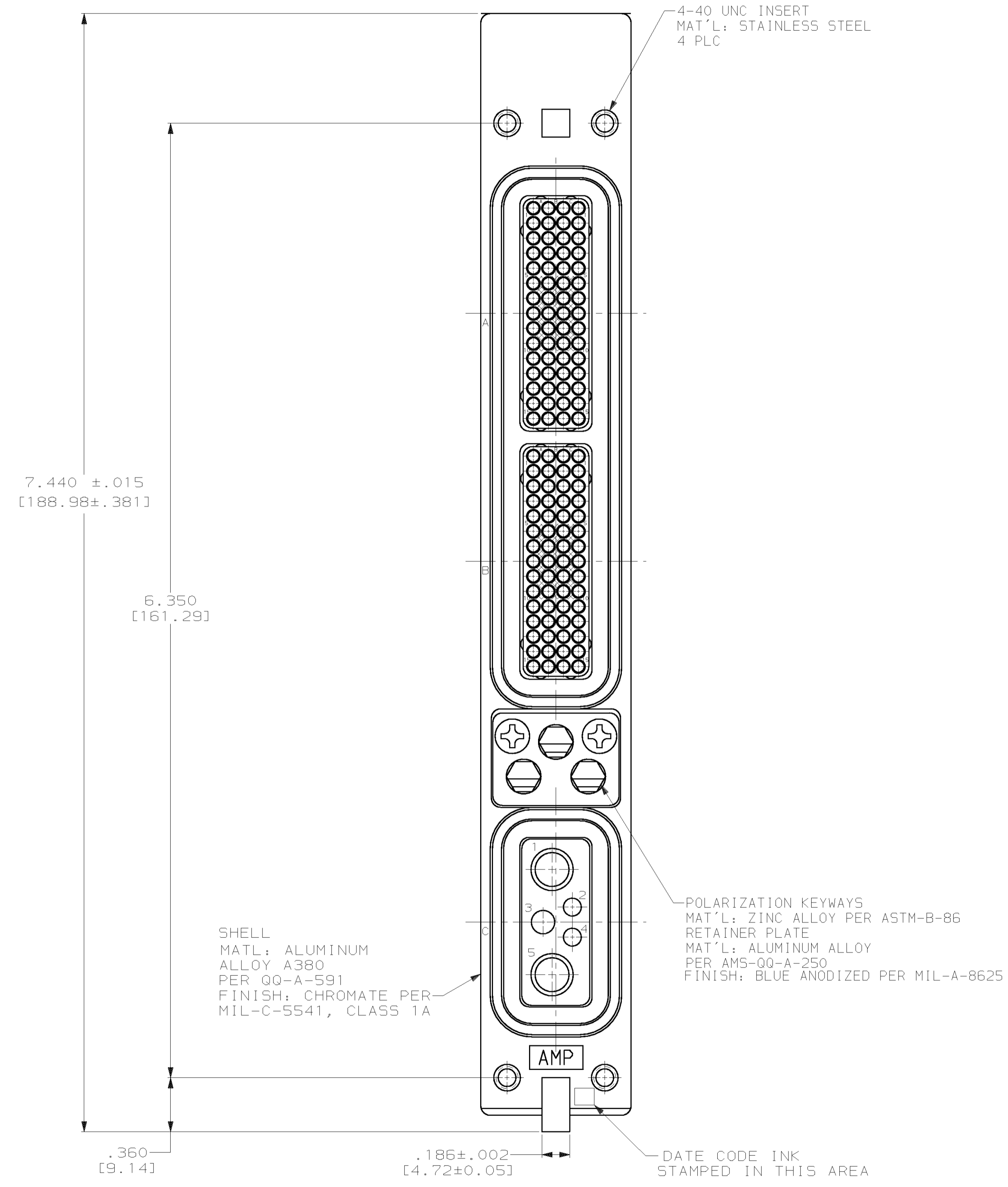


CONTACT PART NO	QTY	DESCRIPTION	NOTE	"A"	"B"	SIZE
211431-2	120	SIZE 22 SOCKET F.R.	ASSEMBLED IN 60 POS INSERTS	.171±.015 [4.34±0.38]	.025±.001 [0.64±0.03]	22
1-448139-1	2	SIZE 16 PIN CONTACT	ASSEMBLED IN	.224±.015 [5.69±0.38]	.050±.002 [1.27±0.05]	16
448140-2	1	SIZE 12 PIN CONTACT	5C2 INSERT	.224±.015 [5.69±0.38]	.081±.002 [2.06±0.05]	12

DF	AO	REV	DESCRIPTION	DATE	DMN	APPV
		0	RELEASED PER 0600-6283-97	4-97	CT	AS
		A	REV PER 0600-6363-97	03-02-98	JB	AS
		B	REV PER 0600-6802-97	03SEP98	TT	SG
		C	REV PER 063D-0042-02	3-03	JMK	SG



- PARTS MEET THE REQUIRMENTS OF THE ARINC 600 SPECIFICATION.
- THE CONTACTS NOTED IN THE TABLE ARE INCLUDED WITH THE CONNECTOR.
- RETAINER PLATE SCREWS ARE COUNTERSINK STYLE.
- DUST COVER INCLUDED WITH CONNECTOR.
- POLARIZING KEYS ASSEMBLED IN POSITION "01".
- INSERT LOCATED IN CAVITY "C", HAS A CAPACITY FOR TWO SIZE 16 PIN CONTACTS AND ONE SIZE 12 PIN CONTACT ONLY. DUE TO MODIFICATIONS, THE TWO SIZE 5 CAVITIES WILL NOT RETAIN CONTACTS.

NOTES	REAR RELEASE 13C2 PIN C MODULE	FRONT RELEASE 60 SOCKET B MODULE	FRONT RELEASE 60 SOCKET A MODULE	443956-1 PART NUMBER
AMP Incorporated Harrisburg, PA 17105-3608				
RECEPTACLE ASSEMBLY, SIZE ONE, ARINC 600, FRONT RELEASE				
DIMENSIONS: INCHES (mm)		TOLERANCES UNLESS OTHERWISE SPECIFIED:		SIZE: A1
∅ .005		∅ .005		CAGE CODE: 00779
.0005		.0005		DRAWING NO: 443956
.001		.001		SCALE: 2:1
.002		.002		SHEET: 1 OF 1
.005		.005		REV: C
.010		.010		
.020		.020		
.050		.050		
.100		.100		
.150		.150		
.200		.200		
.300		.300		
.500		.500		
1.000		1.000		
2.000		2.000		
5.000		5.000		
10.000		10.000		
20.000		20.000		
50.000		50.000		
100.000		100.000		
.001		.001		
.002		.002		
.005		.005		
.010		.010		
.020		.020		
.050		.050		
.100		.100		
.200		.200		
.500		.500		
1.000		1.000		
2.000		2.000		
5.000		5.000		
10.000		10.000		
20.000		20.000		
50.000		50.000		
100.000		100.000		