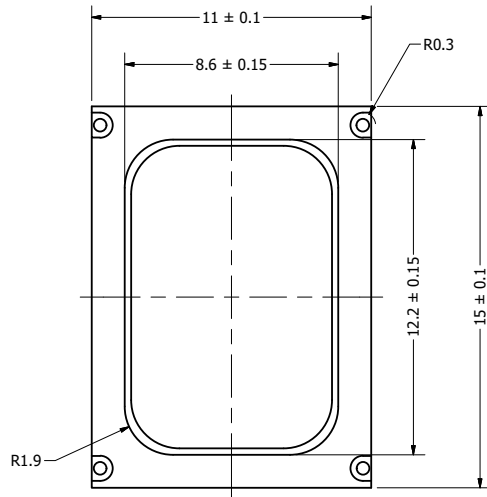
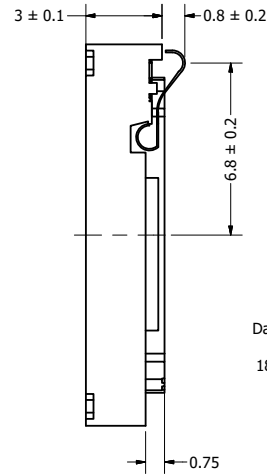


Part Number:	<b>SM150808-9</b>	
	DRAWN CJ	5/30/2018
Description:	CHECKED C.H.	5/30/2018
	APPROVED C.E.	5/30/2018
	Dynamic Speaker	
This document contains data proprietary to DB Unlimited. Any use or reproduction, in any form, without prior written permission of DB Unlimited is prohibited. All terms and conditions can be found at <a href="http://www.dbunlimitedco.com">www.dbunlimitedco.com</a>		

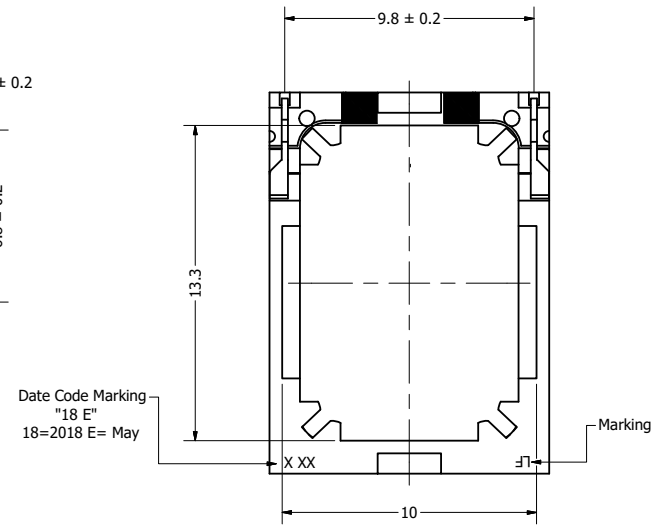
Top View



Side View



Bottom View



Items	Specifications	Conditions
Sound Pressure Level	92	dB (@ 10cm)
Resonant Frequency	850	Hz
Frequency Range	500 ~ 10,000	Hz
Nominal Power	0.7	W
Max. Power	1	W
Impedance	8	Ω
Cone Material	Polymer	
Mount Type	Flush Mount	
IP Rating	IPX7	
Storage Temperature	-40 ~ +85	°C
Operating Temperature	-30 ~ +70	°C
Weight	1.6	g

REVISION HISTORY			
REV	DESCRIPTION	DATE	APPROVED
	Released from Engineering	5/30/2018	C.E.

- NOTES
- 1) All dimensions are in mm unless otherwise noted
  - 2) All tolerances are ± 0.2 mm unless otherwise noted
  - 3) All parts meet RoHS
  - 4) Subject to change or redrawn without notice