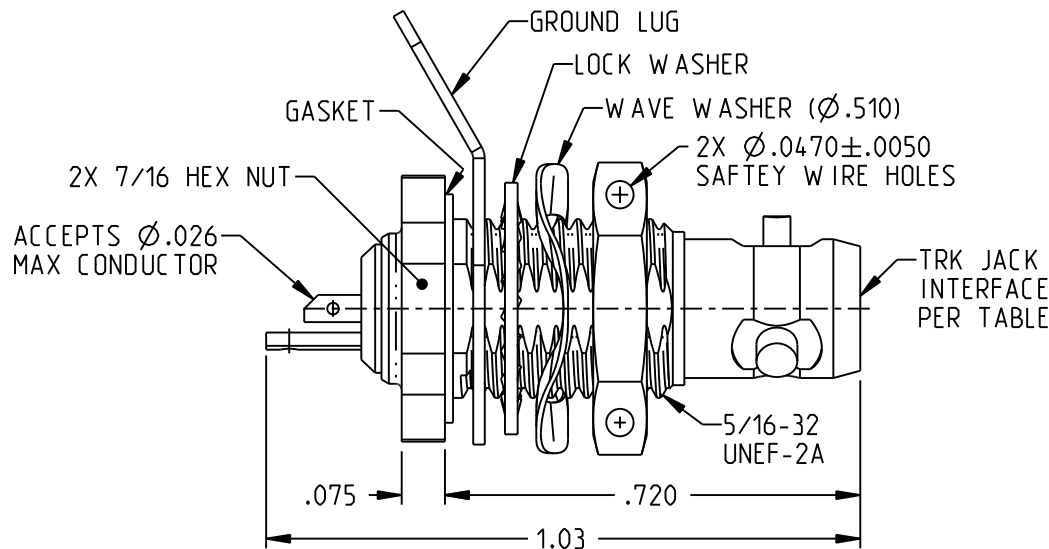
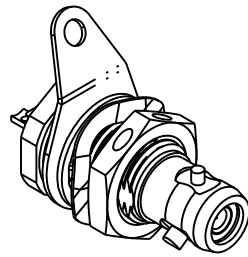
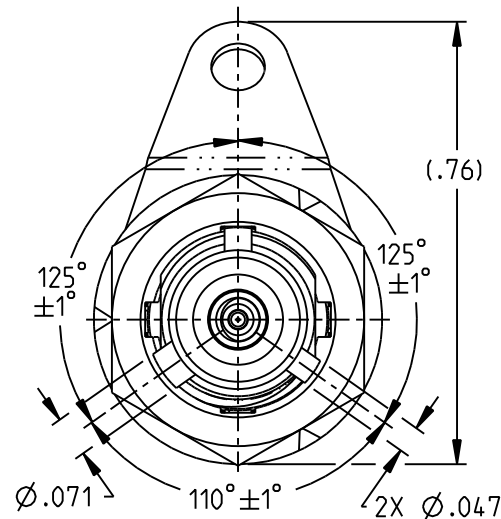


TROMPETER MODEL NUMBER	INTERMEDIATE CONTACT	CENTER CONTACT	TRL JACK INTERFACE PER
BJ450FLP	PIN	SOCKET	SPC-09500-43-45
BJ450FLS	SOCKET	PIN	SPC-09500-43-46
BJ450PP	PIN	SOCKET	SPC-09500-43-45
BJ450PS	SOCKET	PIN	SPC-09500-43-46
BJ450RP	PIN	SOCKET	SPC-09500-43-45
BJ450RS	SOCKET	PIN	SPC-09500-43-46
BJ450WP	PIN	SOCKET	SPC-09500-43-45
BJ450WS	SOCKET	PIN	SPC-09500-43-46

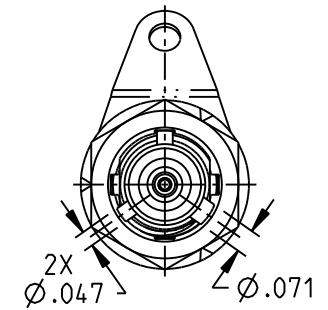
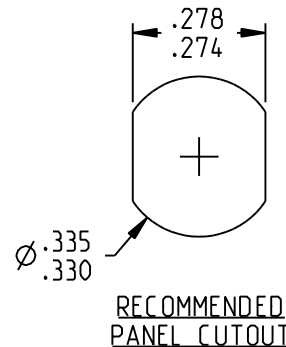


NOTES: UNLESS OTHERWISE SPECIFIED:

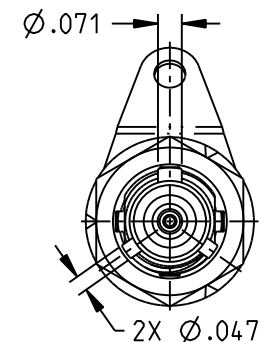
- MATERIAL & FINISH:
  - 1.1 BODY: NICKEL PLATED BRASS
  - 1.2 INSULATOR: PTFE (TEFLON)
  - 1.3 INTERMEDIATE CONTACT: GOLD PLATED BERYLLIUM COPPER
  - 1.4 DIELECTRIC: POM (DELIN) OR PTFE (TEFLON)
  - 1.5 CENTER CONTACT: GOLD PLATED BERYLLIUM COPPER
  - 1.6 MOUNTING HARDWARE: NICKEL PLATED COPPER ALLOY
- ELECTRICAL:
  - 2.1 FREQUENCY (MAX): 500 MHZ
  - 2.2 IMPEDANCE: NON-CONSTANT
- PANEL NUT TORQUE (MAX): 20 INCH POUNDS
- PANEL THICKNESS (MAX): .125
  - 4.1 WITH ONE WAVE WASHER OR ONE LOCKWASHER



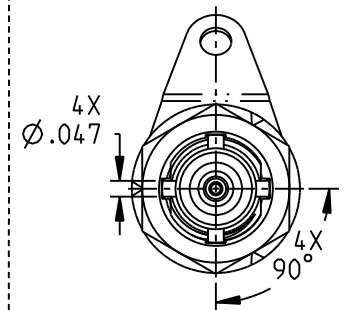
BJ450PS SHOWN



BJ450RP SHOWN



BJ450WP SHOWN



BJ450FLP SHOWN

	3RD ANGLE PROJECTION	TROMPETER	
	RoHS2 <input checked="" type="checkbox"/> 2015/863/EU <small>UNLESS OTHERWISE SPECIFIED UNITS: INCH</small>	Title: TRK BULKHEAD JACK, SOLDER POT	
<small>NOTICE: The information in this drawing is PROPRIETARY and must not be used without the permission of Cinch Connectivity Solutions. It may contain data whose export is restricted. Verify status prior to exporting.</small>	<small>Model No.</small> BJ450XY	<small>Date:</small> 11/17/2022	
<small>INTERPRET DRAWING IN ACCORDANCE WITH ASME Y14.5-2018</small>	Size A DO NOT SCALE DRAWING	.XX ±.02 .XXX ±.010 ANGLES ±2°	Sheet 1 OF 1