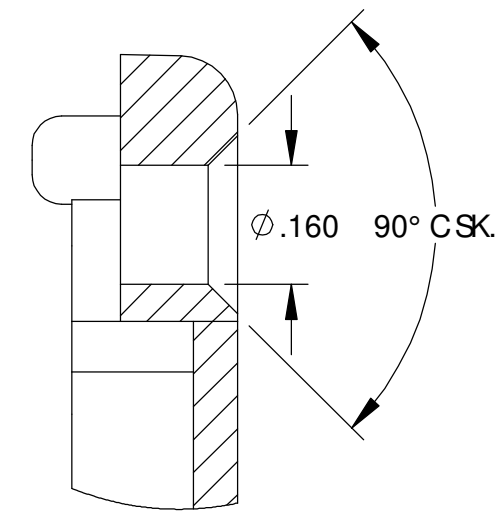


THE INFORMATION CONTAINED IN THIS DRAWING IS THE SOLE PROPERTY OF BUD INDUSTRIES INC. ANY REPRODUCTION IN PART OR WHOLE WITHOUT THE WRITTEN PERMISSION OF BUD INDUSTRIES INC. IS PROHIBITED.

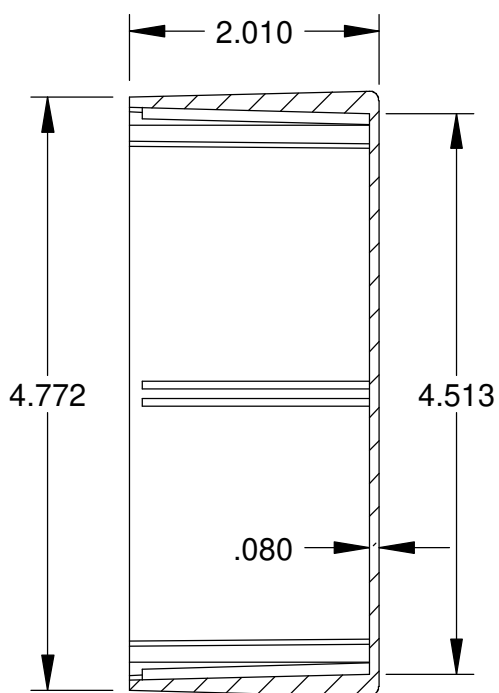
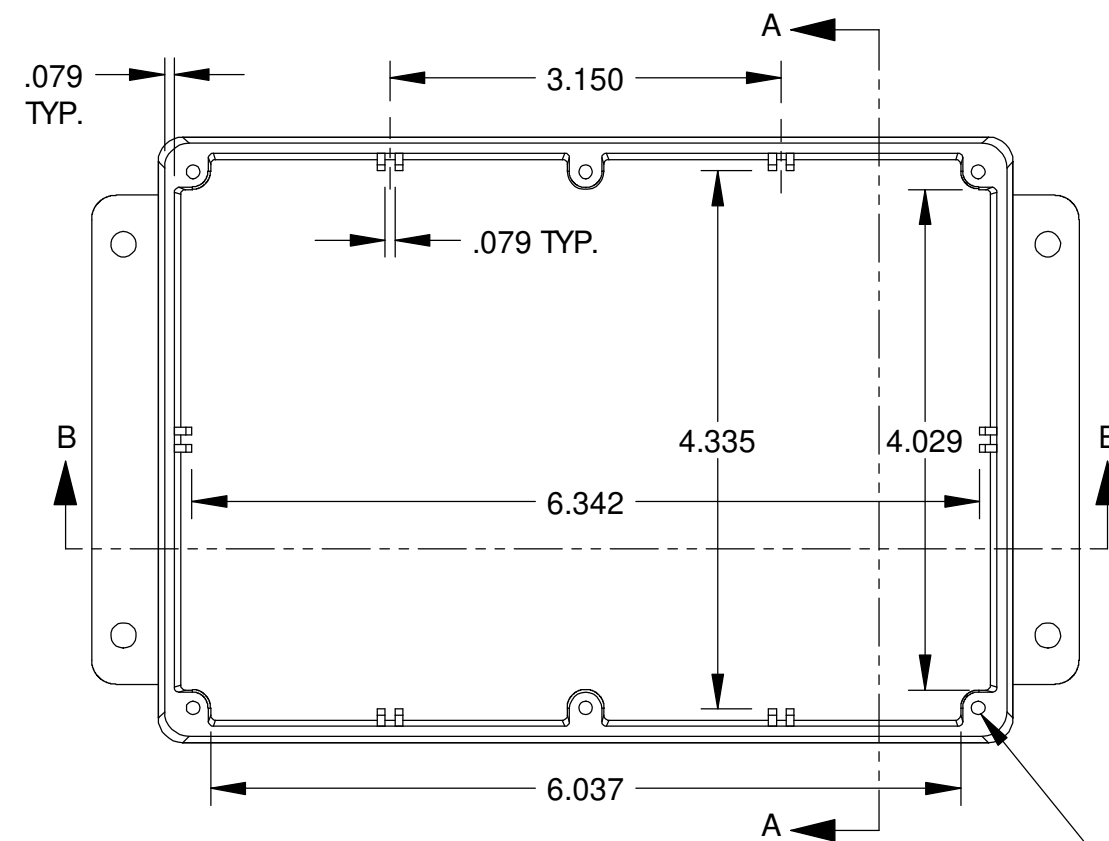
| | |
|----------|-----------|
| DWG. NO. | CN-6709 |
| ISSUE | REVISIONS |

MATERIAL - ALUMINUM ALLOY #ADC-12
 FINISH - NATURAL (CONTACT BUD FACTORY FOR ALTERNATE FINISHES)
 GASKET - RATED IP65 NEOPRENE, SELF-ADHESIVE, 3mm THICK, COLOR BLACK
 SCREWS - STAINLESS STEEL, M3.5 x 12mm LG., CSK HEAD, SELF-THREADING

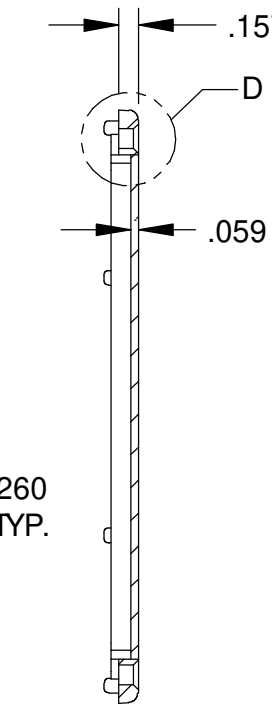
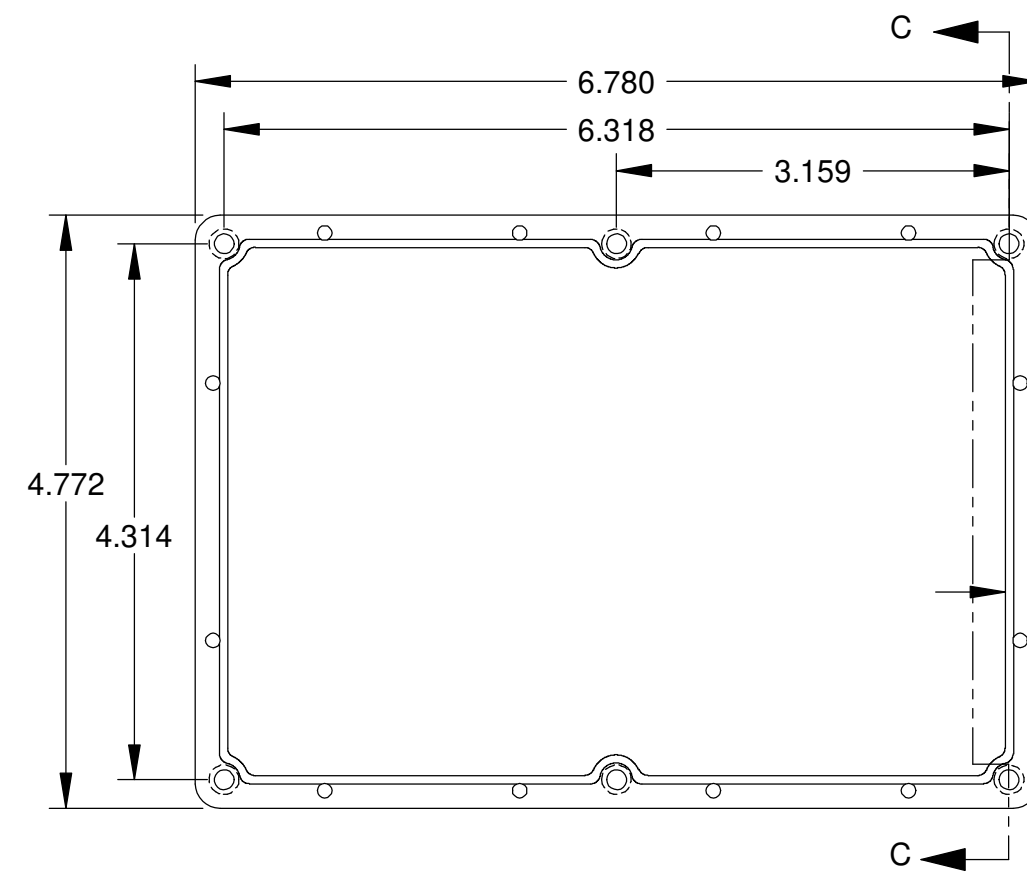
ALL HOLE DIAMETERS HAVE ±.005 TOLERANCE
 ALL OTHER DIMENSIONS HAVE ±.015 TOLERANCE
 ENCLOSURES ARE SHIPPED UNASSEMBLED WITH ALL ITEMS SHOWN.



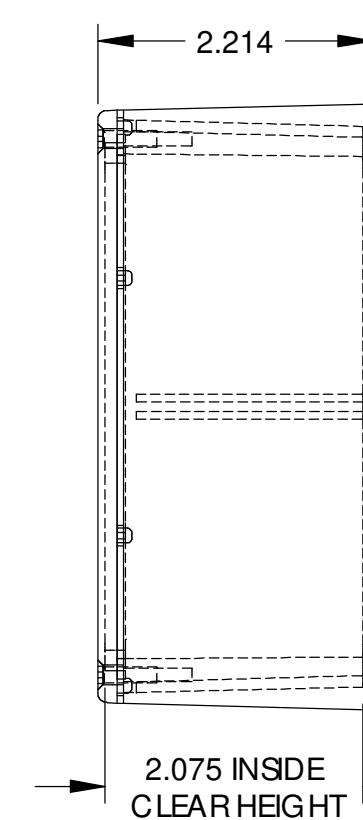
DETAIL D
SCALE 4 : 1



SECTION A-A

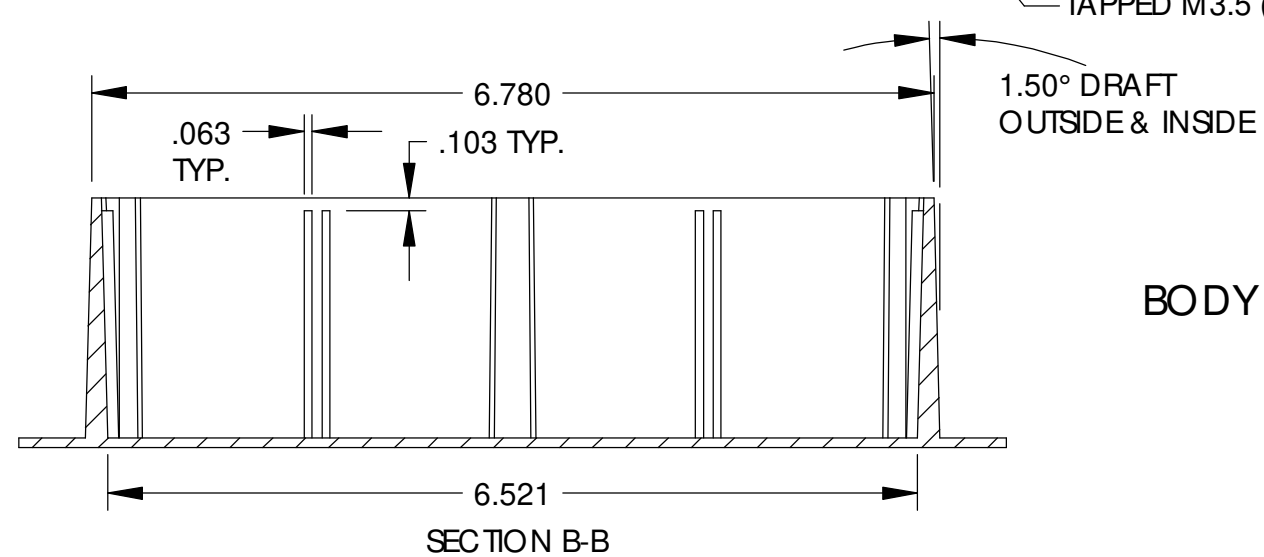


SECTION C-C



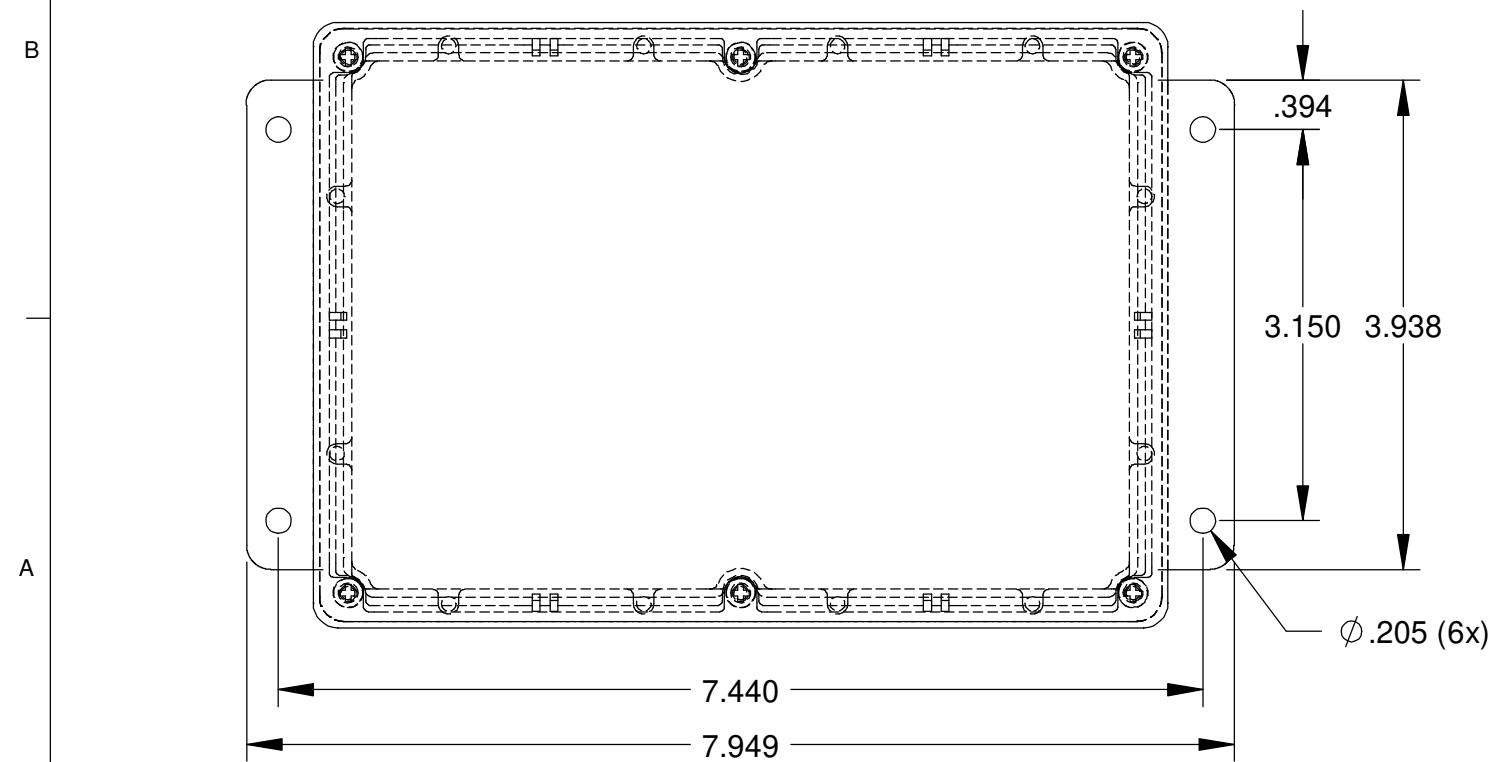
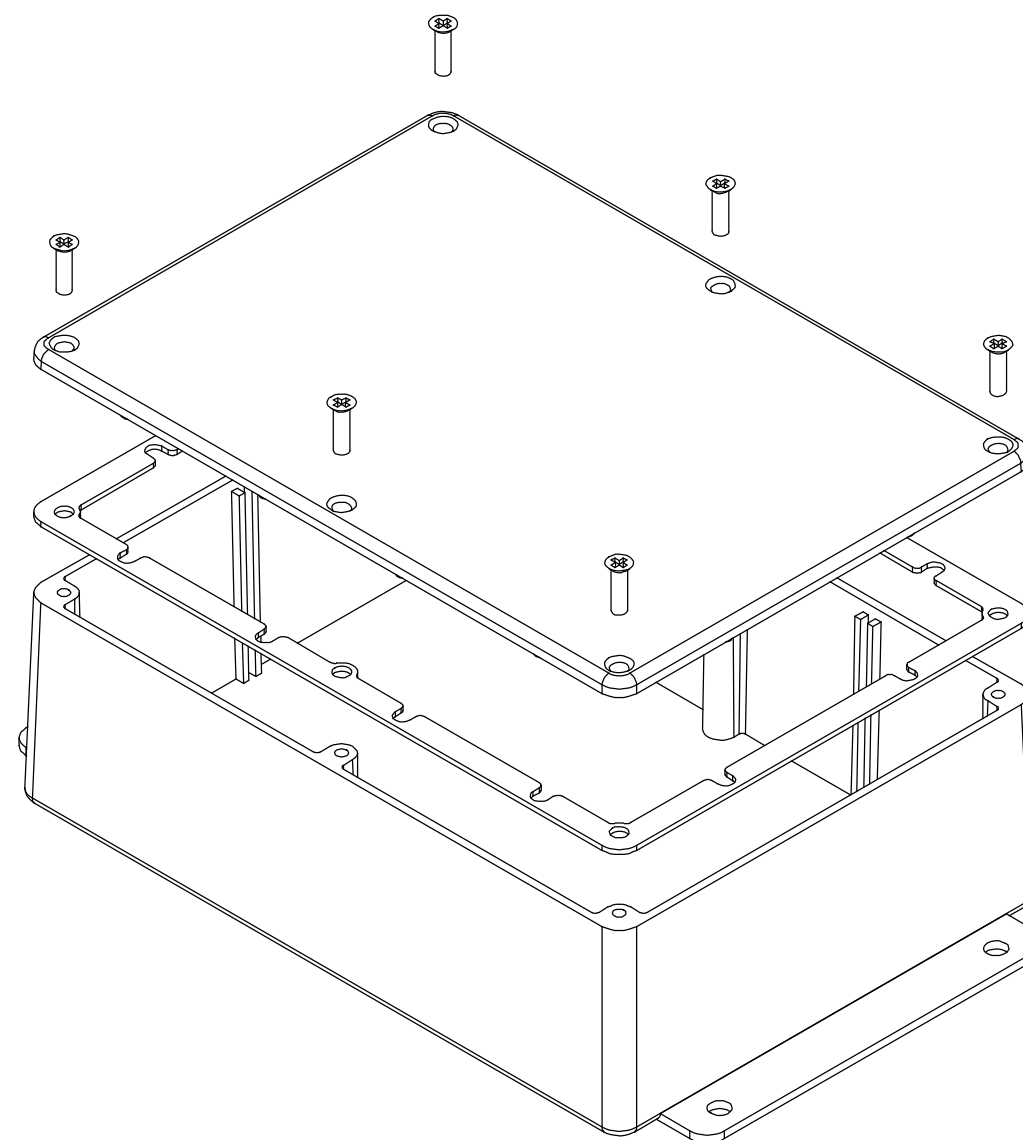
2.075 INSIDE CLEAR HEIGHT

COVER



SECTION B-B

BODY



Ø.205 (6x)

| PARTS LIST | | BUD INDUSTRIES INC. | |
|------------|---------|-----------------------------|----------|
| APPROVALS | DATE | DIE CAST ALUMINUM ENCLOSURE | |
| DRAWN | CHECKED | | |
| DAB | 4-3-06 | CN-6709 | |
| MATERIAL | | SCALE | CAD FILE |
| AS NOTED | | SHEET 1 OF 1 | |
| AS NOTED | | | |

| | |
|------|---------|
| QTY. | USED ON |
| | |

| |
|----------------------|
| DO NOT SCALE DRAWING |
|----------------------|

| | | | |
|----------|----------|------|--|
| DWG. NO. | CN-6709 | REV. | |
| SCALE | CAD FILE | | |