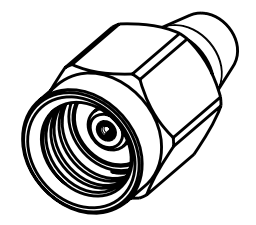
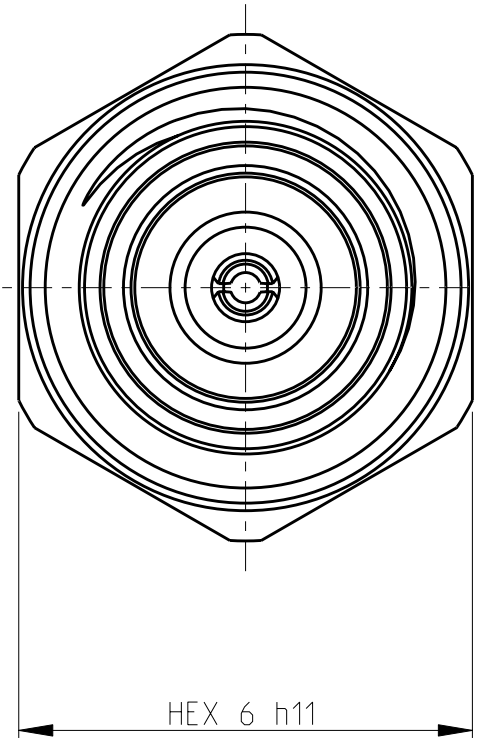
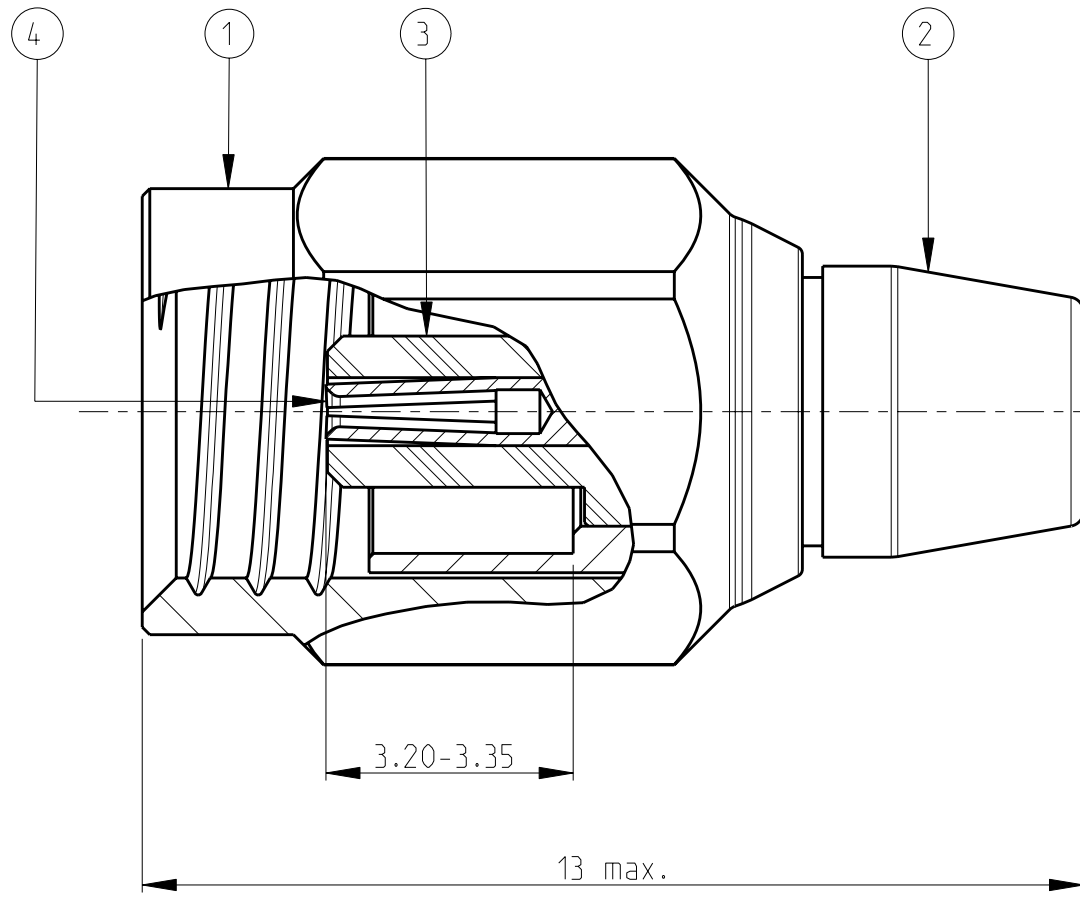


THIS DRAWING IS UNPUBLISHED. RELEASED FOR PUBLICATION 2005  
 © COPYRIGHT 2005 BY TYCO ELECTRONICS CORPORATION. ALL RIGHTS RESERVED.

LOC	DIST	REVISIONS					
		P	LTR	DESCRIPTION	DATE	DWN	APVD
IS	-		B	Released to production	23JAN2006	RLU	DB
			C	Add. 50 Ohm ident mark, changed packaging Q.ty	17FEB2006	RLU	DB
			D	Updated min. Au thickness (note 4 was 0.2µm)	15MAR07	AN	DB
			E	Obsolete PN	19FEB2009	MS	DB



3:1

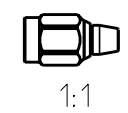
5-1460803-1 △3	1460803-1 △2	4	1	CENTER CONDUCTOR	Brass	min. 0.1µm Au over min 2µm NiP
		3	1	DIELECTRIC	PTFE	-
		2	1	SHELL	Brass	min. 0.1µm Au over min 2µm NiP
		1	1	COUPLING NUT	Brass	min. 0.1µm Au over min 2µm NiP
PART NR	PART NR	ITEM NR	PIECES	DESCRIPTION	MATERIAL	PLATING

1 - COAX CONNECTOR COMPLIES WITH SPEC. CECC 22140, IEC 169-9

△2 ONE PLUG PACKED IN PLASTIC BAG

△3 BULK PACKAGING.

△4 General Tolerances according to DIN ISO 2768-mK



<small>THIS DRAWING IS A CONTROLLED DOCUMENT FOR TYCO ELECTRONICS CORPORATION. IT IS SUBJECT TO CHANGE AND THE CONTROLLING ENGINEERING ORGANIZATION SHOULD BE CONTACTED FOR THE LATEST REVISION.</small>		DWN R. Luppi 28JAN2005 CHK D. Bozzer 28JAN2005 APVD - PRODUCT SPEC 108-71067 APPLICATION SPEC - WEIGHT 1.5 g	<b>Tyco Electronics</b> Tyco Electronics Switzerland - Lugano NAME SMC, PLUG TERMINATOR CHARACTERISTIC IMPEDENCE 50 Ohm
DIMENSIONS: mm 	TOLERANCES UNLESS OTHERWISE SPECIFIED: 0 PLC ± 1 PLC ± 2 PLC ± 3 PLC ± 4 PLC ± ANGLES ±°	SIZE A3 CAGE CODE 00779 DRAWING NO C-1460803	RESTRICTED TO - SCALE 10:1 SHEET 1 OF 1 REV E
MATERIAL -	FINISH -	CUSTOMER DRAWING	