

**Ratings**  
Voltage: 150 V  
Temperature: -40~70 °C

**Conductor**  
Conductor count: 10  
Gauge: 32 AWG 0.04 mm<sup>2</sup>  
Material: Tinned copper strands  
Strand size:  $\varnothing 0.05 \times 19$   
Resistance at 20 °C: 590  $\Omega$  /km Max

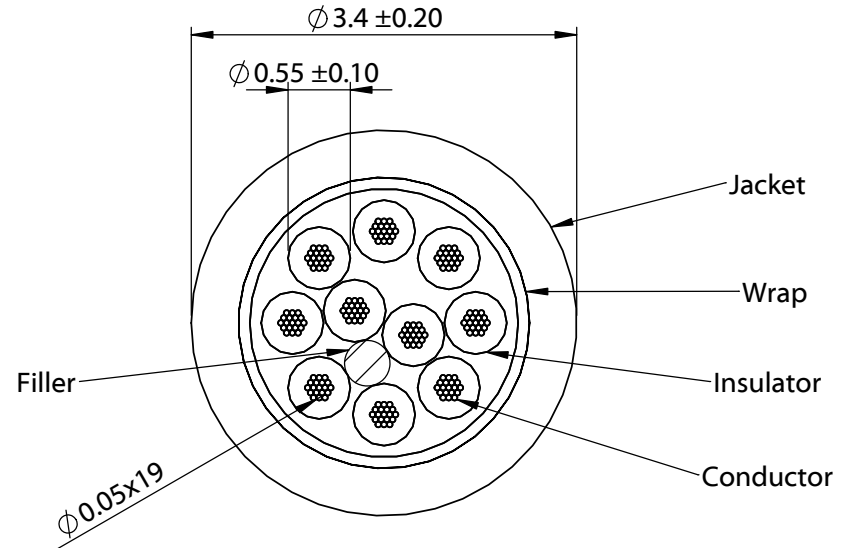
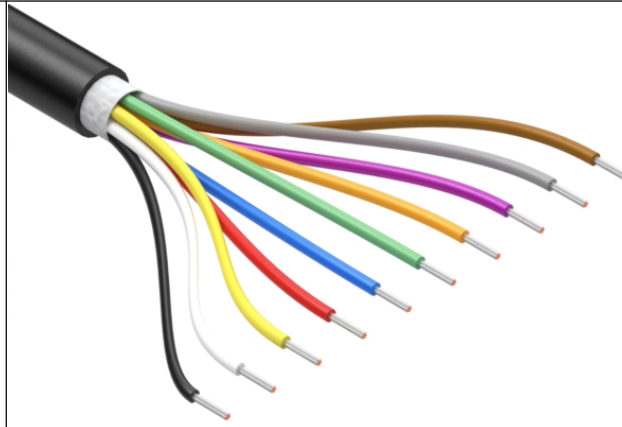
**Insulator**  
Material: HDPE  
Color: red, black, white, yellow, blue, green, orange, purple, gray, brown  
Diameter:  $\varnothing 0.55 \pm 0.10$  mm  
Nominal thickness: 0.15 mm  
Resistance at 20 °C: 100 M $\Omega$  /km Min

**Wrap**  
Material: cotton paper

**Filler**  
Material: aramid fiber

**Outer jacket**  
Material: TPU  
Color: black  
Diameter:  $\varnothing 3.4 \pm 0.20$  mm  
Nominal thickness: 0.50 mm

**Tests**  
Tensile strength: 15 kgf min  
Dielectric test: 1500 V dc for 1 minute without breakdown  
Bend test at 200 g,  $\pm 60^\circ$ , 30 cycles /min: 15,000 cycle minimum



Revision:	Date:	Description:
A	7/9/2022	Initial release

Prepared: **MP** Digitally signed by MP Date: 2022.09.15 14:07:53 -0700

Verified: **PB** Digitally signed by PB Date: 2022.09.20 08:23:44 -0700

Dimensions are in millimeters.  
Tolerances:  
X:  $\pm 0.5$  mm  
X.X:  $\pm 0.3$  mm  
X.XX:  $\pm 0.05$  mm

Notes:  
RoHS compliant  
Jacket meets ISO 10993 Biological Compatibility  
Phthalate and halogen free  
Function test: no open, no short, no intermittent

Description:  
Wire, 10C TS, 32 AWG, 150V, 70C, 3.4 mm, TPU, 75A, WBL

**TENSILITY**

tel 1.541.323.3228 800 877.670.7118  
fax 1.541.323.4202 web tensility.com

Size: A Part number: 30-02701

Scale: 15:1 Sheet 1 of 1