

NOTES:

1. MATERIAL:
CAGE: NICKEL PLATED COPPER ALLOY, THICKNESS 0.25mm
SPRING FINGER: STAINLESS STEEL.
2. PRESS FIT LEGS 3.05 LONG -
1.57 MINIMUM PCB THICKNESS FOR SINGLE SIDED USE
3. OPTIONAL LIGHT PIPE ASSEMBLY AVAILABLE
4. PORTS ARE DESIGNED FOR SFP+ TRANSCEIVERS AND ARE COMPATIBLE WITH SFP TRANSCEIVERS
5. THIS PART MEETS THE RESTRICTION OF HAZARDOUS SUBSTANCES IN ELECTRICAL AND ELECTRONIC EQUIPMENT (ROHS) DIRECTIVE (2002/95/EC)

FUNCTIONAL SYMBOLS	THIS DRAWING CONTAINS INFORMATION THAT IS PROPRIETARY TO MOLEX ELECTRONIC TECHNOLOGIES, LLC AND SHOULD NOT BE USED WITHOUT WRITTEN PERMISSION		CURRENT REV DESC: SEE REVISION TABLE		molex		
	DIMENSION UNITS	SCALE					
$\nabla_A = 0$	mm	3:1			SFP+ 1X2 PCI CAGE ASSY W/ PRESS-FIT LEGS, SUS SPRING FINGERS		
$\nabla_C = 0$	GENERAL TOLERANCES (UNLESS SPECIFIED)						
$\nabla_P = 0$	ANGULAR TOL ± 1.0°				PRODUCT CUSTOMER DRAWING		
DIVISIONAL SYMBOLS	4 PLACES	±	EC NO: 707270	2022/04/13			
	3 PLACES	±	DRWN: PKH	2022/05/25			
	2 PLACES	± 0.15	CHK'D: TKUMARKC	2022/06/01			
	1 PLACE	± 0.25	APPR: SCHIEN	2022/06/01			
0 PLACES	±	INITIAL REVISION:	2022/04/13	DOCUMENT NUMBER	DOC TYPE	DOC PART	REVISION
DRAFT WHERE APPLICABLE MUST REMAIN WITHIN DIMENSIONS		THIRD ANGLE PROJECTION	DRAWING	SERIES	MATERIAL NUMBER	CUSTOMER	SHEET NUMBER
			C-SIZE	74754	747548224		1 OF 4

DOCUMENT STATUS	P1	RELEASE DATE	2022/06/01	06:40:54
-----------------	----	--------------	------------	----------

PCB LAYOUT FOR SINGLE SIDE MOUNT

HATCHED AREA DENOTES COMPONENTS AND TRACE KEEP-OUT (EXCEPT CHASSIS GROUND)

CROSS HATCHED AREA GOES TO CHASSIS GROUND (NO OSP) 2 PLCS

7X $\varnothing 1.05 \pm 0.05$
SHOWN AS \varnothing
 \varnothing 0.05 A B

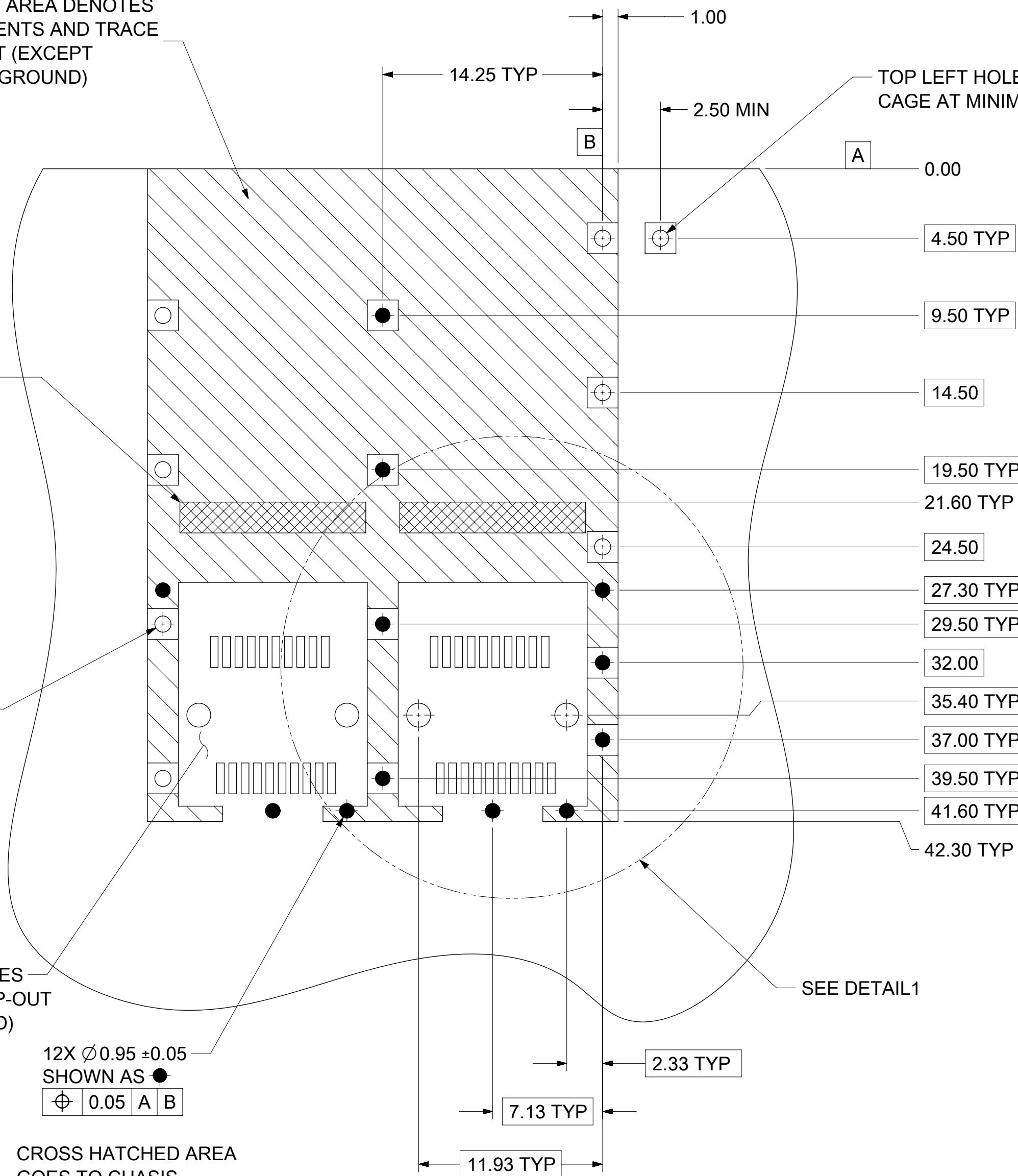
THIS AREA DENOTES COMPONENT KEEP-OUT (TRACES ALLOWED)

12X $\varnothing 0.95 \pm 0.05$
SHOWN AS \bullet
 \varnothing 0.05 A B

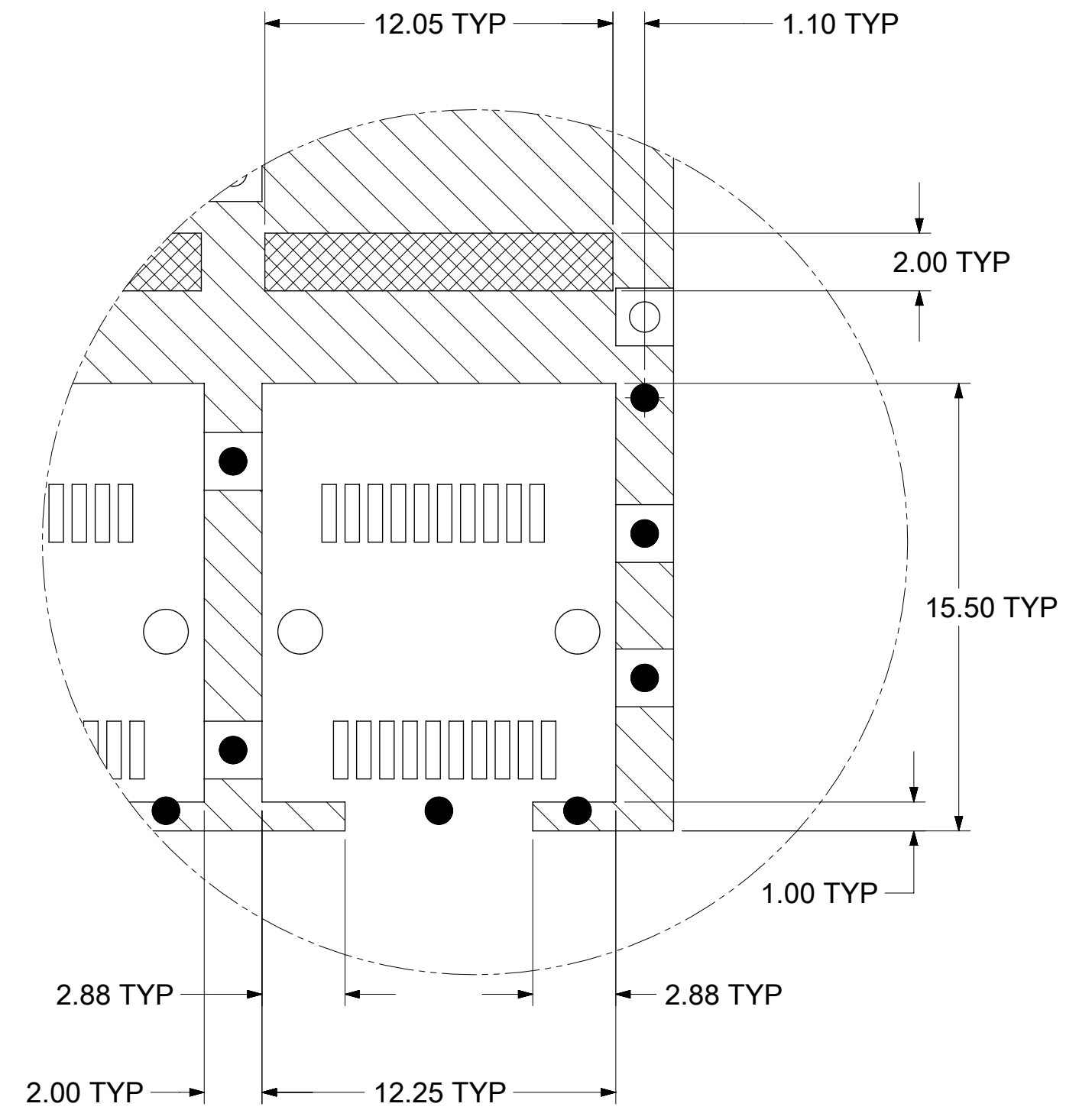
CROSS HATCHED AREA GOES TO CHASSIS GROUND (NO OSP)

NOTES:

1. PADS AND VIAS CONNECT TO CHASSIS GROUND (RECOMMEND PADS TO BE 2.00mm SQUARE)
2. RECOMMENDED THRU HOLE PLATING INCLUDES HASL, OSP, OR IMMERSION (GOLD, SILVER, OR TIN).
3. CONNECTOR PAD LAYOUT PER SFP+ MSA WILL ACCOMMODATE MOLEX CONNECTOR SERIES 74441 OR EQUIVALENT.
4. HOLE PATTERN REPEATS FOR EACH PORT. SPACING BETWEEN PORTS IS 14.25mm.



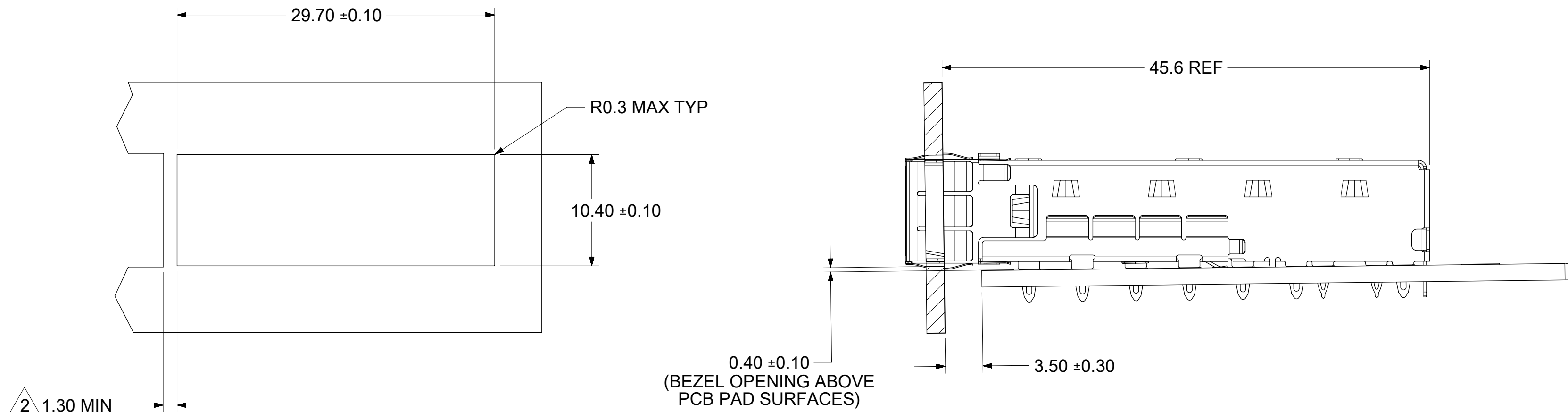
TOP LEFT HOLE OF ADJACENT CAGE AT MINIMUM SPACING



DETAIL 1
SCALE 5:1
HOST CONNECTOR DETAIL

FUNCTIONAL SYMBOLS	THIS DRAWING CONTAINS INFORMATION THAT IS PROPRIETARY TO MOLEX ELECTRONIC TECHNOLOGIES, LLC AND SHOULD NOT BE USED WITHOUT WRITTEN PERMISSION		CURRENT REV DESC: SEE REVISION TABLE		
	DIMENSION UNITS	SCALE			
\varnothing = 0	mm	4:1			SFP+ 1X2 PCI CAGE ASSY W/ PRESS-FIT LEGS, SUS SPRING FINGERS
\varnothing = 0	GENERAL TOLERANCES (UNLESS SPECIFIED)				
\varnothing = 0	ANGULAR TOL $\pm 1.0^\circ$				PRODUCT CUSTOMER DRAWING
	4 PLACES	\pm	EC NO: 707270	2022/04/13	
	3 PLACES	\pm	DRWN: PKH	2022/05/25	
	2 PLACES	± 0.15	CHK'D: TKUMARKC	2022/06/01	
	1 PLACE	± 0.25	APPR: SCHIEN		
	0 PLACES	\pm	INITIAL REVISION:		
	DRAFT WHERE APPLICABLE MUST REMAIN WITHIN DIMENSIONS		DRWN: PKH	2022/04/13	DOCUMENT NUMBER
	THIRD ANGLE PROJECTION		APPR: SCHIEN	2022/06/01	747548224
	DRAWING		SERIES	MATERIAL NUMBER	CUSTOMER
	C-SIZE		74754	747548224	
					SHEET NUMBER
					2 OF 4

BEZEL AND BOARD POSITION DIMENSIONS FOR SINGLE SIDE MOUNTING (SPRING FINGER)



- NOTE:**
1. PCB THICKNESS VARIATION MUST BE CONSIDERED WHEN DETERMINING BEZEL OPENING LOCATION.
 2. THIS DIMENSION IS FOR REFERENCE ONLY. USER CAN MODIFY UT DEPENDS ON APPLICATION.
(THIS DIMENSION VARIES BASED ON DISTANCE OF "HOLE OF ADJACENT CAGE" ON PCB LAYOUT.)

FUNCTIONAL SYMBOLS	THIS DRAWING CONTAINS INFORMATION THAT IS PROPRIETARY TO MOLEX ELECTRONIC TECHNOLOGIES, LLC AND SHOULD NOT BE USED WITHOUT WRITTEN PERMISSION									
$\nabla_A = 0$	DIMENSION UNITS	SCALE	CURRENT REV DESC: SEE REVISION TABLE							
$\nabla_C = 0$	mm	3:1	<div style="font-size: 24pt; font-weight: bold; margin: 0;">molex</div> <p style="margin: 5px 0;">SFP+ 1X2 PCI CAGE ASSY W/ PRESS-FIT LEGS, SUS SPRING FINGERS</p> <p style="margin: 0;">PRODUCT CUSTOMER DRAWING</p>							
$\nabla_P = 0$	GENERAL TOLERANCES (UNLESS SPECIFIED)									
DIVISIONAL SYMBOLS	ANGULAR TOL	± 1.0°	EC NO: 707270	2022/04/13	2022/05/25	2022/06/01	2022/04/13	2022/06/01	2022/04/13	2022/06/01
	4 PLACES	±	DRWN: PKH							
	3 PLACES	±	CHK'D: TKUMARKC							
	2 PLACES	± 0.15	APPR: SCHIEN							
	1 PLACE	± 0.25	INITIAL REVISION:							
	0 PLACES	±	DRWN: PKH							
	DRAFT WHERE APPLICABLE MUST REMAIN WITHIN DIMENSIONS		APPR: SCHIEN							
	THIRD ANGLE PROJECTION		DRAWING	SERIES	MATERIAL NUMBER	CUSTOMER	DOCUMENT NUMBER		DOC TYPE	DOC PART
			C-SIZE	74754	747548224		747548224		PSD	ASY
							3 OF 4		A	A

12 11 10 9 8 7 6 5 4 3 2 1

H
G
F
E
D
C
B
A

REV	DATE	DESCRIPTION
A	2022/05/25	INITIAL RELEASE

FUNCTIONAL SYMBOLS	THIS DRAWING CONTAINS INFORMATION THAT IS PROPRIETARY TO MOLEX ELECTRONIC TECHNOLOGIES, LLC AND SHOULD NOT BE USED WITHOUT WRITTEN PERMISSION		CURRENT REV DESC: SEE REVISION TABLE	
	DIMENSION UNITS	SCALE	EC NO: 707270 DRWN: PKH 2022/04/13 CHK'D: TKUMARKC 2022/05/25 APPR: SCHIEN 2022/06/01 INITIAL REVISION: DRWN: PKH 2022/04/13 APPR: SCHIEN 2022/06/01	
	mm	1:1		
	GENERAL TOLERANCES (UNLESS SPECIFIED)			
	ANGULAR TOL	± 1.0°		
DIVISIONAL SYMBOLS	4 PLACES	±	PRODUCT CUSTOMER DRAWING DOCUMENT NUMBER: 747548224 DOC TYPE: PSD DOC PART: ASY REVISION: A MATERIAL NUMBER: 747548224 CUSTOMER: SHEET NUMBER: 4 OF 4	
	3 PLACES	±		
	2 PLACES	± 0.15		
	1 PLACE	± 0.25		
	0 PLACES	±		
	DRAFT WHERE APPLICABLE MUST REMAIN WITHIN DIMENSIONS	THIRD ANGLE PROJECTION	DRAWING	SERIES
			C-SIZE	74754

molex

SFP+ 1X2 PCI CAGE ASSY
W/ PRESS-FIT LEGS, SUS SPRING FINGERS

PRODUCT CUSTOMER DRAWING

747548224

PSD ASY A

747548224 4 OF 4

DOCUMENT STATUS: P1 RELEASE DATE: 2022/06/01 06:40:54

12 11 10 9 8 7 6 5 4 3 2 1

FORMAT: mxdwr-18-0010.c
REVISION: 01
DATE: 20180601