

MaxGain® 160

HIGH PERFORMANCE MICROWAVE COAXIAL CABLE

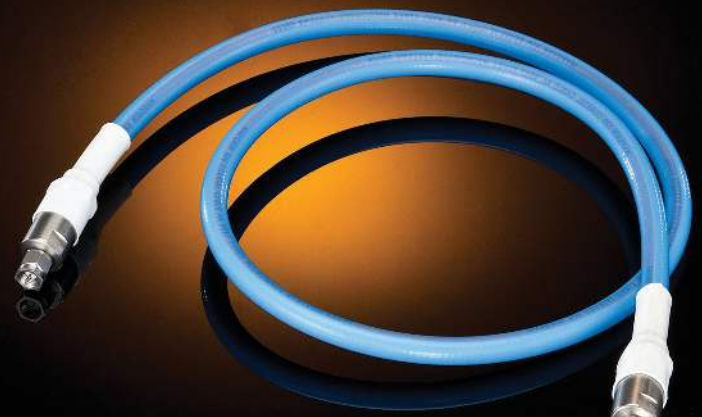
MaxGain® Assemblies are high-performance, ultra-low-loss microwave coaxial cables. Built with our unique spiral outer conductor technology, this light-weight cable is a reliable, high frequency interconnect solution.

MaxGain® Cable

Diameter	0.156"
Minimum Bend Radius	0.750" (Centerline)
Operating Temperature	-50°C to + 150°C
Weight	26.0 lbs/1000ft
Attenuation at 28.5 GHz	0.35 dB/ft
Attenuation at 39.5 GHz	0.75 dB/ft

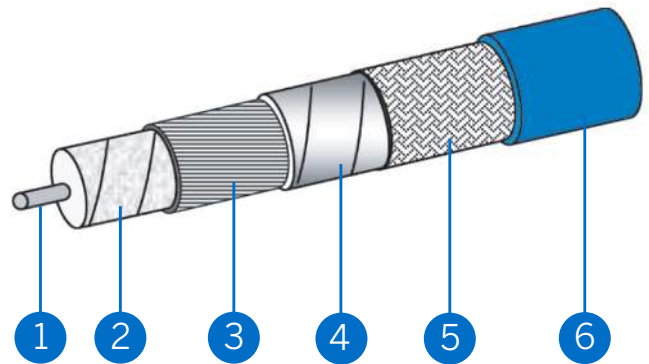
Electrical Properties

Maximum Frequency	40 GHz
Impedance	50 ohms
Capacitance	25.4 pf/ft
Velocity of Propagation	80%
Delay	1.27 ns/ft
Shielding	-90 dB minimum



FEATURES

- Optimized for lowest attenuation at 40 GHz
- Ultra-stable insertion loss, phase and VSWR with flexing
- Low smoke, zero halogen FEP jacket available
- Flexible, low minimum bend radius
- Superior shielding effectiveness (>90 dB)



1	Center Conductor	0.0359"	Silver Plated Copper
2	Dielectric	0.105"	Microporus PTFE
3	Shield	0.109"	Silver Plated Copper
4	Interlayer	0.116"	Metalized Tape
5	Outer Braid	0.134"	Silver Plated Copper Braid
6	Jacket	0.156"	Blue FEP

MaxGain® 160

HIGH PERFORMANCE MICROWAVE COAXIAL CABLE



Heritage—in the air and on the ground, hundreds of thousands of assemblies built over decades



Global manufacturing capability: US, Mexico & China



Assembled and tested MaxGain assemblies provide assured performance.

Ordering Guide

MG 160-KM KF-01.0-M

Interface

KM K Male
KF K Female
SM SMA Male
SF SMA Female

Length

Units of Measure

M Meters
F Feet

WORLD HEADQUARTERS
358 Hall Avenue, Wallingford, CT 06492
1-800-867-2629

