

REVISIONS		
LTR	DESCRIPTION	DATE
D	REVISED PER ECO-11-002238	01/31/2011

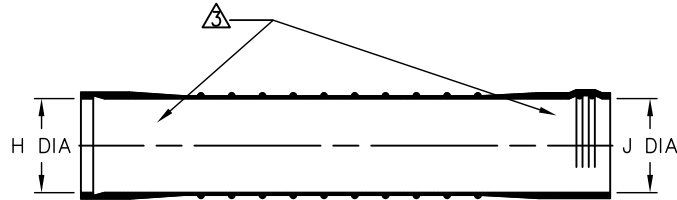
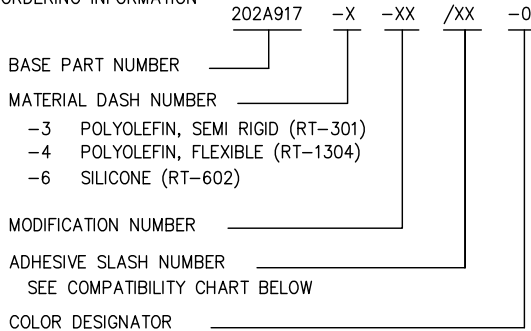
NOTES:

- ALL DIMENSIONS ARE IN INCHES
[MILLIMETERS]
- DIMENSIONS APPEARING IN TABLE ARE AS FOLLOWS:
a - AS SUPPLIED
b - AFTER UNRESTRICTED RECOVERY

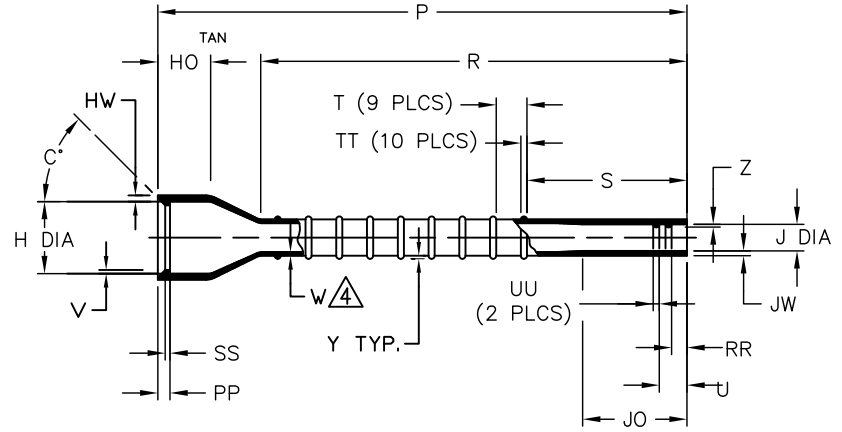
3. COATING (ADHESIVE): IS OPTIONAL AS SUPPLIED DIMENSIONS APPEARING IN TABLE ARE FOR UNCOATED PARTS. WHEN COATING IS ADDED, ENTRY DIAMETER WILL BE REDUCED BY .06 [1.5] MAX.

4. "W" DIMENSION APPLIES IN RIBBED AREA OF PART ONLY.

5. ORDERING INFORMATION



AS SUPPLIED



AFTER UNRESTRICTED RECOVERY

TABLE OF DIMENSIONS

PART DESCRIPTION	H		J			P	R	S	T	U	PP	RR	SS	TT
	MIN a	MAX b	MIN -3,-4 a	MIN -49 a	MAX b	±.25 b	±.25 b	±.12 b	.05 b	±.03 b	±.03 b	±.03 b	±.03 b	±.03 b
202A917	1.45 [36,8]	1.17 [29,7]	1.45 [36,8]	1.00 [25,4]	.36 [9,1]	9.00 [228,6]	7.35 [186,7]	1.93 [49,0]	.50 [12,7]	.28 [7,1]	.20 [5,1]	.15 [3,8]	.06 [1,5]	.06 [1,5]
PART DESCRIPTION	UU	HO	JO	HW	JW	W	V	Y	Z	C*				
202A917	±.02 b	±.08 b	±.12 b	±.02 b	±.02 b	±.02 b	±.02 b	±.02 b	±.01 b	±5° b				
202A917	.03 [0,8]	.86 [21,8]	1.20 [30,5]	.10 [2,5]	.08 [2,0]	.05 [1,3]	.04 [1,0]	.04 [1,0]	.03 [0,8]	45°				

If this document is printed it becomes uncontrolled. Check for the latest revision

CUSTOMER DRAWING

COMPATIBILITY CHART

MATERIAL DASH NO.	ADHESIVE (COATING) SLASH NUMBER	ADHESIVE (COATING) S NUMBER
-3	/42; /86	S-1017; S-1048
-4	/42; /86	S-1017; S-1048
-6	N/A	N/A

UNLESS OTHERWISE SPECIFIED DIMENSIONS ARE INCHES. METRIC DIMENSIONS ARE IN BRACKETS.
DECIMAL TOLERANCES
.XXX ± 0.005 [0.13 mm]
.XX ± 0.01 [0.25 mm]
.X ± 0.1 [0.50 mm]
ANGLE TOLERANCE
.X ± 1 DEG.

DRAWN
UNGUYEN
APPROVED
DHURRELL
THIRD ANGLE PROJECTION

Tyco Electronics Raychem Molded Parts
305 Constitution Dr
Menlo Park, CA 94025

TITLE
**BOOT, STRAIGHT,
WITH LIP AND RIPS**

SIZE
B

CODE IDENT. NO.
06090

DWG. NO.
202A917

© 2003-2011 Tyco Electronics Corporation. All rights reserved. DO NOT SCALE THIS DRAWING SHEET 1 OF 1