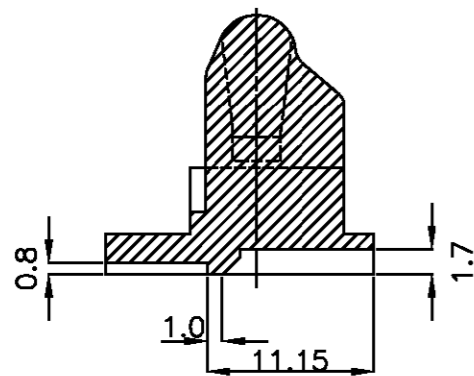
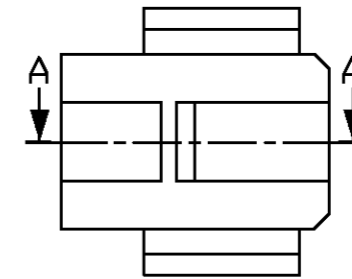
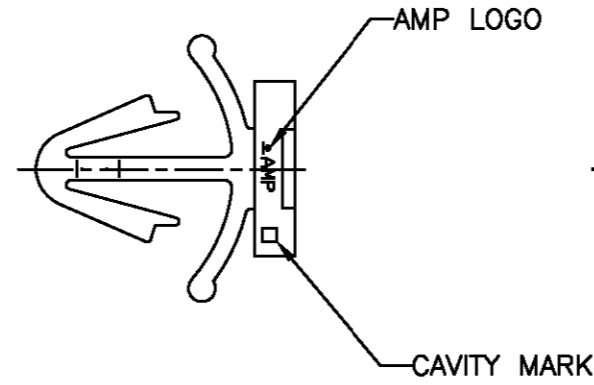
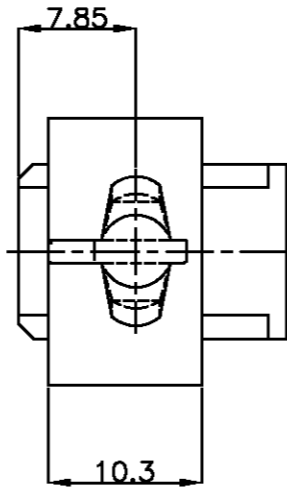
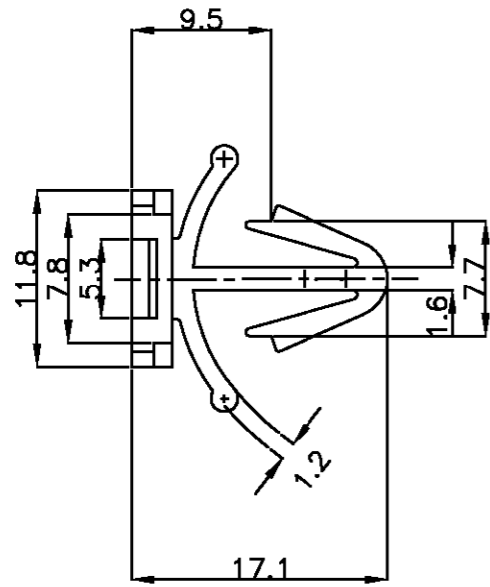
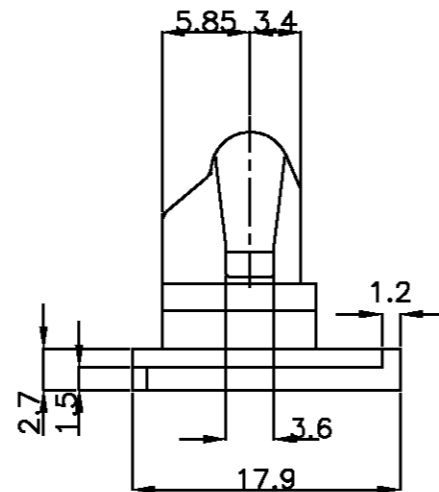


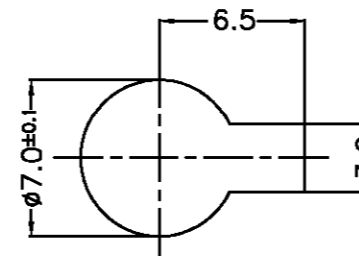
P	LTR	DESCRIPTION	DATE	DWN	APVD
	□	RELEASED(FCOO-0126-02)	08/OCT/'02	KT	CS



SECTION A-A



PANEL HOLE SIZE



PANEL THICKNESS: 2.5-3.5mm

NOTES

- △ MATERIAL: NYLON66
- △ COLOR

BLACK	0-936286-2
NATURAL	0-936286-1
COLOR	PART NO.

THIS DRAWING IS A CONTROLLED DOCUMENT FOR AMP INCORPORATED. IT IS SUBJECT TO CHANGE AND THE CONTROLLING ENGINEERING ORGANIZATION SHOULD BE CONTACTED FOR THE LATEST REVISION.

DIMENSIONS: MM	TOLERANCES UNLESS OTHERWISE SPECIFIED: ± 0.2 ANGLES ± 3°
3rd ANGLE PROJECTION	
MATERIAL	FINISH/COLOR

DWN KT LIM	
CHK JK SONG	
APVD CS LEE	
PRODUCT SPEC	---
APPLICATION SPEC	---
WEIGHT	---

tyco AMP KOREA.
Electronics kyungsan, korea

NAME CLIP FOR .090III CONN. (Ø7 KEY HOLE)		
SIZE A3	CAGE CODE 00779	DRAWING NO 936286
SCALE 2/1	SHEET 1 OF 1	REV 0