

PART NO.	A22025-001	REV	ECO	DATE	APP
		C	96877	07-13-10	TLM

### MATERIALS & SPECIFICATIONS

**INSULATOR:**

LIQUID CRYSTAL POLYMER (LCP) PER ASTM D5138.

**CONTACT:**

BERYLLIUM COPPER PER ASTM B194, C17200. GOLD PLATED PER ASTM B488, (HARD GOLD) TYPE II CODE C CLASS 1.27.

**TERMINATION:**

26 AWG (7-34) TYPE E, PER NEMA HP3, COLOR CODED PER TABLE.

**LATCH SPRING:**

BERYLLIUM COPPER PER ASTM B194 NICKEL PLATE PER AMS-C-26074.

**CURRENT CAPACITY:**

3 AMP MAX.

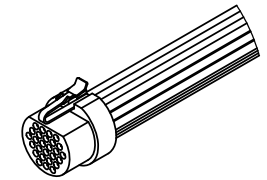
**CONTACT RESISTANCE:**

26 MILLIOHMS (65mV) MAX @ 2.5 AMPS.

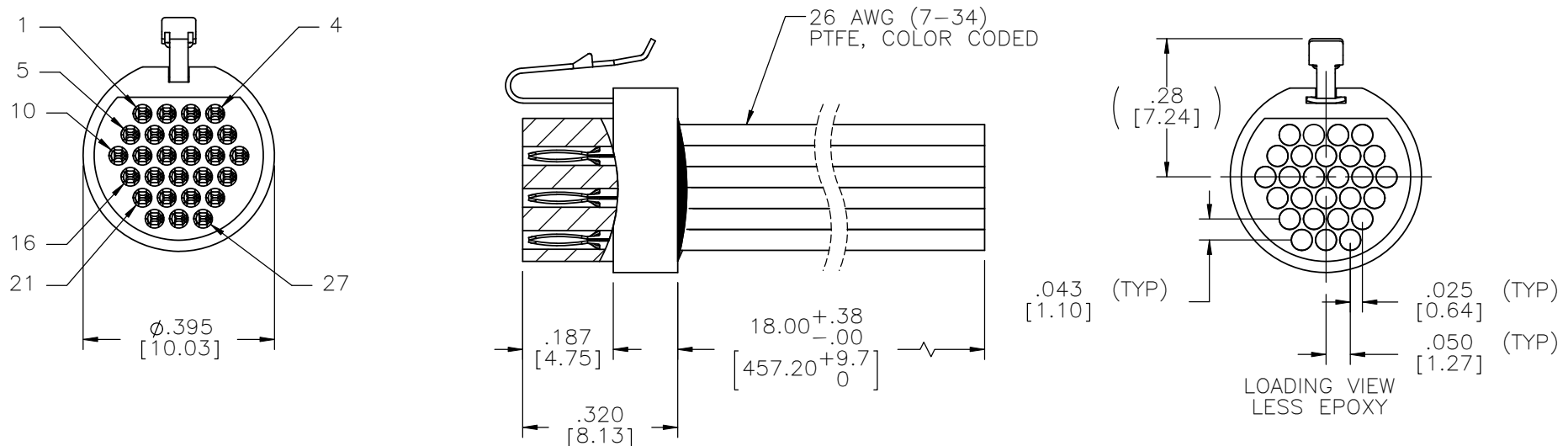
**PERFORMANCE:**

PRODUCT FAMILY TESTED TO AND PASSED THE PERFORMANCE SPECIFICATIONS OF TABLE VII OF MIL-DTL-83513.

PIN #	COLOR
1, 11, 21	BLACK
2, 12, 22	BROWN
3, 13, 23	RED
4, 14, 24	ORANGE
5, 15, 25	YELLOW
6, 16, 26	GREEN
7, 17, 27	BLUE
8, 18	VIOLET
9, 19	GRAY
10, 20	WHITE



ACTUAL SIZE EXCLUDING WIRE LENGTH



REF: OMNETICS

INTERNAL USE ONLY  
USE MFG LOADING  
PROCEDURE MC-27P

MFG	THIRD ANGLE	THIS DRAWING CONTAINS CONFIDENTIAL AND PROPRIETARY INFORMATION WHICH IS THE PROPERTY OF OMNETICS CONNECTOR CORP. THIS DOCUMENT MAY NOT, IN WHOLE OR IN PART, BE DUPLICATED, OR DISCLOSED FOR ANY PURPOSE, WITHOUT WRITTEN PERMISSION FROM OMNETICS CONNECTOR CORP.	
	-TOLERANCES-	DFTM. TEP	DATE 05-16-07
	UNLESS OTHERWISE NOTED	CHK'D.	DATE
	DIMENSIONS IN INCHES	APP'D.	DATE
MFG	2 PL DEC ± .01	TITLE: (27) PIN MALE MICRO CIRCULAR CONNECTOR W/ LATCH	
STW	3 PL DEC ± .005		
CDW	4 PL DEC ± .0005		
	ANGLES ± 1°		

**OMNETICS**  
CONNECTOR CORPORATION  
7260 COMMERCE CIRCLE EAST  
MINNEAPOLIS, MN 55432  
WWW.OMNETICS.COM

CAGE CODE <b>61873</b>	
DWG NO. <b>A22025-001</b>	
SHEET 1 OF 1	REV C
SCALE: 3:1	