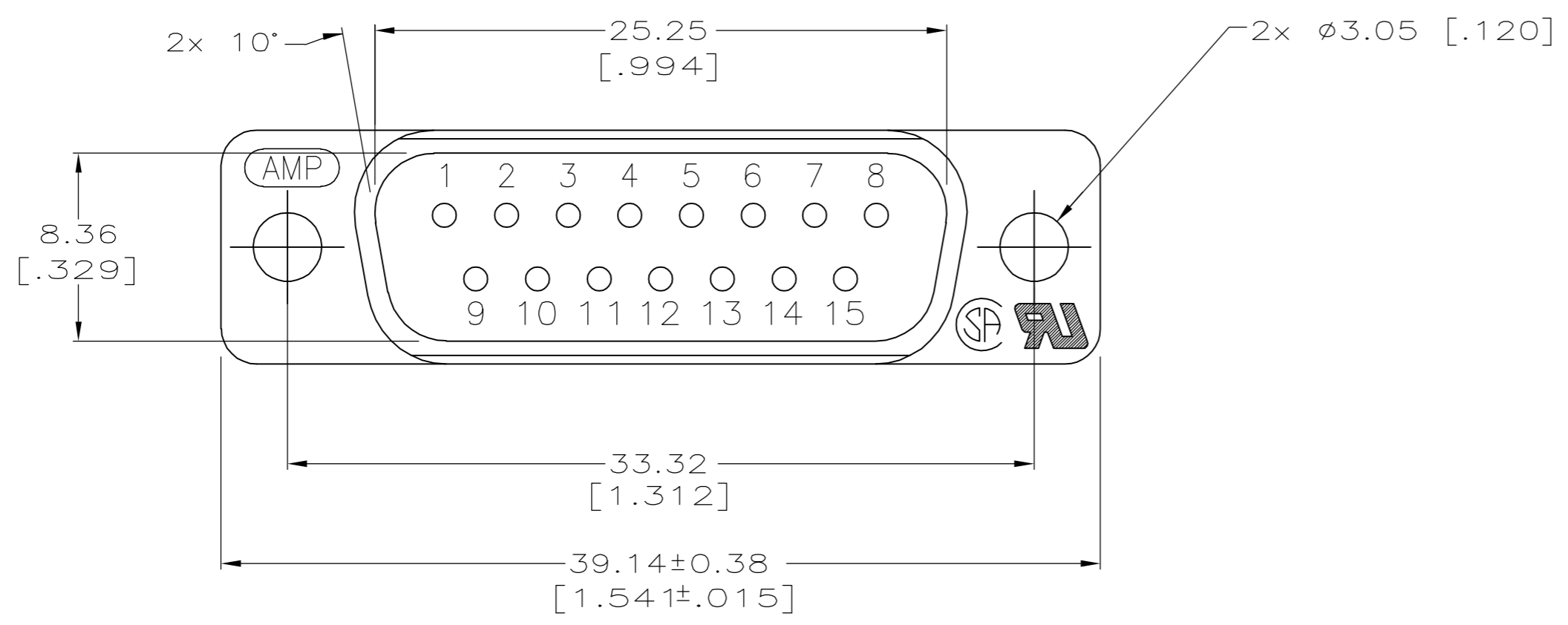
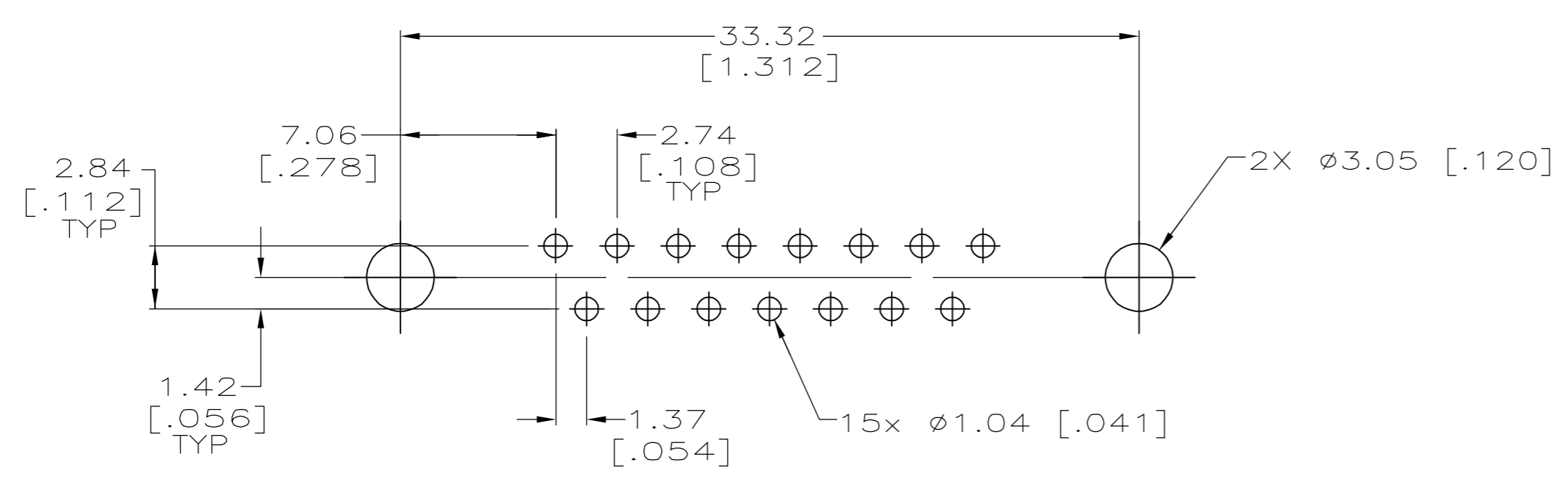
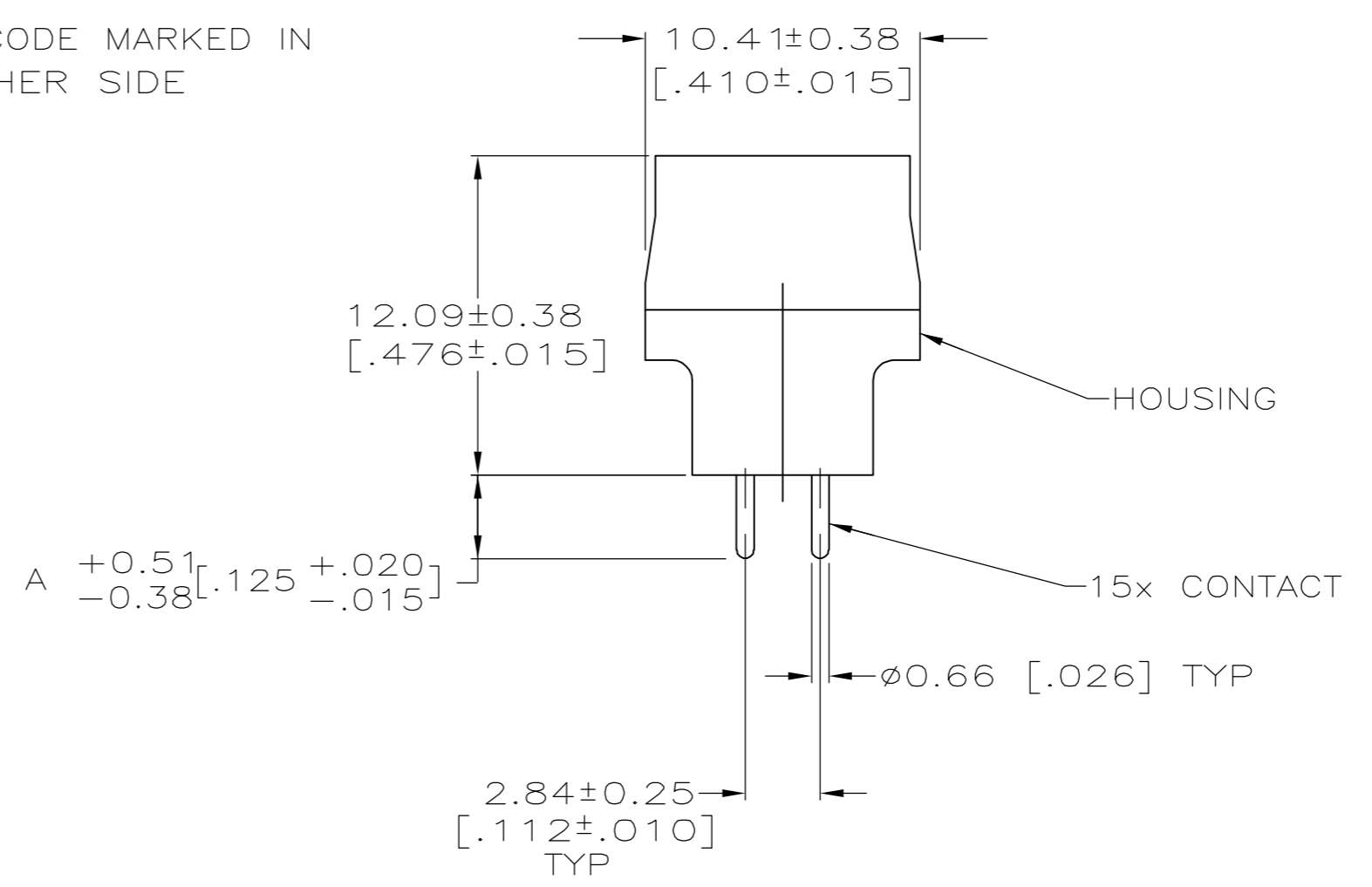
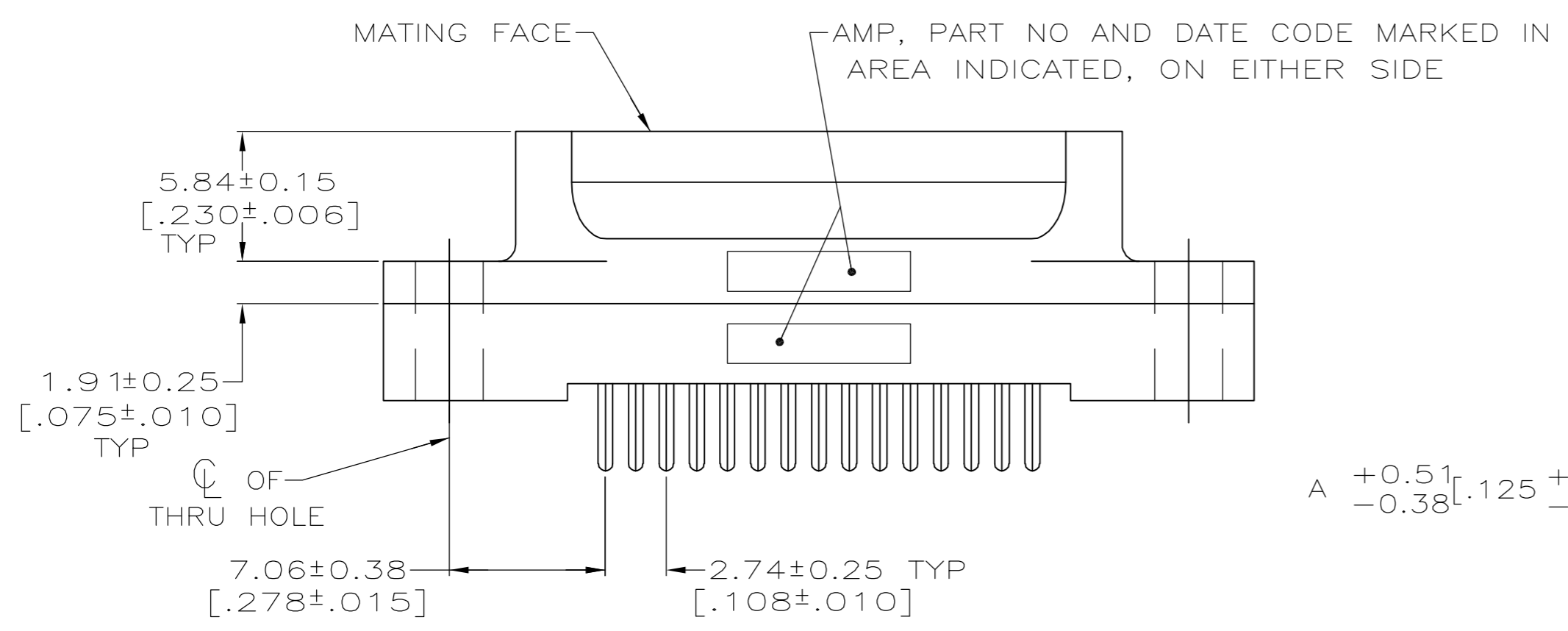


THIS DRAWING IS UNPUBLISHED. RELEASED FOR PUBLICATION
 © COPYRIGHT BY TYCO ELECTRONICS CORPORATION. ALL RIGHTS RESERVED.

LOC		DIST		REVISIONS			
P	LTR	DESCRIPTION		DATE	DWN	APVD	
GP	00	K		REVISED PER ECO-06-024575	24JAN07	JDP	EDB



- 1 HOUSING: BLACK POLYESTER, UL 94V-0 RATED. CONTACTS: BRASS PER MIL-C-50.
- 2 GOLD PLATED FOR LENGTH OF 3.81 [.150] MIN FROM MATING END, GOLD FLASH IN MATED AREA, 2.54µm [.000100] MIN TIN OR TIN-LEAD FOR A LENGTH OF DIMENSION A FROM OPPOSITE END, ALL OVER 1.27µm [.000050] MIN NICKEL.
- 3 GOLD PLATED FOR LENGTH OF 3.81 [.150] MIN FROM MATING END, 0.76µm [.000030] MIN GOLD IN MATED AREA, 2.54µm [.000100] MIN TIN OR TIN-LEAD FOR A LENGTH OF DIMENSION A FROM OPPOSITE END, ALL OVER 1.27µm [.000050] MIN NICKEL.
OR
GOLD FLASH OVER PALLADIUM NICKEL PLATED FOR LENGTH OF 3.81 [.150] MIN FROM MATING END, 0.76µm [.000030] MIN PALLADIUM NICKEL IN MATED AREA, 2.54µm [.000100] MIN TIN OR TIN-LEAD FOR A LENGTH OF DIMENSION A FROM OPPOSITE END, BOTH OVER 1.27µm [.000050] MIN NICKEL.



RECOMMENDED PC BOARD MOUNTING DIMENSIONS

FINISH	A	CONTACT FINISH	PART NUMBER
OBsolete	6.35 [.250]	3	208007-6
OBsolete	6.35 [.250]	2	208007-5
OBsolete	4.32 [.170]	3	208007-4
SUPSD BY 208007-4	4.32 [.170]	2	208007-3
	3.18 [.125]	3	208007-2
OBsolete	3.18 [.125]	2	208007-1

THIS DRAWING IS A CONTROLLED DOCUMENT.		DWN J. POLIGNONE 01FEB07	tyco Tyco Electronics Corporation	
DIMENSIONS: mm [INCHES]		CHK E. BRIANT 01FEB07	Harrisburg, PA 17105-3608	
TOLERANCES UNLESS OTHERWISE SPECIFIED:		APVD E. BRIANT 01FEB07	NAME	
0 PLC ± -	1 PLC ± -	PRODUCT SPEC	PLUG ASSEMBLY, SIZE 2,	
2 PLC ± 0.13 [.005]	3 PLC ± -	APPLICATION SPEC	15 POSN, VERTICAL,	
4 PLC ± -	ANGLES ± 2°		AMPLIMITE HD-20	
MATERIAL 1	FINISH 2 3	WEIGHT -	SIZE A2	CAGE CODE 00779
CUSTOMER DRAWING		SCALE 4:1	DRAWING NO C=208007	RESTRICTED TO -
		SHEET 1 of 1	REV K	