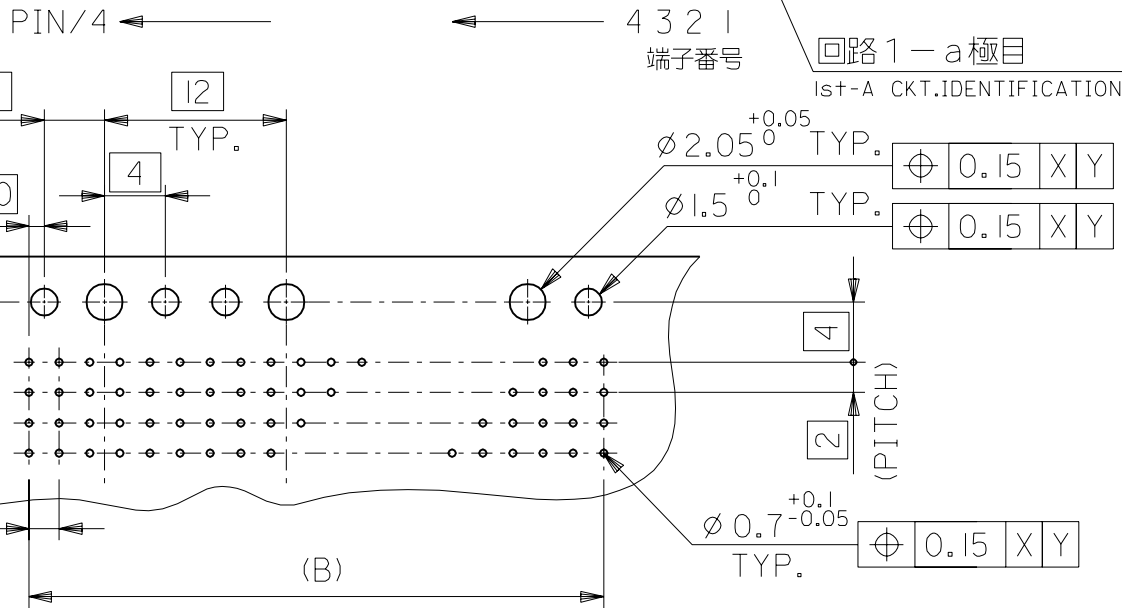
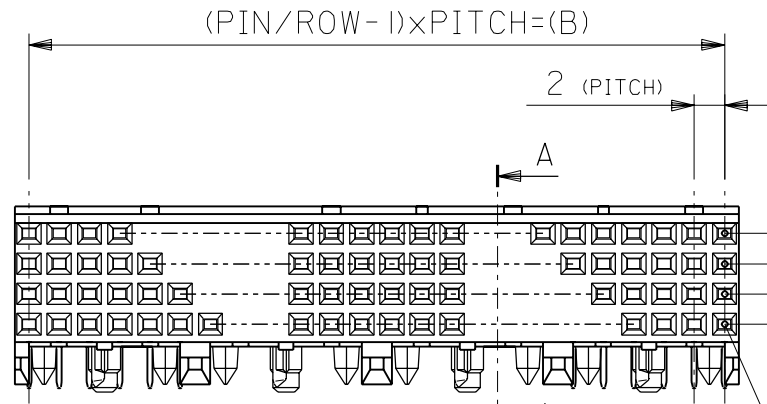
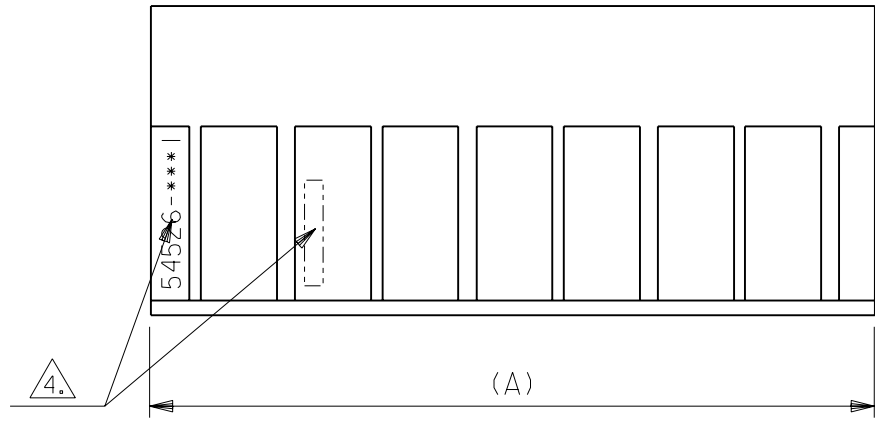
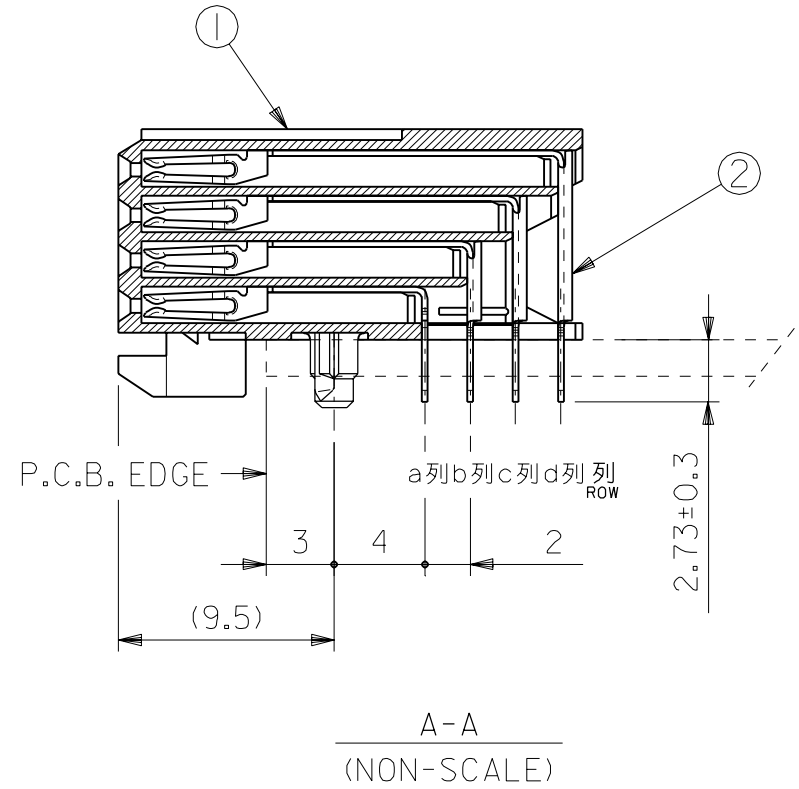


番号 No.	部品 PART NAME	材質 MATERIAL	仕上げ FINISH
①	リセプタクル ハウジング RECEPTACLE HOUSING	液晶ポリマー、ガラス充填、自然色(白)、UL94V-0 LCP, GLASS FILLED, NATURAL(WHITE), UL94V-0	— # —
②	リセプタクル ターミナル RECEPTACLE TERMINAL	リン青銅 PHOSPHOR BRONZE	△1.



回路1-a極目
Is1-A CKT. IDENTIFICATION

- 注記
NOTE :
- △1. ターミナル めっき仕様
TERMINAL PLATING
 金めっき: 0.76 μm MIN. (接点部)
 GOLD : 0.76 μm MIN. (CONTACT AREA)
 半田めっき: 1.0 μm MIN. (半田付け部)
 TIN-LEAD : 1.0 μm MIN. (SOLDER AREA)
 ニッケルメッキ: 2.0 μm MIN. (下地めっき)
 NICKEL : 1.0 μm MIN. (UNDER PLATING)
 - 2. 推奨基板厚: t=1.6
RECOMMENDED P.C.B. THICKNESS : t=1.6
 - 3. 適合プラグ: 53901-***5, 55222-***5, 55089-***5
APPLICABLE PLUG : 53901-***5, 55222-***5, 55089-***5
 - △4. 製品番号及びロットナンバー
MATERIAL NO. & LOT NO.



94	95.98	54526-1921	192
58	59.98	54526-1201	120
46	47.98	54526-0961	96
22	23.98	54526-0481	48
10	11.98	54526-0241	24
B	A	MATERIAL NO.	PIN

基板穴推奨寸法 (部品実装)
RECOMMENDED P.C.B. LAYOUT (COMPONENT SIDE)

REV	DESCRIPTION	MATERIAL 材料	FINISH 仕上げ	WIRE RANGE 適用電線範囲	INS. RANGE 被覆外径
0	RELEASED JD00190 DRWN: S.HOSHIKAWA '99/08/23 CHK: A.NODA APPR: H.IKESUGI	— # —	— # —	— # —	— # —

GENERAL TOLERANCES: (UNLESS SPECIFIED) 一般公差	SCALE	DESIGN UNITS	PROJECTION	TITLE	DRAWN BY & DATE	CHECKED BY & DATE	APPROVED BY & DATE	CAD FILENAME	MATERIAL NO.	DRAWING NO.	SHEET NO.
10 UNDER 未満 ±0.2 10 OVER 以上 30 UNDER 未満 ±0.25 30 OVER 以上 ±0.3	2-1	mm	2D	"MFB" B/B CONN. (FB+) REC. ASS'Y 4ROWS DIP	S. Hoshikawa	A. Noda	A. Noda	54526001.S01	SEE TABLE	SD-54526-001	1 OF 1

ANGLE 角度	角	角
±3°	±3°	±3°

MODEL NO.	DIMENSIONS:	SHT	REV
54526-***1	mm INCH mm ONLY		

SCALE	DESIGN UNITS	PROJECTION	TITLE	DRAWN BY & DATE	CHECKED BY & DATE	APPROVED BY & DATE	CAD FILENAME	MATERIAL NO.	DRAWING NO.	SHEET NO.
2-1	mm	2D	"MFB" B/B CONN. (FB+) REC. ASS'Y 4ROWS DIP	S. Hoshikawa	A. Noda	A. Noda	54526001.S01	SEE TABLE	SD-54526-001	1 OF 1

THIS DRAWING CONTAINS INFORMATION THAT IS PROPRIETARY TO MOLEX INCORPORATED AND SHOULD NOT BE USED WITHOUT WRITTEN PERMISSION.