

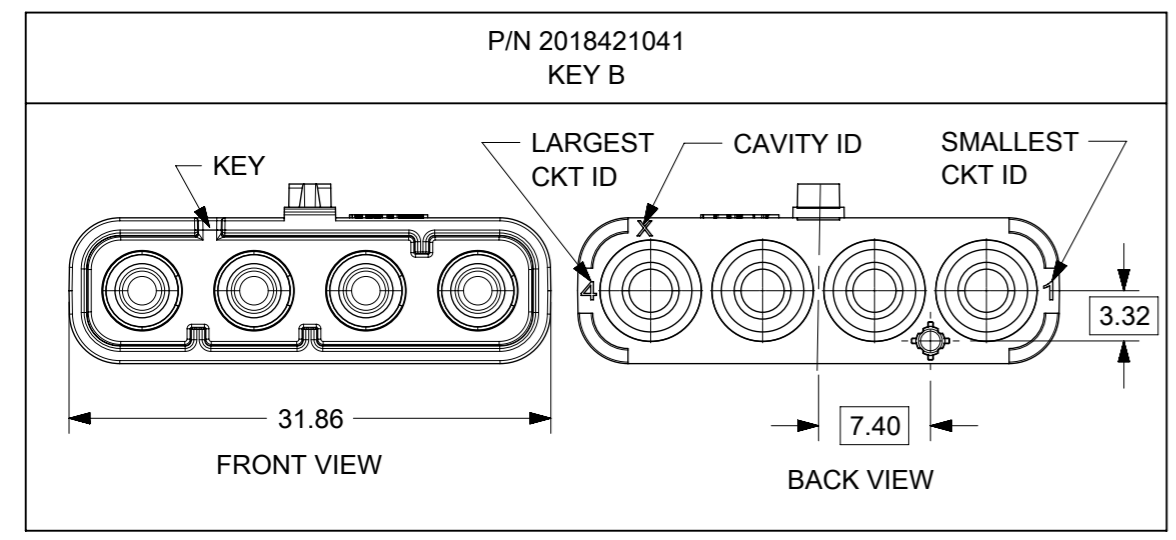
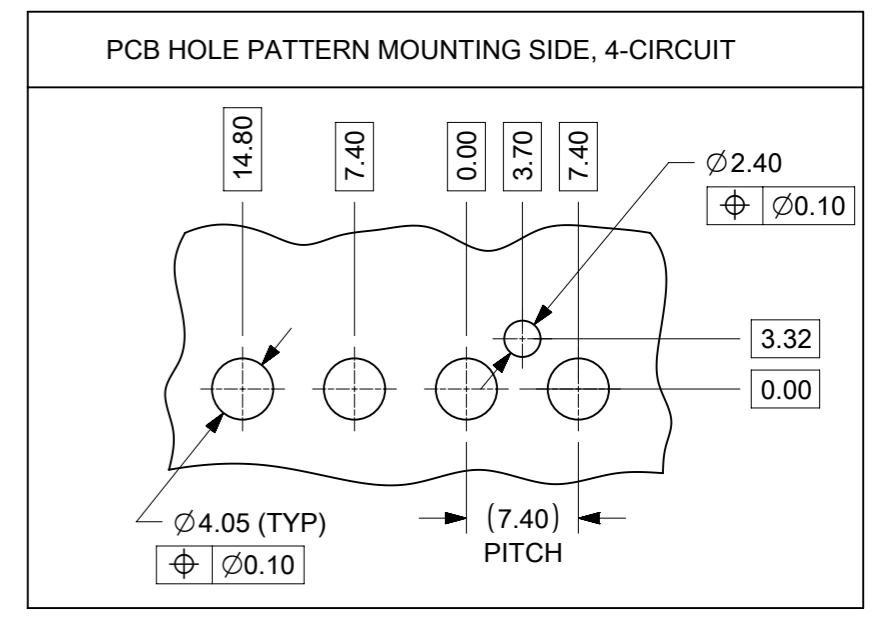
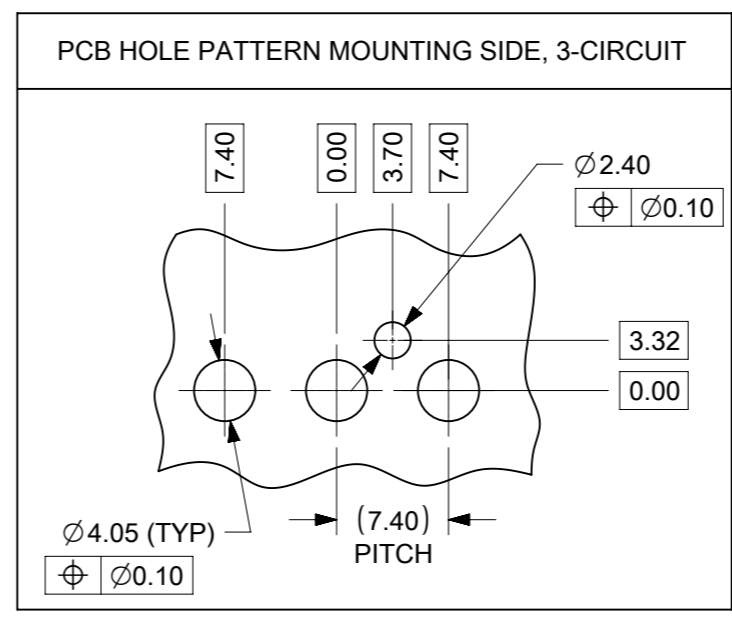
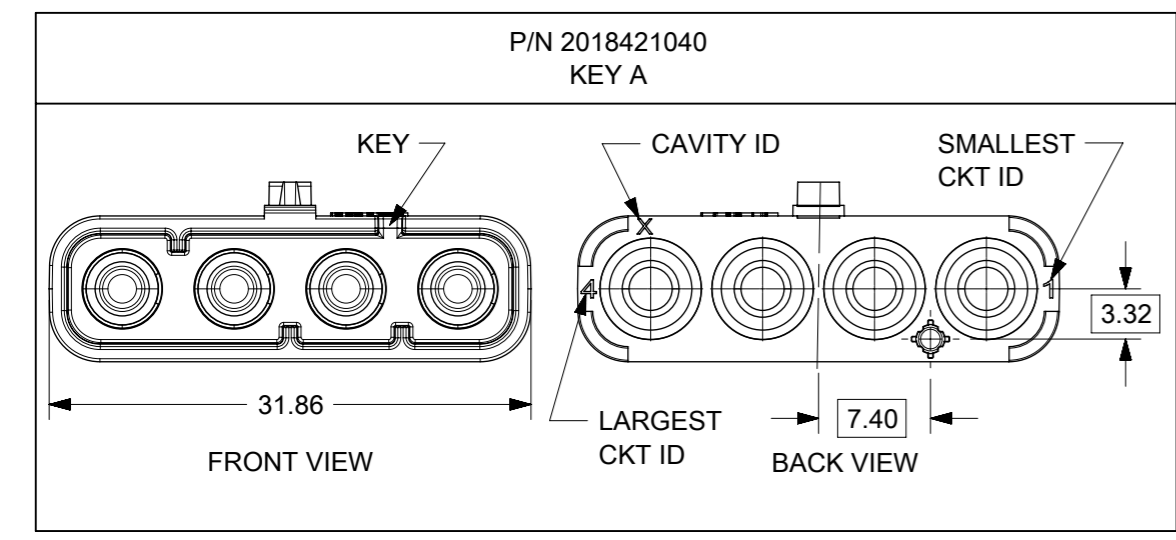
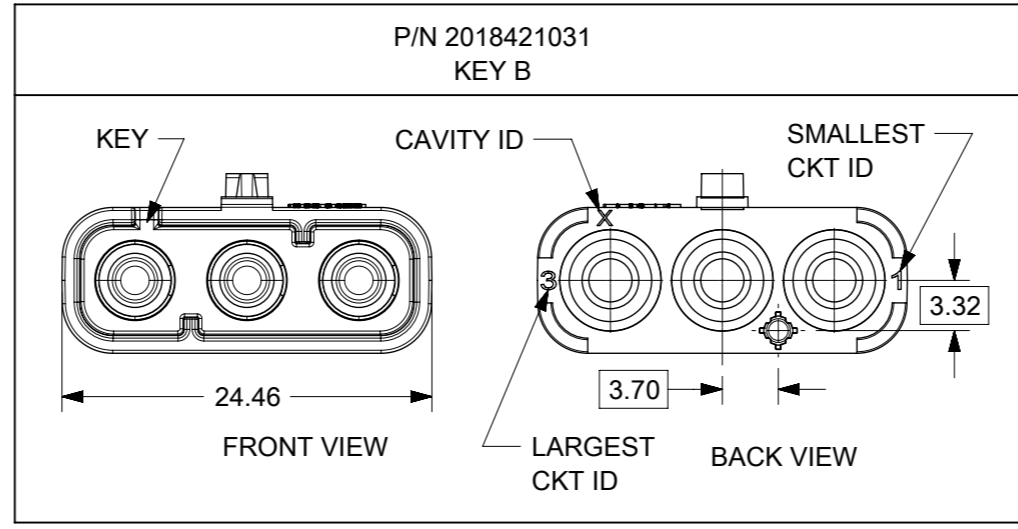
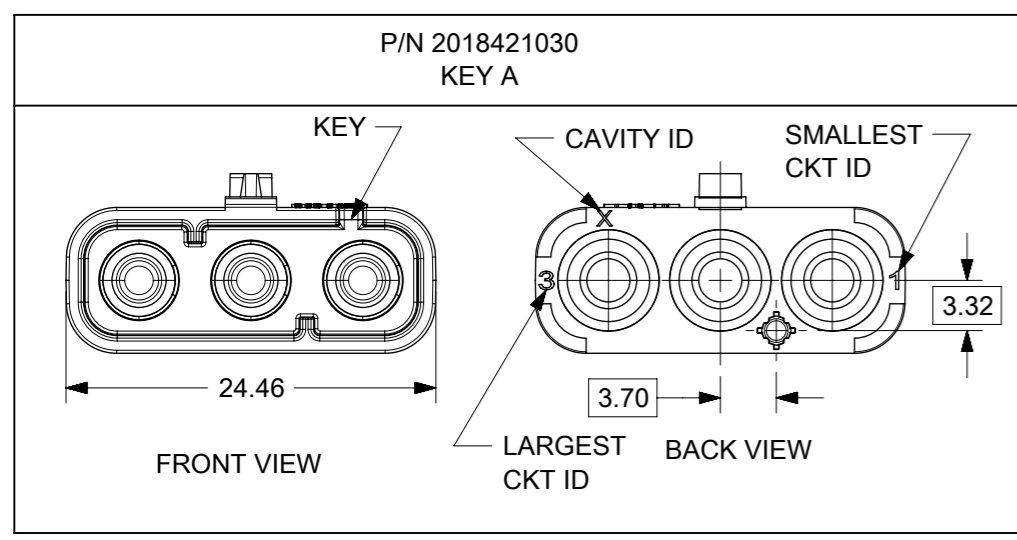
P/N 2018421030  
KEY A

NOTES:

1. APPLICATION SPECIFICATION SEE: 2018400000-AS
2. PRODUCT SPECIFICATION SEE: 2018400000-PS
3. COSMETIC STANDARD PS-45499-002 (CLASS B)
4. MATES WITH RECEPTACLE HOUSING SERIES 201841
5. HOUSING MATERIAL: PEI, UL RATED 94V-0; COLOR: SEE TABLE
6. TERMINAL MATERIAL: Cu ALLOY
7. SOLDERABILITY PER SMES-152
8. PLATING: MATING AREA : 0.1µm MIN Au OVER Ni  
TERMINATION AREA : 5µm MIN Sn OVER Ni
9. COMPLY WITH PACKAGING SPECIFICATION (2018420000-PK)

THIS DRAWING CONTAINS INFORMATION THAT IS PROPRIETARY TO MOLEX ELECTRONIC TECHNOLOGIES, LLC AND SHOULD NOT BE USED WITHOUT WRITTEN PERMISSION									
DIMENSION UNITS		SCALE		CURRENT REV DESC: ADDED BACK VIEWS.				<b>molex</b>	
mm		2:1							
GENERAL TOLERANCES (UNLESS SPECIFIED)				EC NO: 613783				MULTICAT VERT HDR ASSY WTB IN-LINE	
ANGULAR TOL ± °				DRWN: MKP 2019/02/12					
4 PLACES ±				CHK'D: NCSR 2019/03/15				PRODUCT CUSTOMER DRAWING	
3 PLACES ± 0.05				APPR: KPRASAD 2019/04/01					
2 PLACES ± 0.1				INITIAL REVISION:				DOCUMENT NUMBER	
1 PLACE ± 0.2				DRWN: RMV02 2016/11/22					
0 PLACES ±				APPR: KPRASAD 2017/02/08				2018420000-SD	
DRAFT WHERE APPLICABLE MUST REMAIN WITHIN DIMENSIONS		THIRD ANGLE PROJECTION		DRAWING		SERIES		CUSTOMER	
				A3-SIZE		201842		GENERAL MARKET	
						SEE SHEET 2		1 OF 2	

NO.	ASSEMBLY		HOUSING
	PART NUMBER	DESCRIPTION	COLOR
1	2018421030	MULTICAT VERT HDR ASSY 1X3 KEY A	BLACK
2	2018421031	MULTICAT VERT HDR ASSY 1X3 KEY B	GRAY
3	2018421040	MULTICAT VERT HDR ASSY 1X4 KEY A	BLACK
4	2018421041	MULTICAT VERT HDR ASSY 1X4 KEY B	GRAY



THIS DRAWING CONTAINS INFORMATION THAT IS PROPRIETARY TO MOLEX ELECTRONIC TECHNOLOGIES, LLC AND SHOULD NOT BE USED WITHOUT WRITTEN PERMISSION

DIMENSION UNITS	SCALE	CURRENT REV DESC: ADDED BACK VIEWS.		<b>molex</b>			
mm	2:1						
GENERAL TOLERANCES (UNLESS SPECIFIED)				MULTICAT VERT HDR ASSY WTB IN-LINE			
ANGULAR TOL	±	°		PRODUCT CUSTOMER DRAWING			
4 PLACES	±			DOCUMENT NUMBER			
3 PLACES	±	0.05		2018420000-SD		DOC TYPE	DOC PART
2 PLACES	±	0.1		PSD		000	REVISION
1 PLACE	±	0.2		B1			
0 PLACES	±						
DRAFT WHERE APPLICABLE MUST REMAIN WITHIN DIMENSIONS		THIRD ANGLE PROJECTION	DRAWING	SERIES	MATERIAL NUMBER	CUSTOMER	SHEET NUMBER
			A3-SIZE	201842	SEE TABLE	GENERAL MARKET	2 OF 2