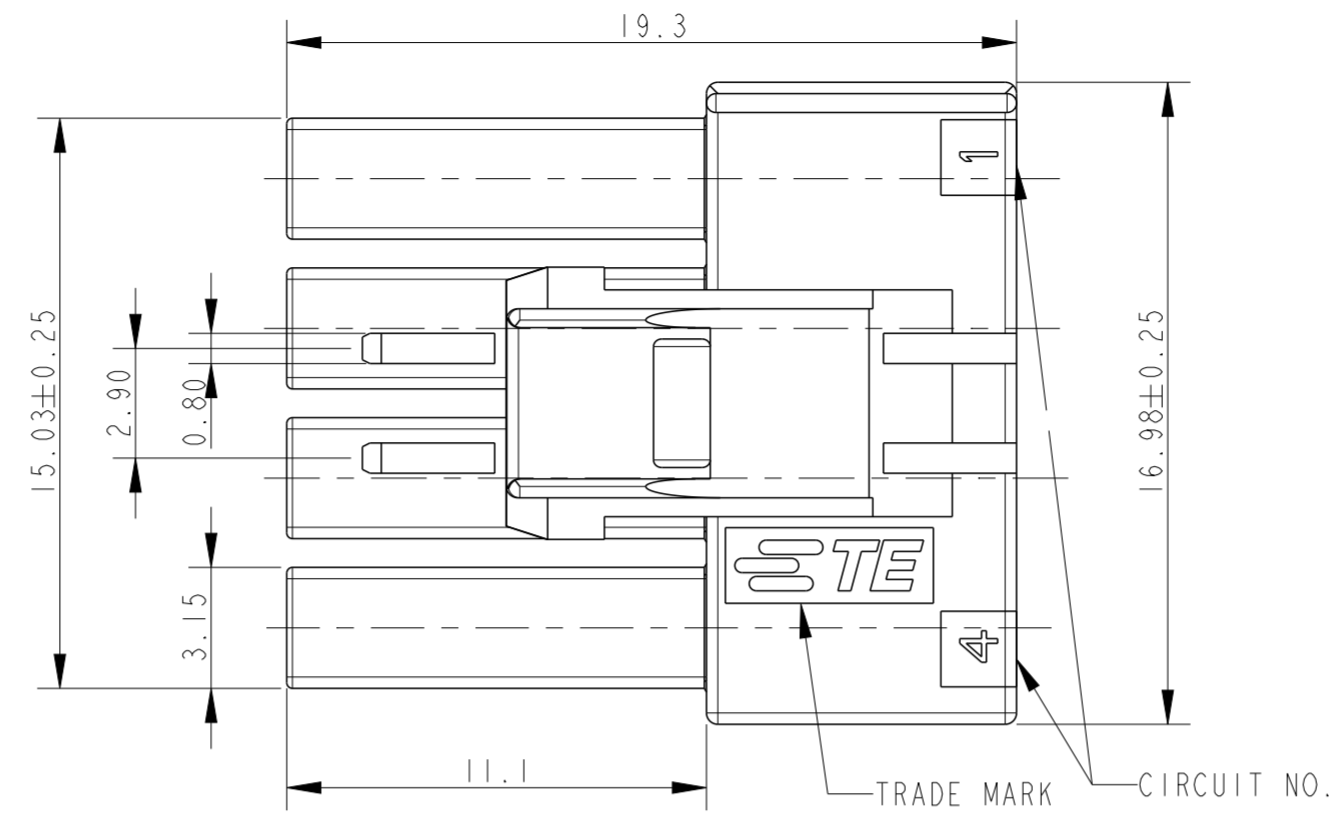
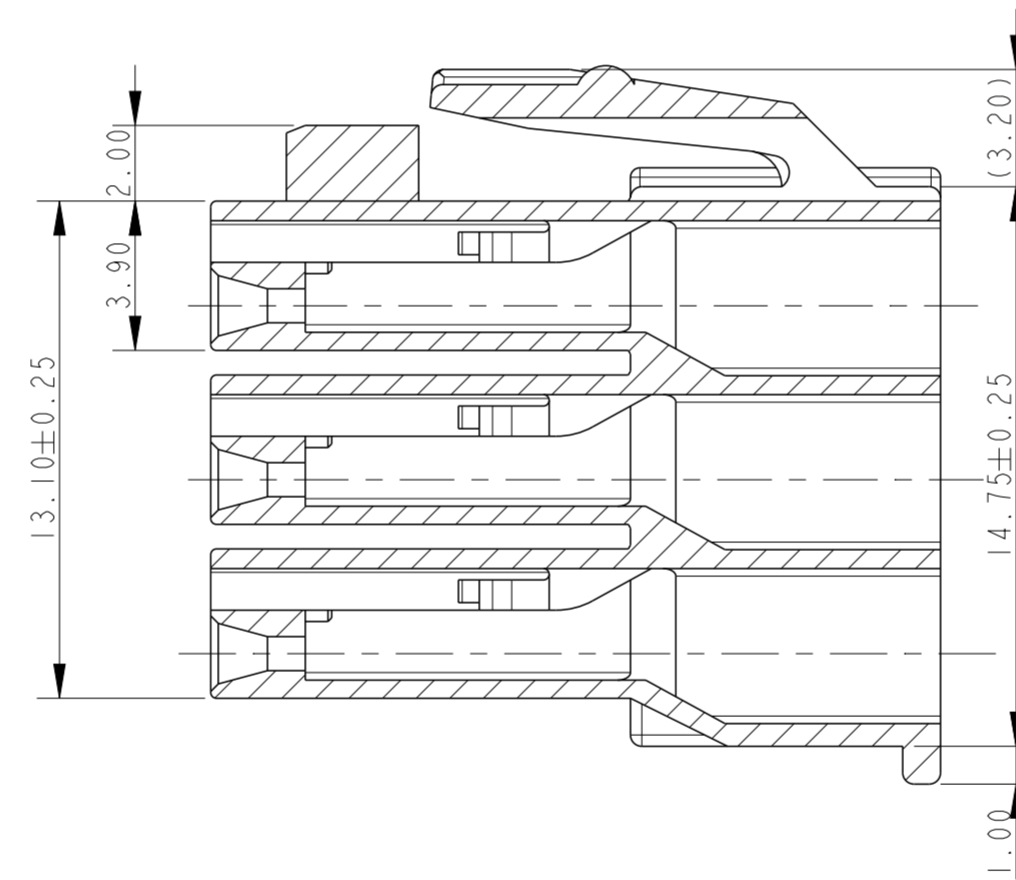
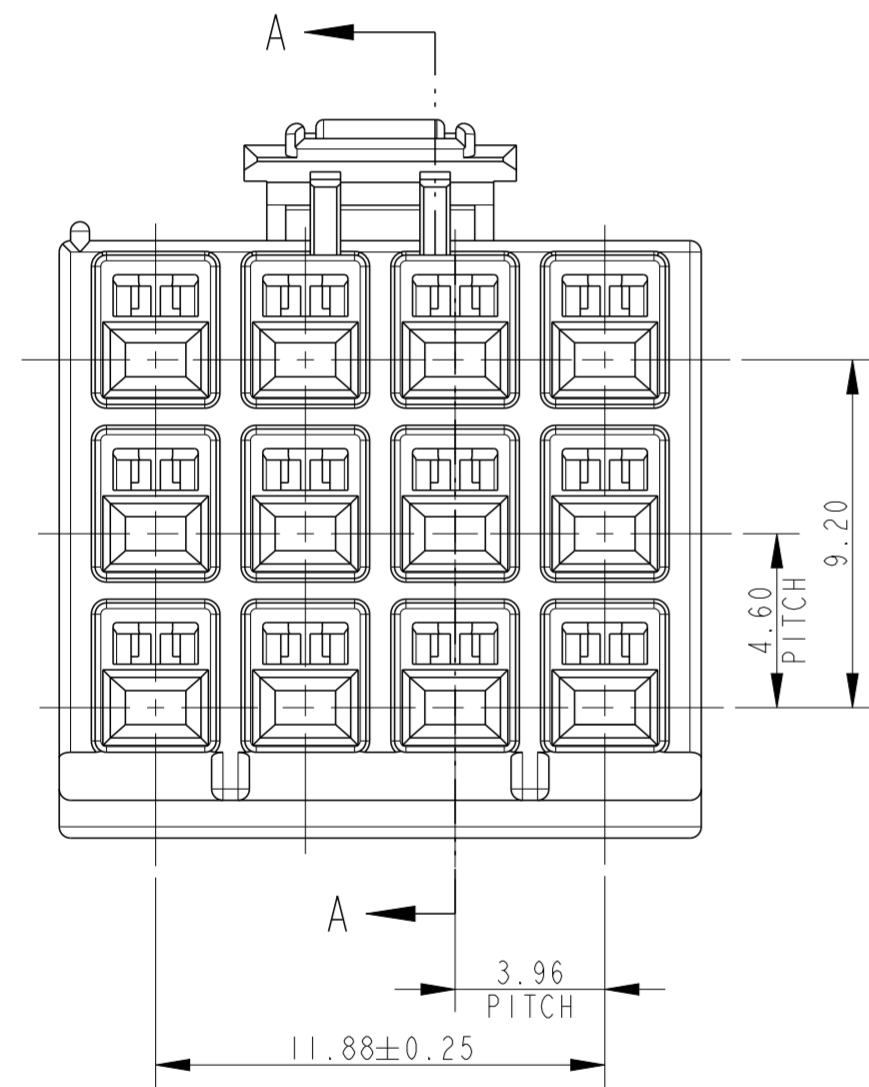


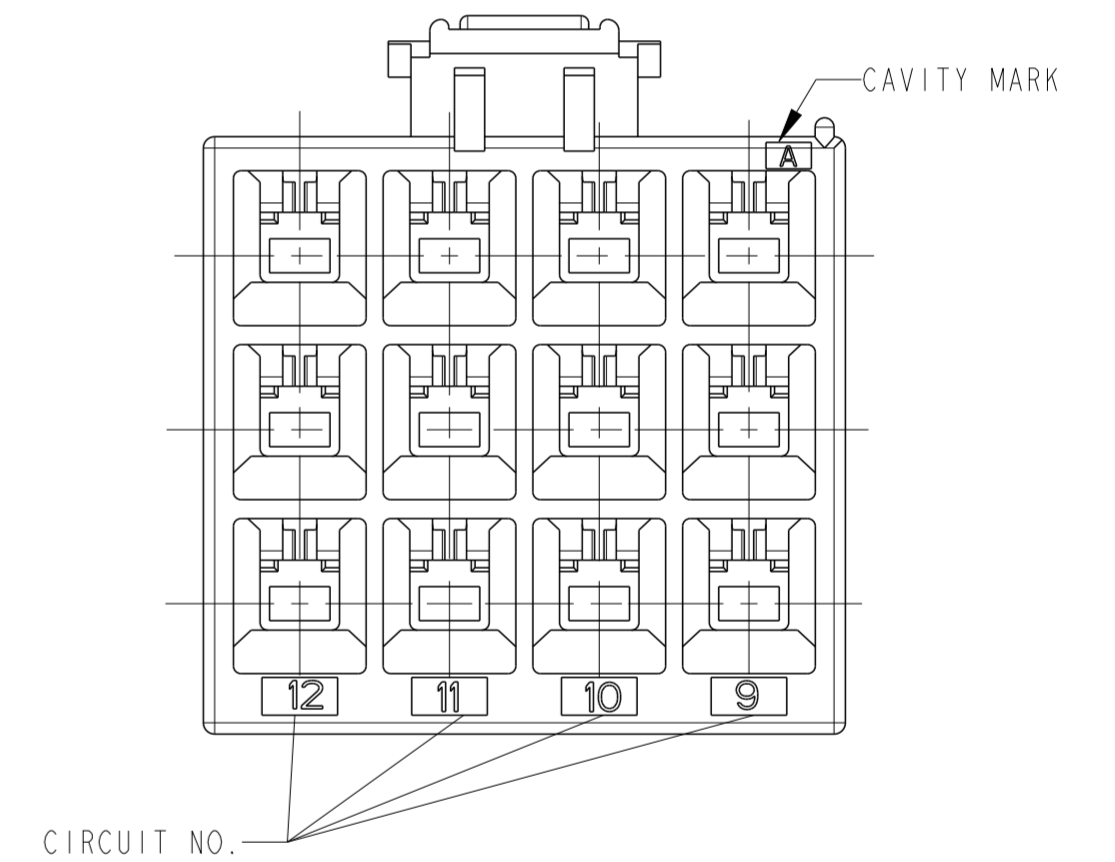
REVISIONS					
P	LTR	DESCRIPTION	DATE	DWN	APVD
C		REVISED PER ECR-20-100642	19SEP2022	M.G	D.Z



- 1 APPLICABLE CONTACT P/N:
 REC CONTACT: 175152-□ (20-16 AWG)
 175151-□ (26-22 AWG)
- 2 MATING CONN. P/N:
 CAP HSG: 176289-□ (FREE HANGING)
 176299-□ (PANEL MOUNT)
- TAB CONTACT: 175150-□ (20-16 AWG)
 175149-□ (26-22 SWG)
- 3 INSTRUCTION SHEET: IS-503J.



SECTION A-A



DEVELOPMENT	HOUSING COLOR	POSITION	PART NUMBER
	BLACK	12	176278-9
	BLUE	12	176278-6
DISCONTINUED	YELLOW	12	176278-4
DISCONTINUED	RED	12	176278-2
	NATURAL	12	176278-1

THIS DRAWING IS A CONTROLLED DOCUMENT.		DWN M. SHINDO 24NOV1989	STE TE Connectivity	
DIMENSIONS: mm		CHK Y. FUJITA 28NOV1989		
TOLERANCES UNLESS OTHERWISE SPECIFIED:		APVD N. ONOUE 28NOV1989	NAME AMP UNIVERSAL POWER CONN 3.96MM PITCH 12 POS PLUG HSG (TPL ROW)	
0 PLC ± 1 PLC ±0.25 2 PLC ±0.20 3 PLC ± 4 PLC ± ANGLES ±3° FINISH -		PRODUCT SPEC 108-5302	RESTRICTED TO	
MATERIAL 6/6 NYLON (UL94V-0)		APPLICATION SPEC 114-5142	SIZE A2	CAGE CODE 00779
		WEIGHT -	DRAWING NO C-176278	REV C
		CUSTOMER DRAWING	SCALE 5:1	SHEET 1 OF 1