

280590 ✓ ACTIVE

AMPMODU | AMPMODU MOD 1

TE Internal #: 280590

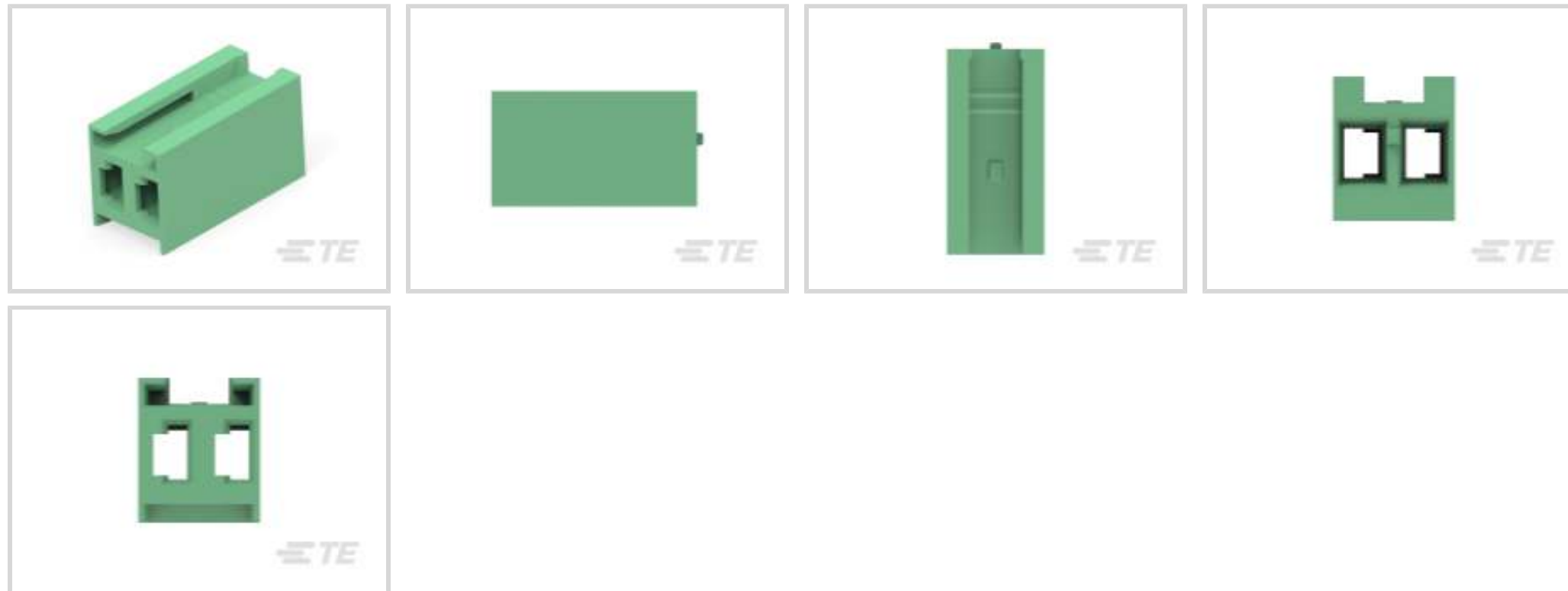
Housing, Receptacle, 2 Position, .156 in [3.96 mm] Centerline, 1

Row, Green, AMPMODU MOD 1

[View on TE.com >](#)



Connectors > PCB Connectors > Wire-to-Board Connectors > Wire-to-Board Connector Assemblies & Housings



Connector Product Type: **Housing**

Connector & Housing Type: **Receptacle**

Number of Positions: **2**

Centerline (Pitch): **3.96 mm [.156 in]**

Number of Rows: **1**

## Features

### Product Type Features

Connector Product Type	Housing
Connector & Housing Type	Receptacle

### Configuration Features

Number of Positions	2
Number of Rows	1

### Body Features

Connector Profile	Standard
Primary Product Color	Green

### Contact Features

Contact Type	Socket
--------------	--------

### Housing Features

Housing Material	Polycarbonate GFF
Centerline (Pitch)	3.96 mm[.156 in]

### Industry Standards

UL Flammability Rating

UL 94V-1

## Product Compliance

[For compliance documentation, visit the product page on TE.com>](#)

EU RoHS Directive 2011/65/EU

Compliant

EU ELV Directive 2000/53/EC

Compliant

China RoHS 2 Directive MIIT Order No 32, 2016

No Restricted Materials Above Threshold

EU REACH Regulation (EC) No. 1907/2006

Current ECHA Candidate List: JUNE 2023 (235)  
 Candidate List Declared Against: JUNE 2023 (235)  
 Does not contain REACH SVHC

Halogen Content

Low Halogen - Br, Cl, F, I < 900 ppm per homogenous material. Also BFR/CFR/PVC Free

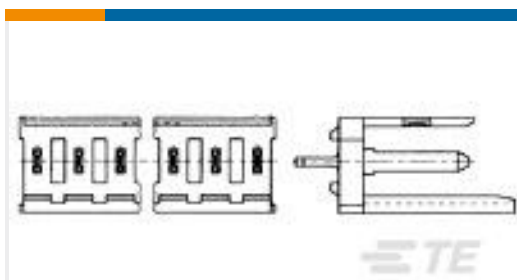
Solder Process Capability

Not applicable for solder process capability

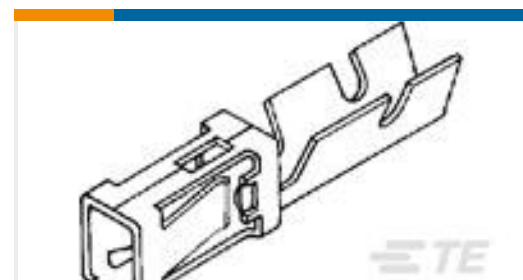
### Product Compliance Disclaimer

This information is provided based on reasonable inquiry of our suppliers and represents our current actual knowledge based on the information they provided. This information is subject to change. The part numbers that TE has identified as EU RoHS compliant have a maximum concentration of 0.1% by weight in homogenous materials for lead, hexavalent chromium, mercury, PBB, PBDE, DBP, BBP, DEHP, DIBP, and 0.01% for cadmium, or qualify for an exemption to these limits as defined in the Annexes of Directive 2011/65/EU (RoHS2). Finished electrical and electronic equipment products will be CE marked as required by Directive 2011/65/EU. Components may not be CE marked. Additionally, the part numbers that TE has identified as EU ELV compliant have a maximum concentration of 0.1% by weight in homogenous materials for lead, hexavalent chromium, and mercury, and 0.01% for cadmium, or qualify for an exemption to these limits as defined in the Annexes of Directive 2000/53/EC (ELV). Regarding the REACH Regulation, the information TE provides on SVHC in articles for this part number is based on the latest European Chemicals Agency (ECHA) 'Guidance on requirements for substances in articles' posted at this URL: <https://echa.europa.eu/guidance-documents/guidance-on-reach>

## Compatible Parts



TE Part # 280609-1  
2P MOD 1 SHROUDED HEADER, ST, TIN PLTD



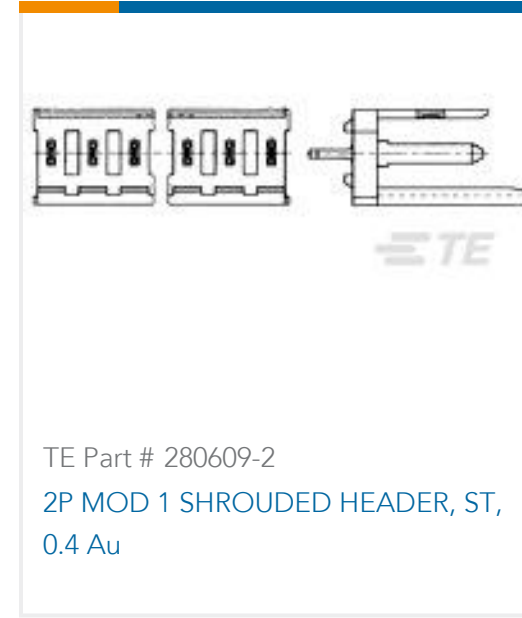
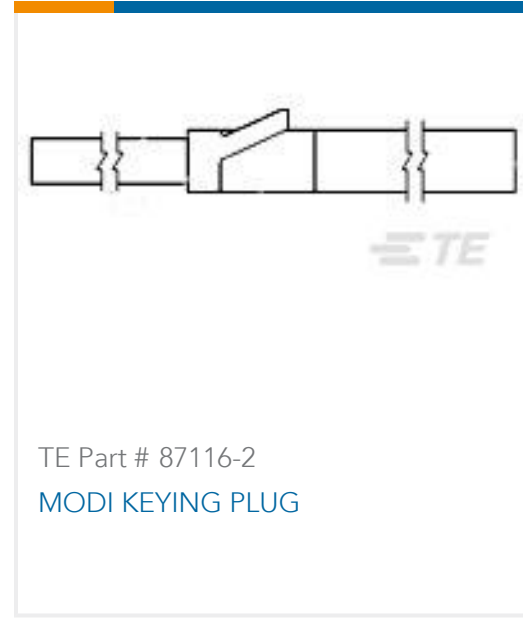
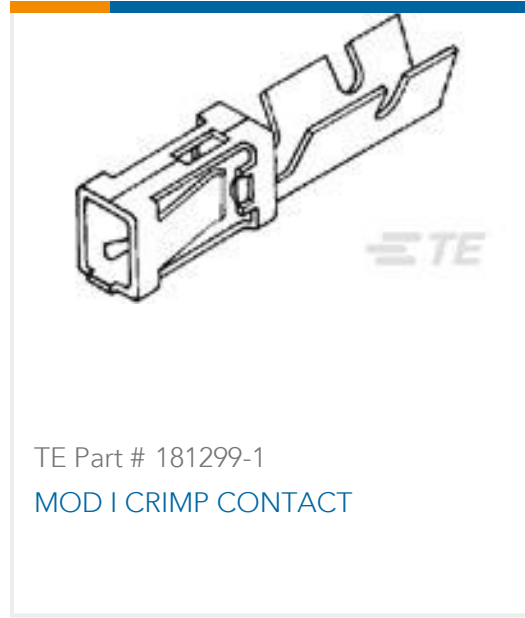
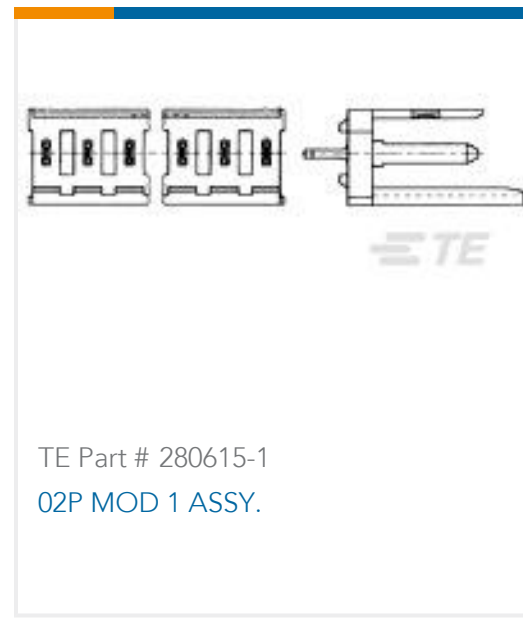
TE Part # 280621-2  
MOD I CONT STRIP



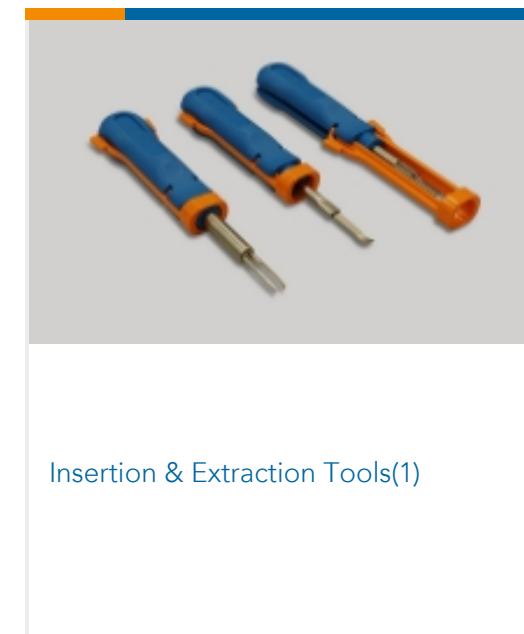
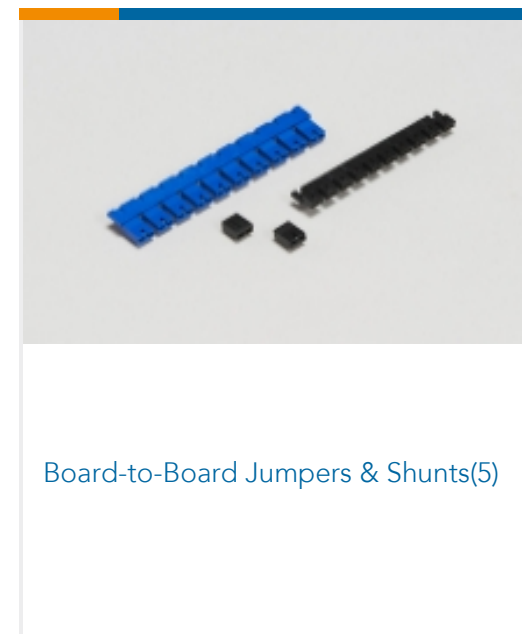
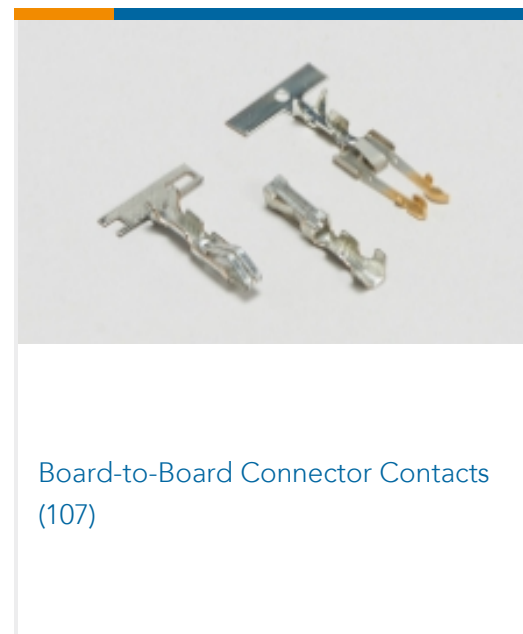
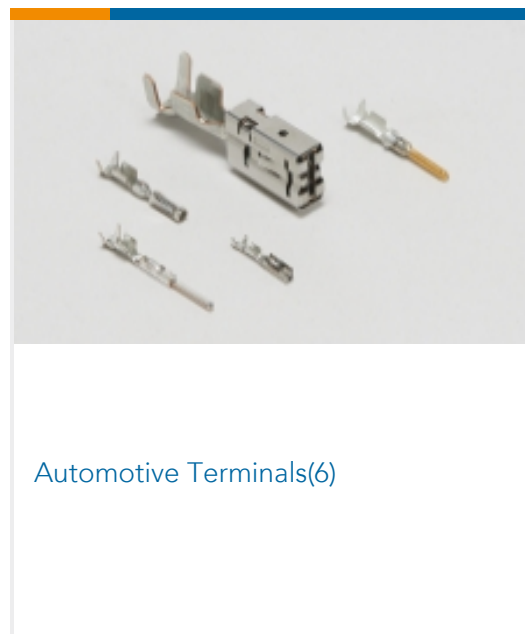
TE Part # 280621-1  
MOD I CRIMP CONTACT



TE Part # 280615-2  
MOD I INCREMENTAL ASSY

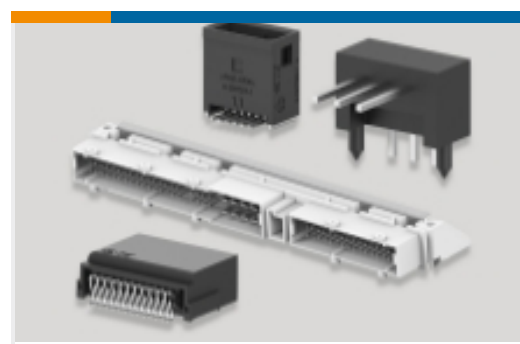


Also in the Series | AMPMODU MOD 1





PCB Connector Keying(2)



PCB Headers &amp; Receptacles(358)

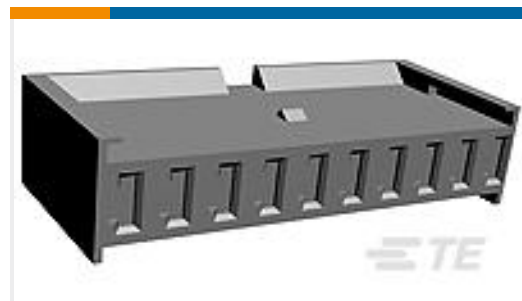
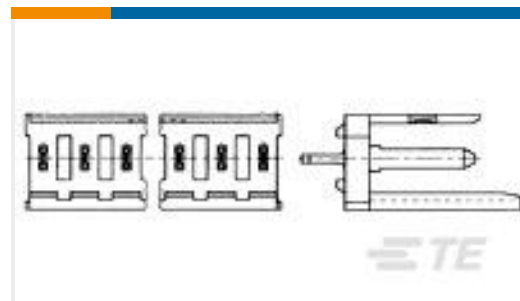
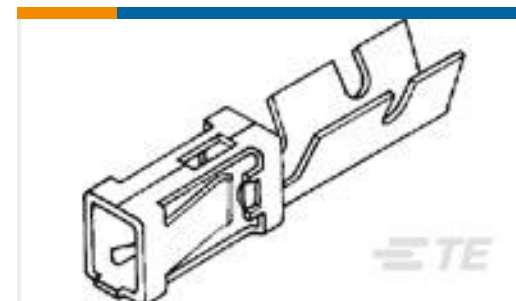
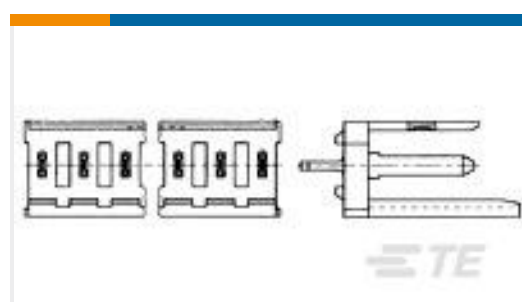
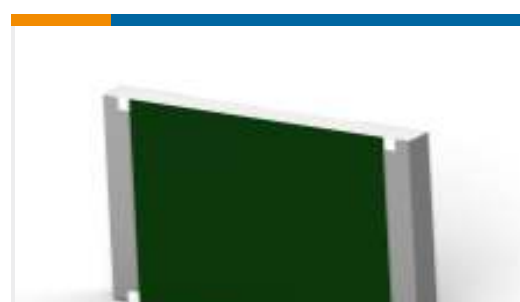
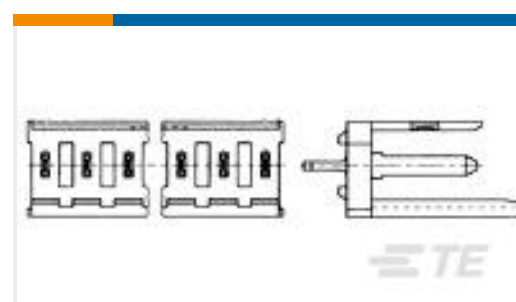
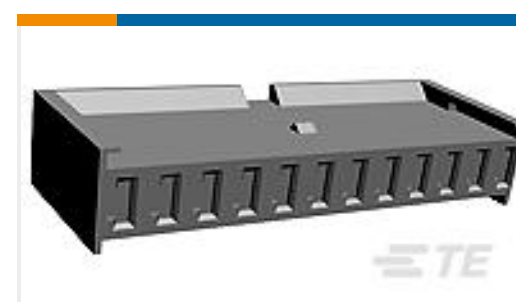


Wire-to-Board Connector Assemblies &amp; Housings(44)



Wire-to-Board Connector Contacts(2)

## Customers Also Bought

TE Part #280594  
AMP MODU MOD I RECEPT HSGTE Part #280613-1  
10P MOD 1 SHROUDED HEADER, ST,  
TIN PLTDTE Part #280360  
AMPMODU II REC. HSG, SINGLE  
ROW 6 POSTE Part #280621-1  
MOD I CRIMP CONTACTTE Part #280615-1  
02P MOD 1 ASSY.TE Part #7-2176407-9  
3560 4R7 5%TE Part #280614-1  
12P MOD 1 SHROUDED HEADER, ST,  
TIN PLTDTE Part #280595  
AMP MODU MOD I RECEPT HSG

## Documents

### Product Drawings

#### AMPMODU MOD I REC HOUSING

English

### CAD Files

#### 3D PDF

English

#### Customer View Model

[ENG\\_CVM\\_280590\\_G.3d\\_igs.zip](#)

English

#### Customer View Model

[ENG\\_CVM\\_280590\\_G.3d\\_stp.zip](#)

English

#### Customer View Model

[ENG\\_CVM\\_280590\\_G.2d\\_dxf.zip](#)

English

By downloading the CAD file I accept and agree to the [Terms and Conditions](#) of use.



---

## Product Specifications

### Product Specification

English

---

## Product Environmental Compliance

### MD\_280590\_0525201237

English

### MD\_280590\_0525201237

English

---

## Agency Approvals

### UL Report

English