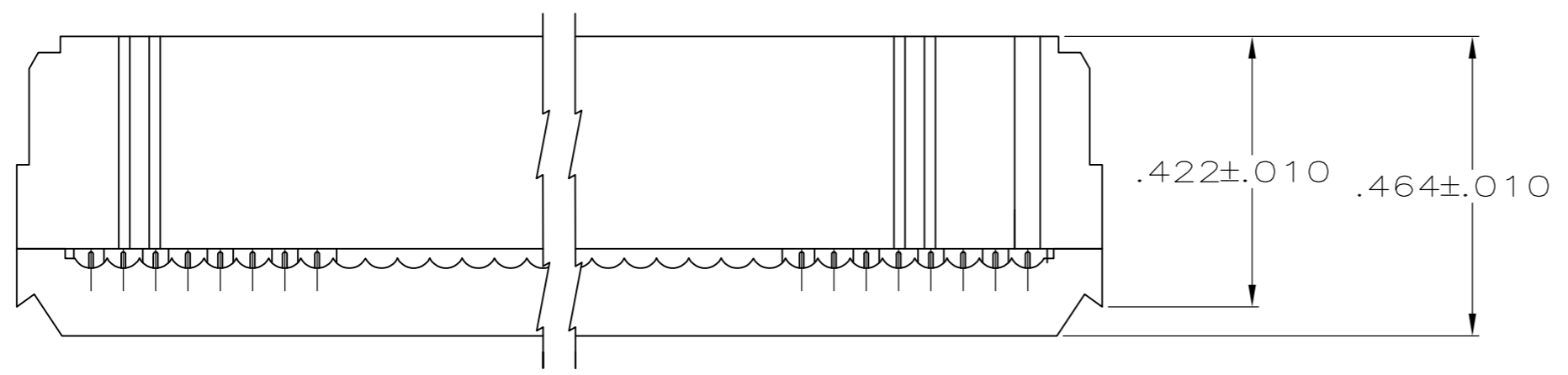


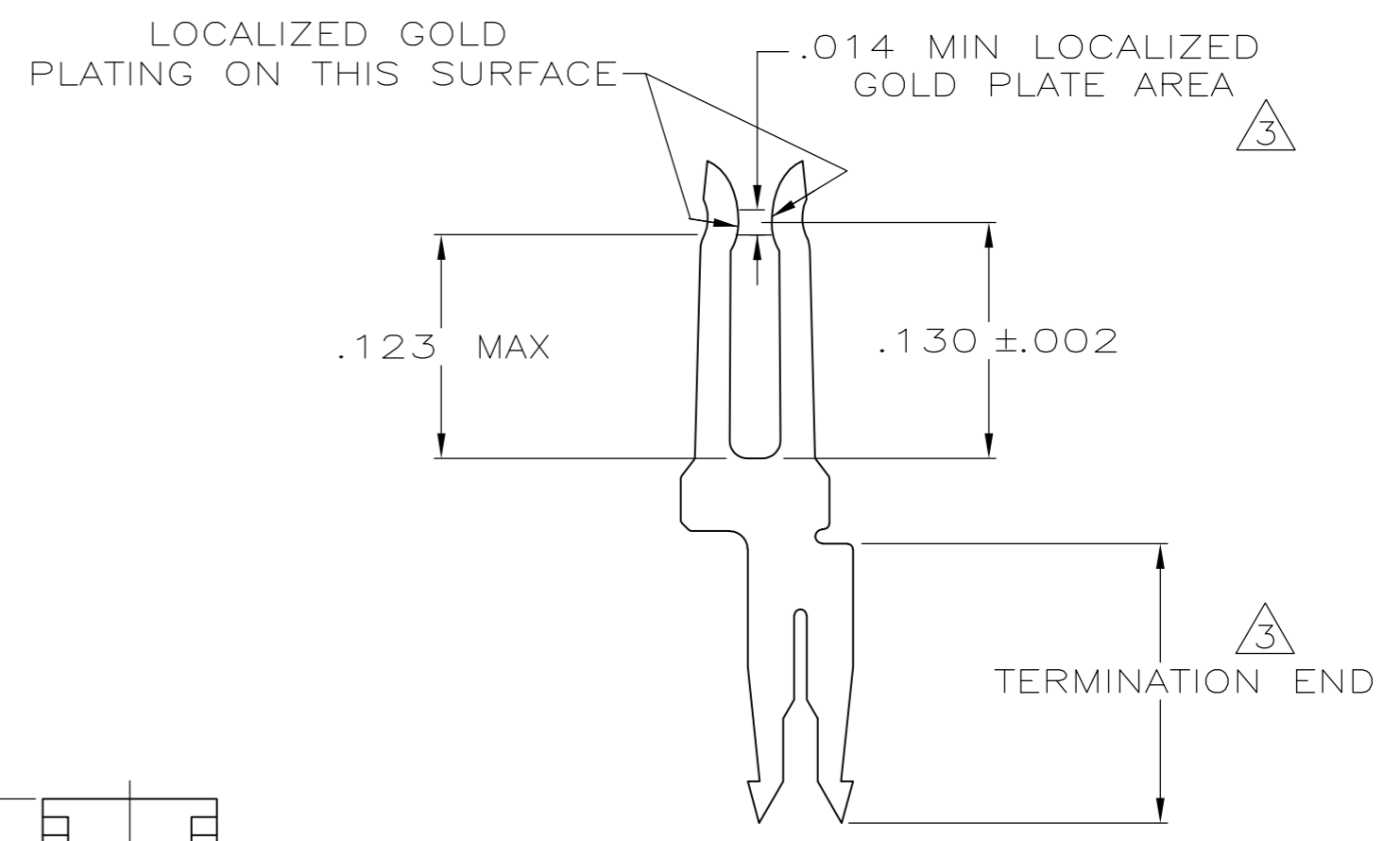
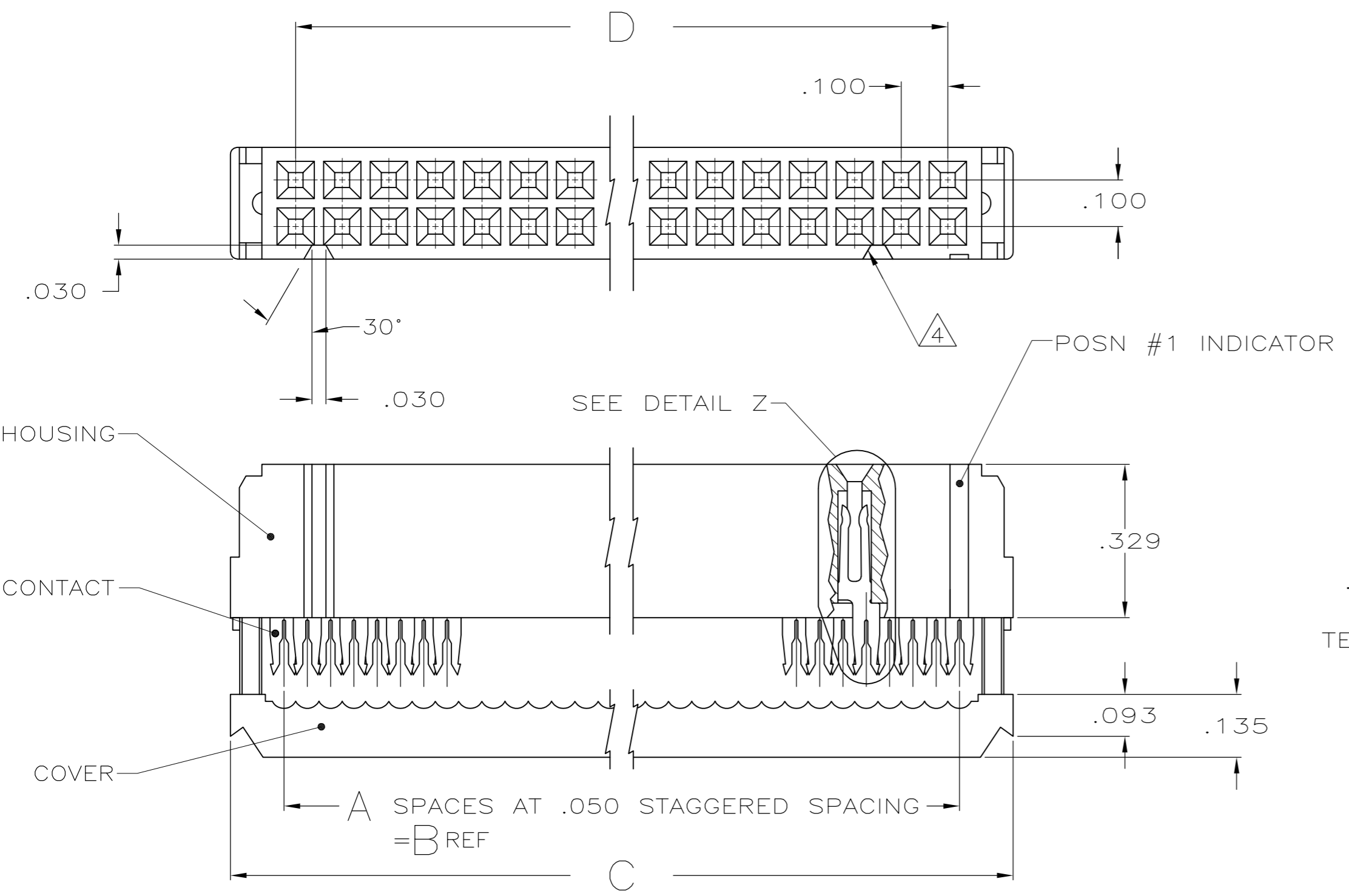
THIS DRAWING IS UNPUBLISHED. RELEASED FOR PUBLICATION  
 © COPYRIGHT - By - ALL RIGHTS RESERVED.

LOC		DIST		REVISIONS			
P	LTR	DESCRIPTION		DATE	DWN	APVD	
GP	00	E1	REVISED PER ECO-11-004835		11MAR11	RK	HMR

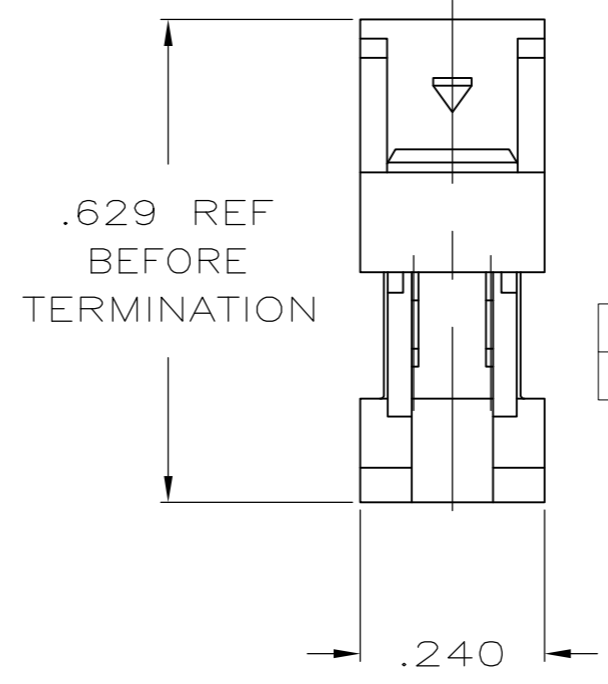
- ① MOLDED PARTS: UL RATED 94V-0 THERMOPLASTIC, BLACK.
- ② CONTACTS: PHOSPHOR BRONZE PER QQ-B-750.
- ③ CONTACTS: PLATED WITH .000030 MIN GOLD IN LOCALIZED GOLD PLATE AREA, .000050 MIN TIN ON TERMINATION END, ALL OVER .000050 MIN NICKEL ON ENTIRE CONTACT.  
OR  
GOLD FLASH OVER PALLADIUM-NICKEL PLATE .000030 MIN TOTAL IN LOCALIZED GOLD PLATE AREA, .000050 MIN TIN ON TERMINATION END, ALL OVER .000050 MIN NICKEL ON ENTIRE CONTACT.
- ④ POLARIZING FEATURE DOES NOT EXIST ON SAME END AS THE POSN #1 INDICATOR ON 10 AND 14 POSN PRODUCT.



TERMINATED VIEW



DETAIL Z  
SCALE 10:1  
TYPICAL



OBSOLETE	3.100	3.380	3.150	63	64	1-1658623-2
OBSOLETE	2.900	3.180	2.950	59	60	1-1658623-1
	2.400	2.680	2.450	49	50	1-1658623-0
	1.900	2.180	1.950	39	40	1658623-9
	1.600	1.880	1.650	33	34	1658623-8
	1.400	1.680	1.450	29	30	1658623-7
	1.200	1.480	1.250	25	26	1658623-6
	1.100	1.380	1.150	23	24	1658623-5
	.900	1.180	.950	19	20	1658623-4
	.700	.980	.750	15	16	1658623-3
	.600	.880	.650	13	14	1658623-2
	.400	.680	.450	9	10	1658623-1
	D	C	B	A	NO OF POSN	PART NUMBER

THIS DRAWING IS A CONTROLLED DOCUMENT.

DIMENSIONS: INCHES	TOLERANCES UNLESS OTHERWISE SPECIFIED:	DWN R. SAMICK 25AUG03	TE Connectivity RECEPTACLE ASSY, MILITARY POLARIZATION, LEAD FREE, AMP-LATCH™ NOVO
	0 PLC ± -	CHK C. ROHDE 25AUG03	
	1 PLC ± -	APVD M. WALMSLEY 25AUG03	
	2 PLC ± -	PRODUCT SPEC 108-40000	
MATERIAL SEE NOTES	FINISH SEE NOTES	3 PLC ± .005	APPLICATION SPEC 114-40005
		4 PLC ± -	WEIGHT -
		ANGLES ± 5°	SIZE A2 CAGE CODE 00779
			DRAWING NO C=1658623
			RESTRICTED TO -
			SCALE 4:1 SHEET 1 of 1 REV E1