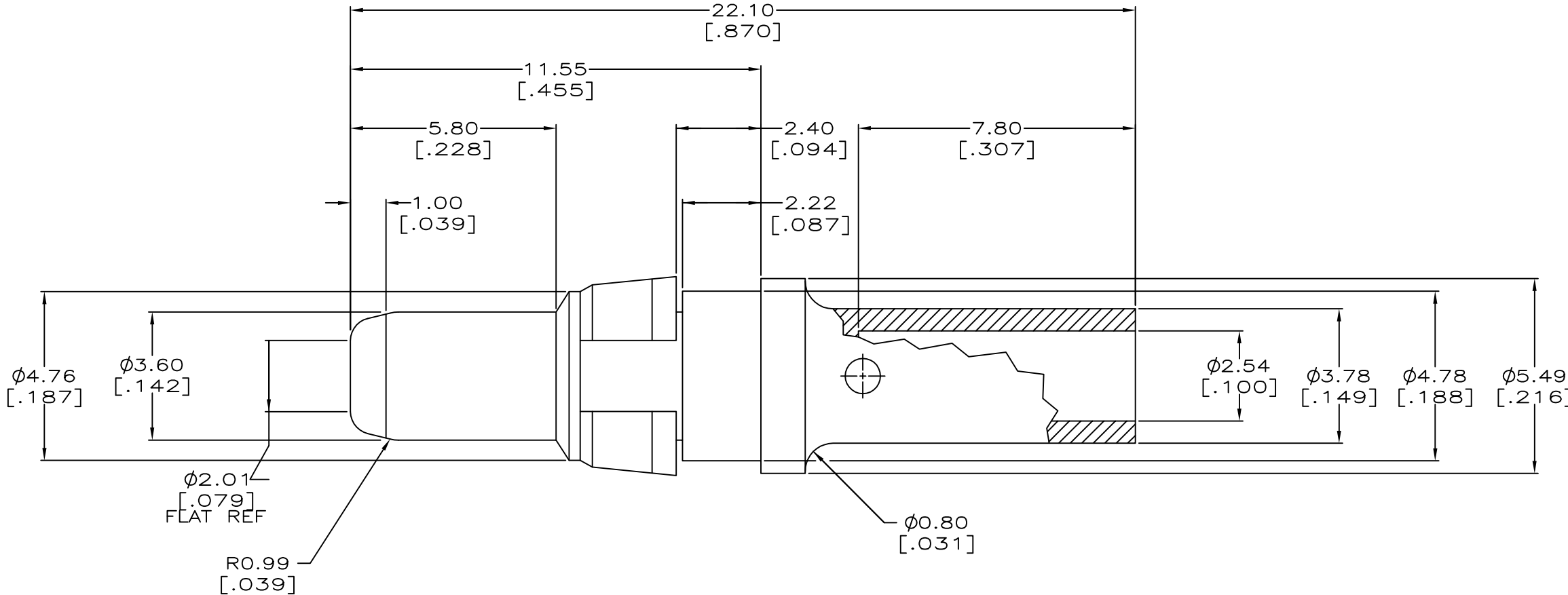


THIS DRAWING IS UNPUBLISHED. RELEASED FOR PUBLICATION  
 © COPYRIGHT - By - ALL RIGHTS RESERVED.

LOC	DIST	REVISIONS					
		P	LTR	DESCRIPTION	DATE	DWN	APVD
AD	25	D		REV PER EC 0U1B-0221-01	08 NOV 01	BC	CR
		E		REV PER EC R-15-012900	08 SEP 15	DS	FY



OBSOLETE

- △ CONTACT: BRASS.  
RETAINING RING: BERYLLIUM COPPER.
- △ CONTACT: 0.76 μm [.000030] MIN GOLD  
OVER 1.27 μm [.000050] MIN NICKEL.
- 3. WIRE BARREL WILL ACCEPT 12-14 AWG WIRE.
- 4. MATES WITH 148221-1.
- 5. RECOMMENDED CRIMPING TOOL: DANIELS TOOL  
#M300-BT, POSITIONER PART NUMBER SP689,  
SETTING #1, STRIP LENGTH 8.13 [.320].

148248-1  
PART NUMBER

THIS DRAWING IS A CONTROLLED DOCUMENT.		DWN B. CARBO 22 MAR 00	<b>STE</b> TE Connectivity	
DIMENSIONS: INCHES		CHK C. RICHARD 22 MAR 00		
TOLERANCES UNLESS OTHERWISE SPECIFIED:		APVD C. RICHARD 22 MAR 00	NAME	
0 PLC ± -		PRODUCT SPEC		
1 PLC ± -		APPLICATION SPEC		
2 PLC ± 0.13 [.005]		SIZE	CAGE CODE	DRAWING NO
3 PLC ± -		A2	00779	C=148248
4 PLC ± -		RESTRICTED TO		
ANGLES ± -		WEIGHT		
FINISH		CUSTOMER DRAWING		
MATERIAL △ 1		SCALE 10:1		SHEET 1 of 1
FINISH △ 2		REV E		