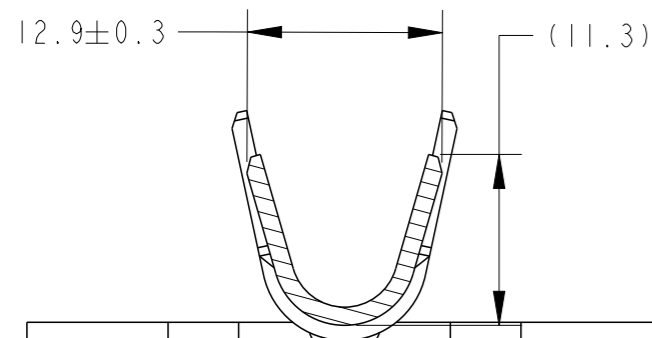
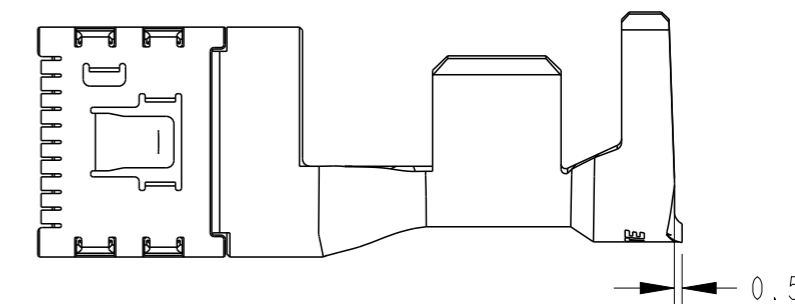
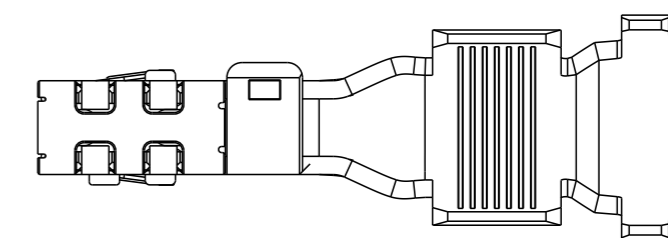
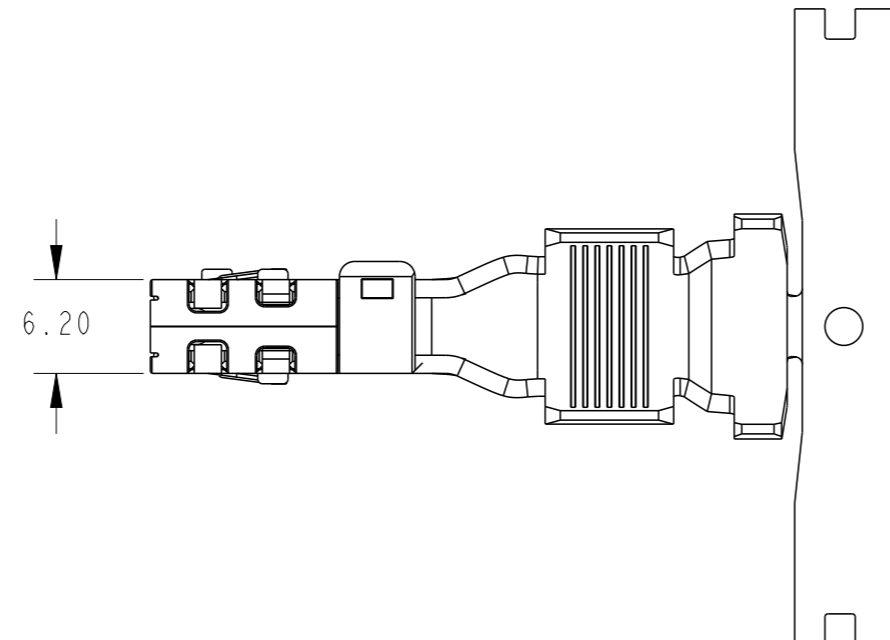
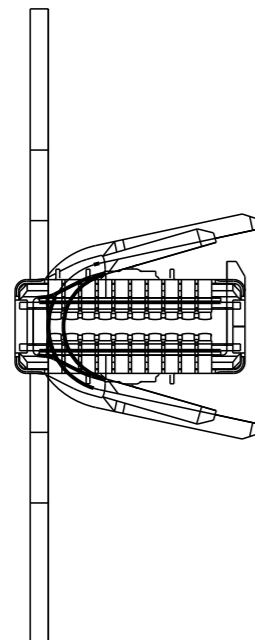
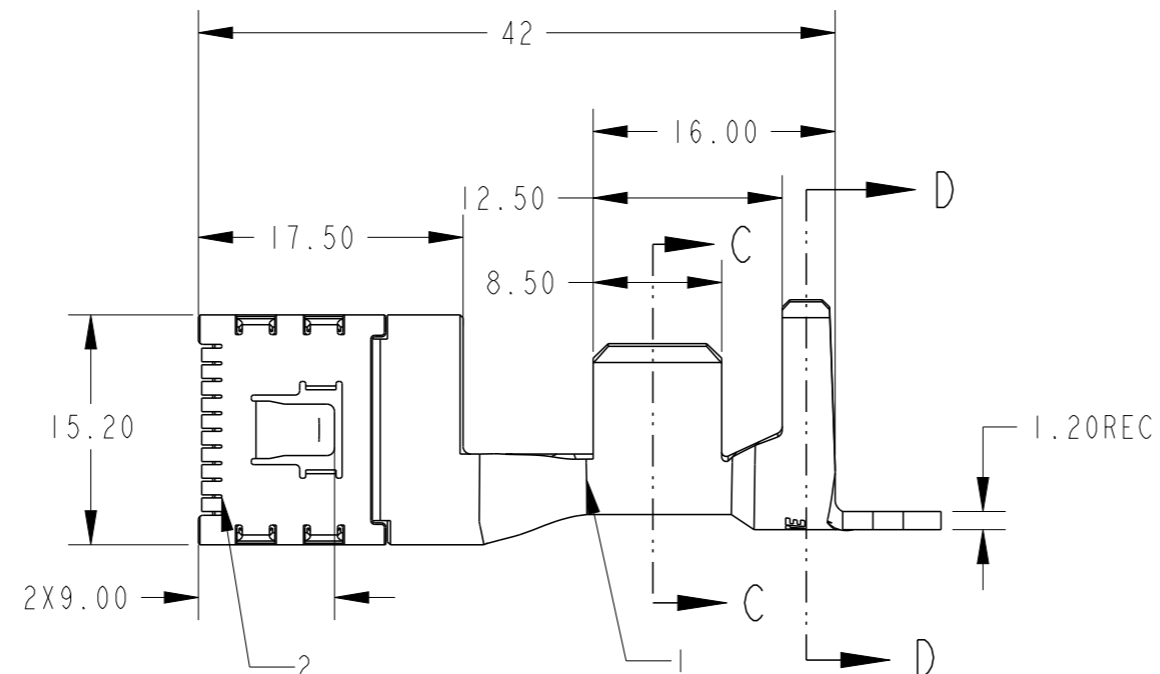


P	LTR	DESCRIPTION	DATE	DWN	APVD
	A	INITIAL	23JUN2020	A.W	R.B
	AI	ADD NEW PART FOR LOOSE PIECE	29MAY2023	F.Z	R.B

2373747-5 AS SHOWN



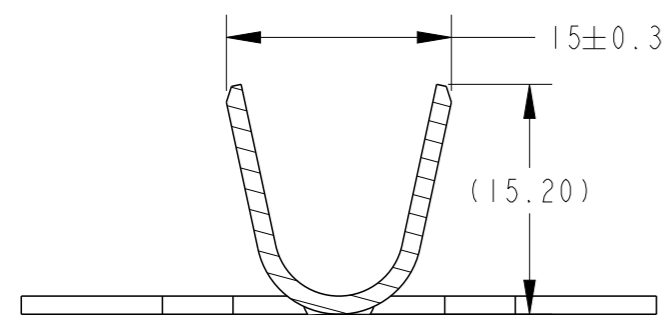
SECTION C-C  
SCALE 2:1



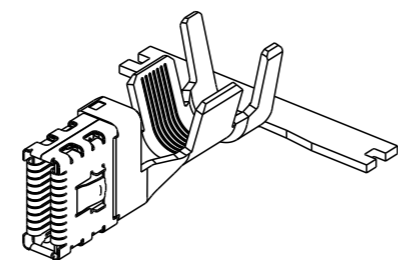
PN: 2373747-5  
(CONTACT WITH CARRIER)

SCALE 2:1  
PN: 2373747-6  
(CONTACT W/O CARRIER)


NOTE  
1. APPLICABLE WIRE RANGE: AHHEX 25SQ



SECTION D-D  
SCALE 2:1



NO.	DESCRIPTION	MATERIAL	FINISH	P/N
2	LOOSE PIECE	COPPER ALLOY	Ag	2373747-6
1	SPRING	COPPER ALLOY	Ag	2373747-5
1	BODY	COPPER ALLOY	Ag	

THIS DRAWING IS A CONTROLLED DOCUMENT.		DWN ALVIN.W 22JUN2020	 TE Connectivity
DIMENSIONS: mm		CHK RICK.B 22JUN2020	
TOLERANCES UNLESS OTHERWISE SPECIFIED:		APVD RICK.B 22JUN2020	
0 PLC ±0.3 1 PLC ±0.3 2 PLC ±0.3 3 PLC ±0.3 4 PLC ±0.3 ANGLES ±3		PRODUCT SPEC 108-78768	
MATERIAL TBD		APPLICATION SPEC 114-78058	NAME REC CONTACT DYNAMIC 8000
		WEIGHT -	SIZE A3 CAGE CODE 00779 DRAWING NO C-2373747 RESTRICTED TO -
CUSTOMER DRAWING			SCALE 1:1 SHEET 1 OF 1 REV AI