

THIS DRAWING IS UNPUBLISHED.

RELEASED FOR PUBLICATION

-. - .

© COPYRIGHT - By -

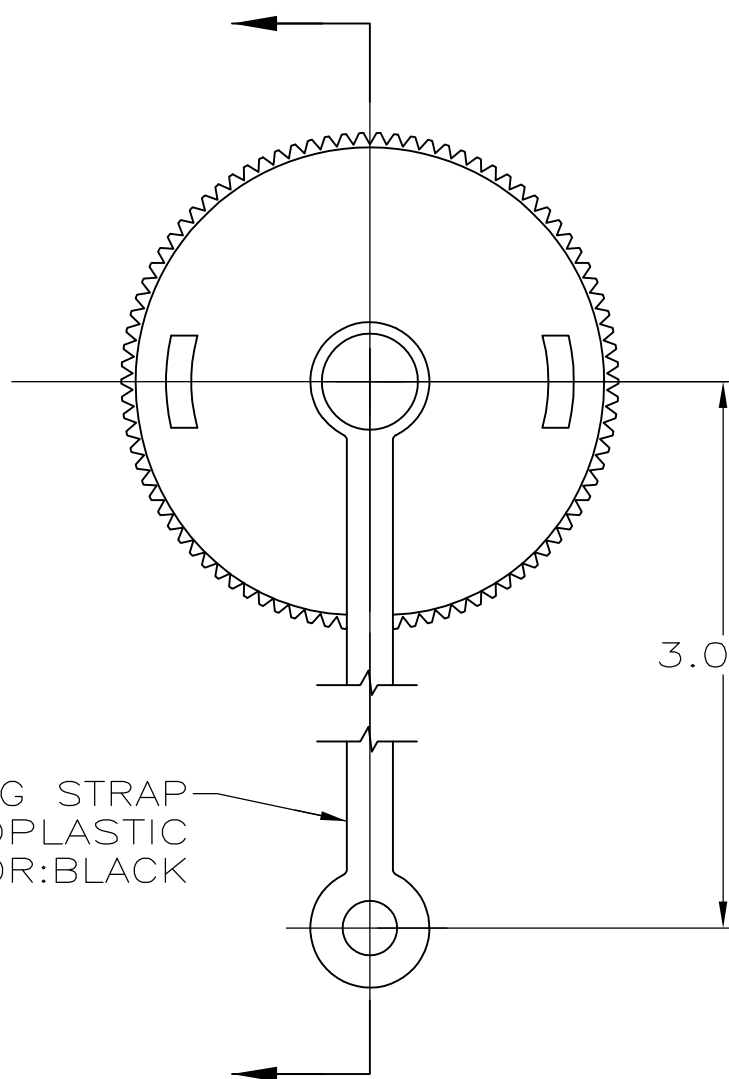
ALL RIGHTS RESERVED.

LOC
FT

DIST
4

REVISIONS

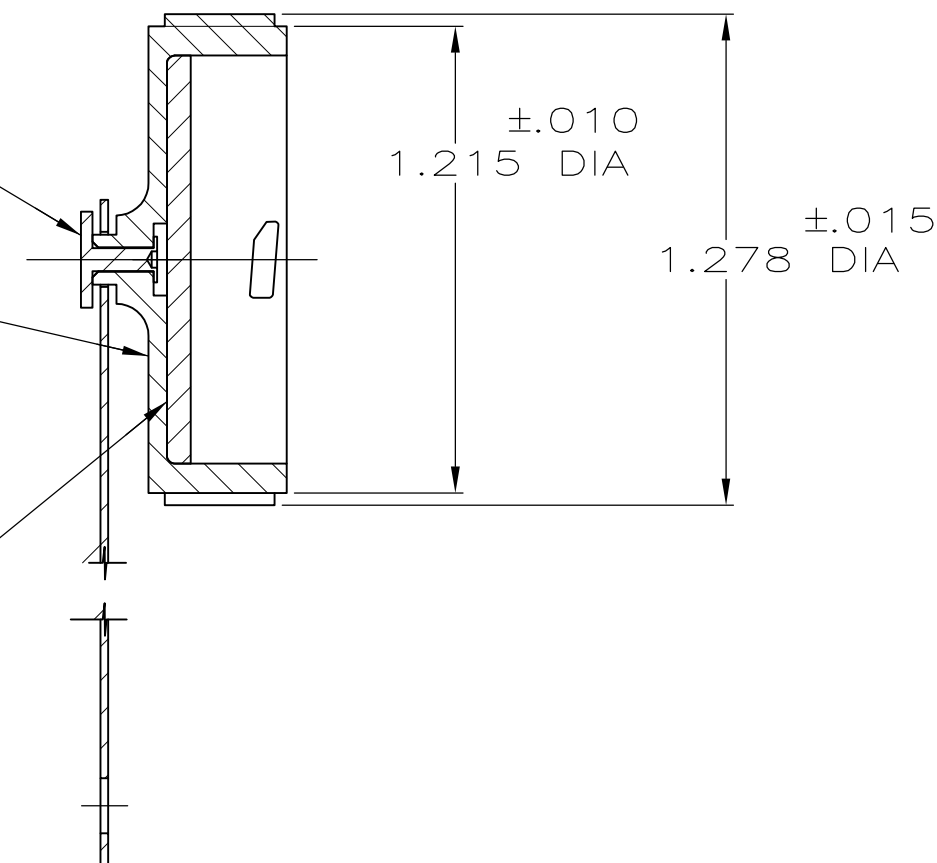
P	LTR	DESCRIPTION	DATE	DWN	APVD
G1		REVISED PER ECO-11-004820	11MAR11	RK	HMR



RIVET
MATERIAL: CARBON STEEL
FINISH: ZINC PLATE
W/CLEAR CHROMATE

SEALING CAP
MATERIAL: THERMOPLASTIC
COLOR: BLACK

SEALING GASKET
MATERIAL: NEOPRENE
RUBBER
SEE TABLE



MOUNTING STRAP
MATERIAL: THERMOPLASTIC
COLOR: BLACK

3.000 ± 0.030

±.010
1.215 DIA

±.015
1.278 DIA

SUPERCEDED BY 207445-3

YES	YES	207445-3
YES	NO	207445-2
NO	YES	207445-1
ROHS COMPLIANT	SEALING GASKET	PART NUMBER

THIS DRAWING IS A CONTROLLED DOCUMENT.		DWN S.RIDGLEY 7/30/90 BG												
DIMENSIONS: INCHES		CHK R.STONE 4-26-91												
TOLERANCES UNLESS OTHERWISE SPECIFIED:		APVD K.BEAVER 4-30-91												
<table border="1"> <tr><td>0 PLC</td><td>± -</td></tr> <tr><td>1 PLC</td><td>± -</td></tr> <tr><td>2 PLC</td><td>± -</td></tr> <tr><td>3 PLC</td><td>± .005</td></tr> <tr><td>4 PLC</td><td>± -</td></tr> <tr><td>ANGLES</td><td>± -</td></tr> </table>		0 PLC	± -	1 PLC	± -	2 PLC	± -	3 PLC	± .005	4 PLC	± -	ANGLES	± -	NAME
0 PLC	± -													
1 PLC	± -													
2 PLC	± -													
3 PLC	± .005													
4 PLC	± -													
ANGLES	± -													
MATERIAL SEE CALLOUTS		FINISH SEE CALLOUTS												
		PRODUCT SPEC												
		APPLICATION SPEC												
		WEIGHT												
		CUSTOMER DRAWING												

STE TE Connectivity			
SEALING CAP ASSY, SIZE 17, CPC			
SIZE	CAGE CODE	DRAWING NO	RESTRICTED TO
A3	00779	C-207445	-
SCALE		SHEET	REV
2:1		1 OF 1	G1