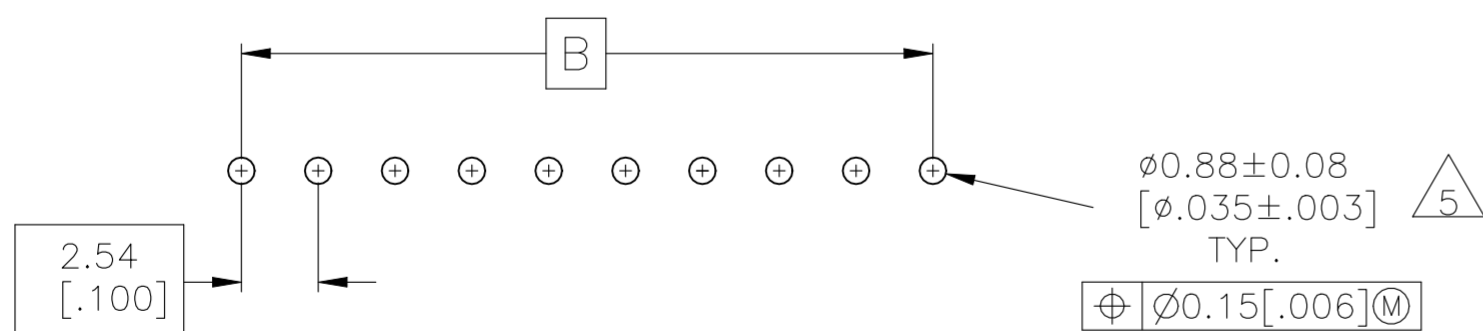
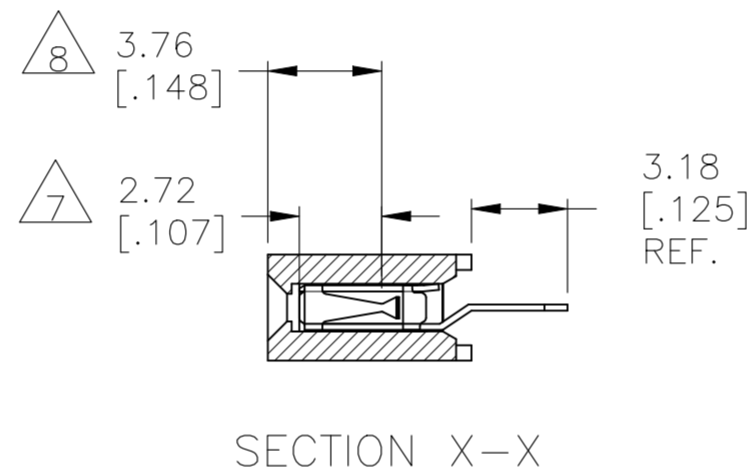
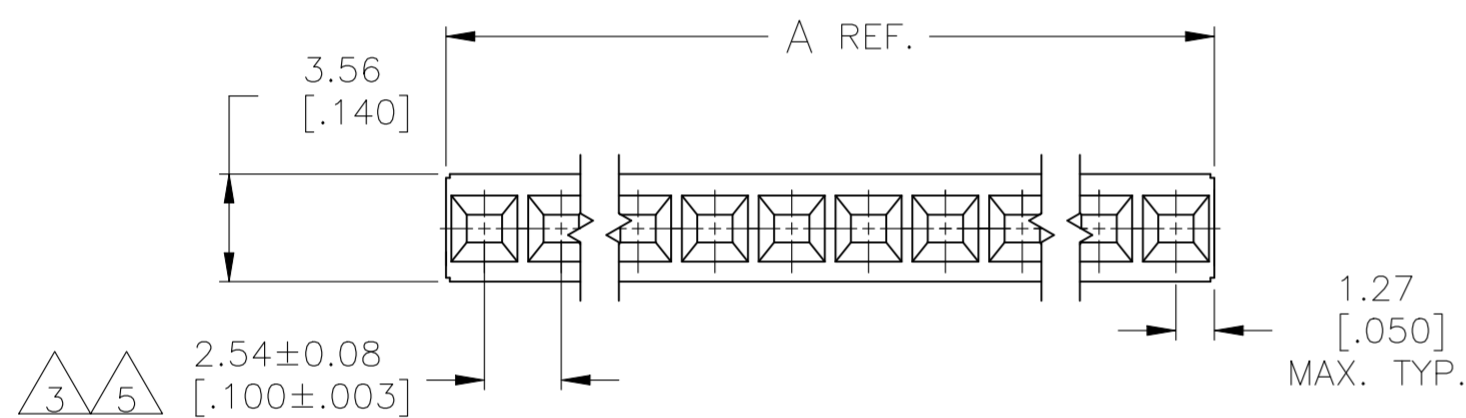
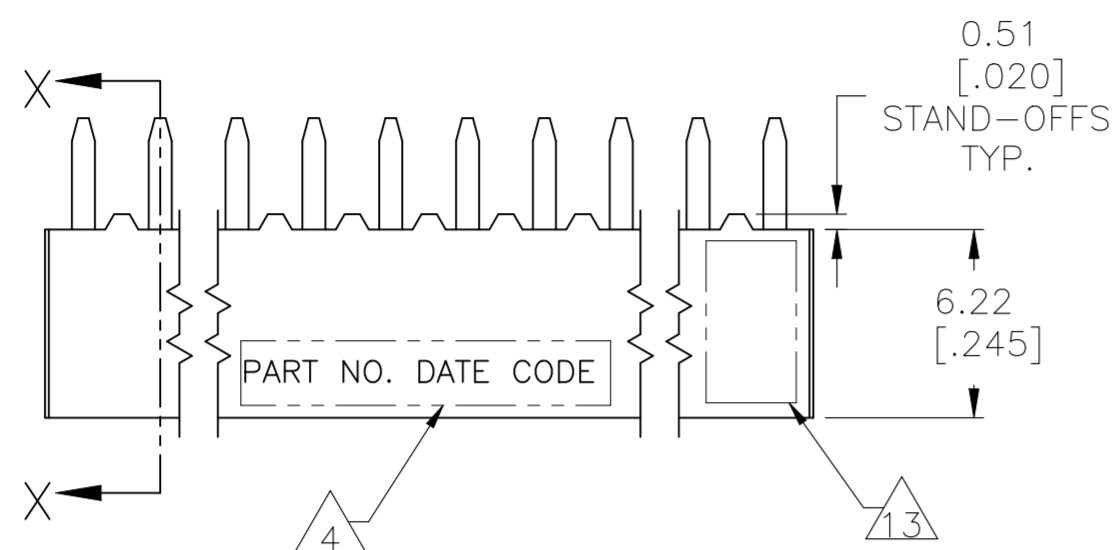


REVISIONS				
P	LTR	DESCRIPTION	DATE	APVD
S		HOUSING RESIN CHANGED	25OCT2021	SCB KJK



- 1 HOUSING: FLAME RETARDANT, GLASS FILLED, THERMOPLASTIC, COLOR: BLACK. CONTACT: PHOSPHOR BRONZE
- 2 CONTACT: 2.54–5.08µm[.000100–.000200] BRIGHT TIN-LEAD OVER 1.27µm[.000050] NICKEL
- 3 THESE DIMENSIONS PERTAIN TO CAVITY CENTERLINES ONLY – NOT TO CONTACT LOCATIONS
- 4 MARK PART NUMBER AND DATE CODE IN APPROXIMATE LOCATION SHOWN, EITHER SIDE.
- 5 TOLERANCE IS NON-CUMULATIVE.
- 6 2 POSITION DATE CODE IS MARKED OPPOSITE SIDE OF TE LOGO.
- 7 POINT-OF-MEASUREMENT DIMENSION FOR PLATING THICKNESS (INSIDE CONTACT BEAM).
- 8 POINT-OF-CONTACT DIMENSION.
- 9 CONTACT: 3.81–7.62µm[.000150–.000300] MATTE TIN OVER 1.27µm[.000050] MIN. NICKEL
- 11 ROHS 2002/95/EC COMPLIANT
- 12 NO PART NUMBER MARKING REQUIRED FOR THIS PART.
- 13 TE LOGO AND CSA LOGO MOLDED INTO HOUSING, THIS LOCATION.

THIS DRAWING IS A CONTROLLED DOCUMENT.		DWN M.BINNER 05NOV02	TE Connectivity Ltd.	
DIMENSIONS: mm [INCHES]		CHK J.OLSON 05NOV02		
TOLERANCES UNLESS OTHERWISE SPECIFIED:		APVD J.OLSON 05NOV02	NAME RECPT. ASSY., MOD IV, SINGLE ROW, .100 CL., VERTICAL BOARD MOUNT, CLOSED, TOP ENTRY, SHORT PNT. OF CONTACT	
0 PLC ± -		PRODUCT SPEC 108-25022	SIZE A2	CAGE CODE 00779
1 PLC ± -		APPLICATION SPEC 114-25018	DRAWING NO C=535584	RESTRICTED TO -
2 PLC ± 0.25[.010]		MATERIAL 1	WEIGHT -	SCALE 4:1
3 PLC ± 0.13[.005]		FINISH 2	SHEET 1 of 2	REV S
4 PLC ± -		CUSTOMER DRAWING		
ANGLES ± -				

REVISIONS

P	LTR	DESCRIPTION	DATE	DWN	APVD
-	-	SEE SHEET 1	-	-	-

FINISH	B	A	NO OF POSN	PART NUMBER
	2.54 [.100]	5.08 [.200]	2	8-535584-9
	96.52 [3.800]	99.06 [3.900]	39	8-535584-8
	93.98 [3.700]	96.52 [3.800]	38	8-535584-7
	91.44 [3.600]	93.98 [3.700]	37	8-535584-6
	88.90 [3.500]	91.44 [3.600]	36	8-535584-5
	86.36 [3.400]	88.90 [3.500]	35	8-535584-4
	83.82 [3.300]	86.36 [3.400]	34	8-535584-3
	81.28 [3.200]	83.82 [3.300]	33	8-535584-2
	78.74 [3.100]	81.28 [3.200]	32	8-535584-1
	76.20 [3.000]	78.74 [3.100]	31	8-535584-0
	71.12 [2.800]	73.66 [2.900]	29	7-535584-9
	68.58 [2.700]	71.12 [2.800]	28	7-535584-8
	66.04 [2.600]	68.58 [2.700]	27	7-535584-7
	63.50 [2.500]	66.04 [2.600]	26	7-535584-6
	60.96 [2.400]	63.50 [2.500]	25	7-535584-5
	58.42 [2.300]	60.96 [2.400]	24	7-535584-4
	55.88 [2.200]	58.42 [2.300]	23	7-535584-3
	53.34 [2.100]	55.88 [2.200]	22	7-535584-2
	50.80 [2.000]	53.34 [2.100]	21	7-535584-1
	99.06 [3.900]	101.60 [4.000]	40	7-535584-0
	73.66 [2.900]	76.20 [3.000]	30	6-535584-9
	48.26 [1.900]	50.80 [2.000]	20	6-535584-8
	45.72 [1.800]	48.26 [1.900]	19	6-535584-7
	40.64 [1.600]	43.18 [1.700]	17	6-535584-6
	38.10 [1.500]	40.64 [1.600]	16	6-535584-5
	35.56 [1.400]	38.10 [1.500]	15	6-535584-4
	33.02 [1.300]	35.56 [1.400]	14	6-535584-3
	30.48 [1.200]	33.02 [1.300]	13	6-535584-2
	27.94 [1.100]	30.48 [1.200]	12	6-535584-1
	25.40 [1.000]	27.94 [1.100]	11	6-535584-0
	22.86 [.900]	25.40 [1.000]	10	5-535584-9
	20.32 [.800]	22.86 [.900]	9	5-535584-8
	17.78 [.700]	20.32 [.800]	8	5-535584-7
	15.24 [.600]	17.78 [.700]	7	5-535584-6
	10.16 [.400]	12.70 [.500]	5	5-535584-5
	7.62 [.300]	10.16 [.400]	4	5-535584-4
	5.08 [.200]	7.62 [.300]	3	5-535584-3
	43.18 [1.700]	45.72 [1.800]	18	5-535584-2
	12.70 [.500]	15.24 [.600]	6	5-535584-1

FINISH	B	A	NO OF POSN	PART NUMBER
	38.10 [1.500]	40.64 [1.600]	16	4-535584-0
	2.54 [.100]	5.08 [.200]	2	3-535584-9
	96.52 [3.800]	99.06 [3.900]	39	3-535584-8
	93.98 [3.700]	96.52 [3.800]	38	3-535584-7
	91.44 [3.600]	93.98 [3.700]	37	3-535584-6
	88.90 [3.500]	91.44 [3.600]	36	3-535584-5
	86.36 [3.400]	88.90 [3.500]	35	3-535584-4
	83.82 [3.300]	86.36 [3.400]	34	3-535584-3
	81.28 [3.200]	83.82 [3.300]	33	3-535584-2
	78.74 [3.100]	81.28 [3.200]	32	3-535584-1
	76.20 [3.000]	78.74 [3.100]	31	3-535584-0
	71.12 [2.800]	73.66 [2.900]	29	2-535584-9
	68.58 [2.700]	71.12 [2.800]	28	2-535584-8
	66.04 [2.600]	68.58 [2.700]	27	2-535584-7
	63.50 [2.500]	66.04 [2.600]	26	2-535584-6
	60.96 [2.400]	63.50 [2.500]	25	2-535584-5
	58.42 [2.300]	60.96 [2.400]	24	2-535584-4
	55.88 [2.200]	58.42 [2.300]	23	2-535584-3
	53.34 [2.100]	55.88 [2.200]	22	2-535584-2
	50.80 [2.000]	53.34 [2.100]	21	2-535584-1
	99.06 [3.900]	101.60 [4.000]	40	2-535584-0
	73.66 [2.900]	76.20 [3.000]	30	1-535584-9
	48.26 [1.900]	50.80 [2.000]	20	1-535584-8
	45.72 [1.800]	48.26 [1.900]	19	1-535584-7
	40.64 [1.600]	43.18 [1.700]	17	1-535584-6
	38.10 [1.500]	40.64 [1.600]	16	1-535584-5
	35.56 [1.400]	38.10 [1.500]	15	1-535584-4
	33.02 [1.300]	35.56 [1.400]	14	1-535584-3
	30.48 [1.200]	33.02 [1.300]	13	1-535584-2
	27.94 [1.100]	30.48 [1.200]	12	1-535584-1
	25.40 [1.000]	27.94 [1.100]	11	1-535584-0
	22.86 [.900]	25.40 [1.000]	10	535584-9
	20.32 [.800]	22.86 [.900]	9	535584-8
	17.78 [.700]	20.32 [.800]	8	535584-7
	15.24 [.600]	17.78 [.700]	7	535584-6
	10.16 [.400]	12.70 [.500]	5	535584-5
	7.62 [.300]	10.16 [.400]	4	535584-4
	5.08 [.200]	7.62 [.300]	3	535584-3
	43.18 [1.700]	45.72 [1.800]	18	535584-2
	12.70 [.500]	15.24 [.600]	6	535584-1

SUPERSEDED BY 5-535584-8


11 SUPERCEDED BY 6-535584-5

12
12
12

12
12
12

9 11

2

THIS DRAWING IS A CONTROLLED DOCUMENT.		DWN M.BINNER 05NOV02	 TE Connectivity Ltd.	
DIMENSIONS: mm [INCHES]		CHK J.OLSON 05NOV02		
TOLERANCES UNLESS OTHERWISE SPECIFIED:		APVD J.OLSON 05NOV02	NAME RECPT. ASSY., MOD IV, SINGLE ROW, .100 CL., VERTICAL BOARD MOUNT, CLOSED, TOP ENTRY, SHORT PNT. OF CONTACT	
0 PLC ± - 1 PLC ± - 2 PLC ± 0.25[.010] 3 PLC ± 0.13[.005] 4 PLC ± - ANGLES ± -		PRODUCT SPEC 108-25022	SIZE A2	CAGE CODE 00779
MATERIAL FINISH		APPLICATION SPEC 114-25018	DRAWING NO C=535584	RESTRICTED TO -
		WEIGHT -	SCALE 4:1	SHEET 2 of 2
		CUSTOMER DRAWING		REV S