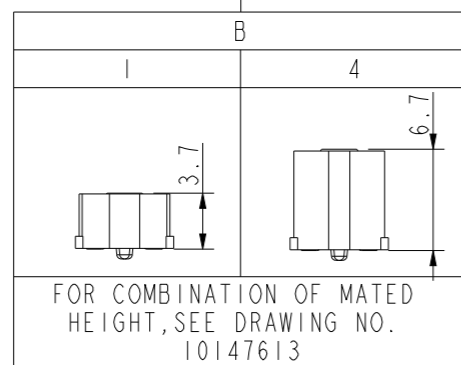


PRODUCT NO.
SEE TABLE

10147614-AA B C D E LF

AA	POSITION
04	2X20
06	2X30
08	2X40
10	2X50
12	2X60
14	2X70
16	2X80
18	2X90

NOTE 5



D	POLARIZATION PEG
0	YES
1	NO

E	PACKAGING
0	TUBE WITHOUT CAP
6	T&R WITH KAPTON CAP

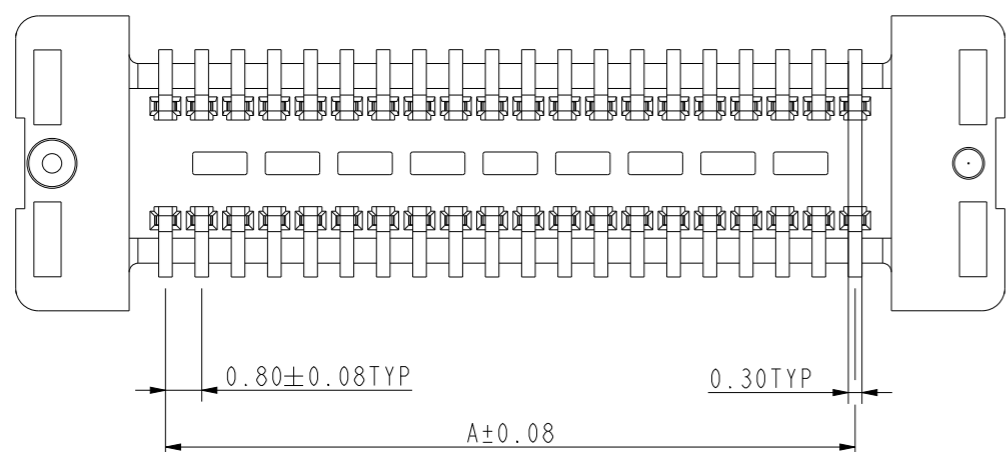
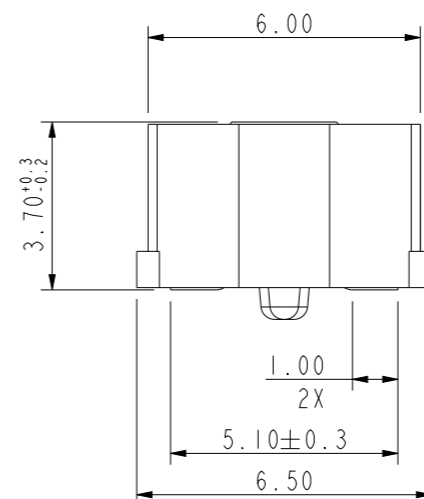
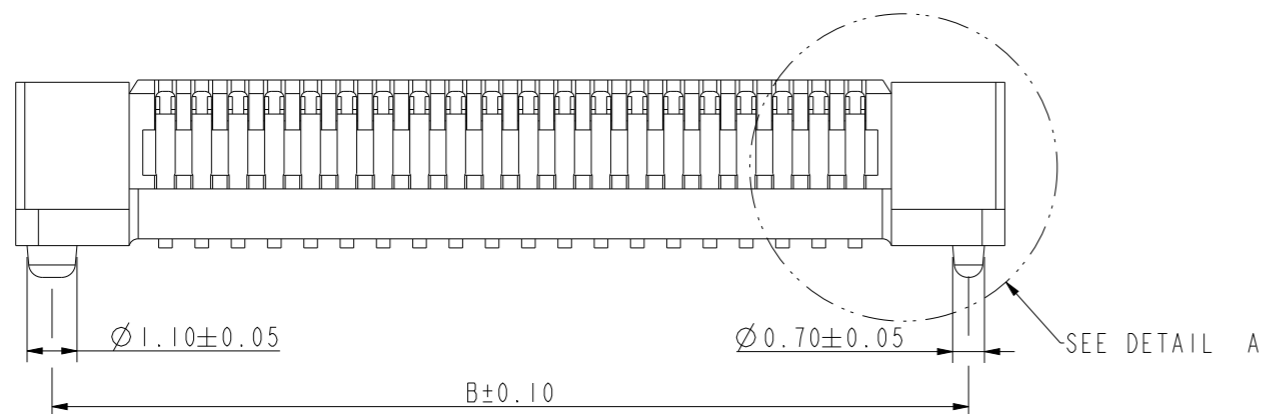
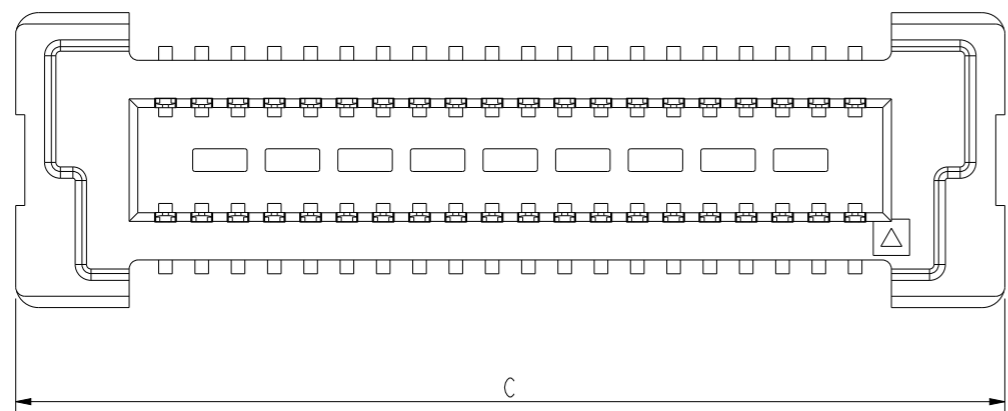
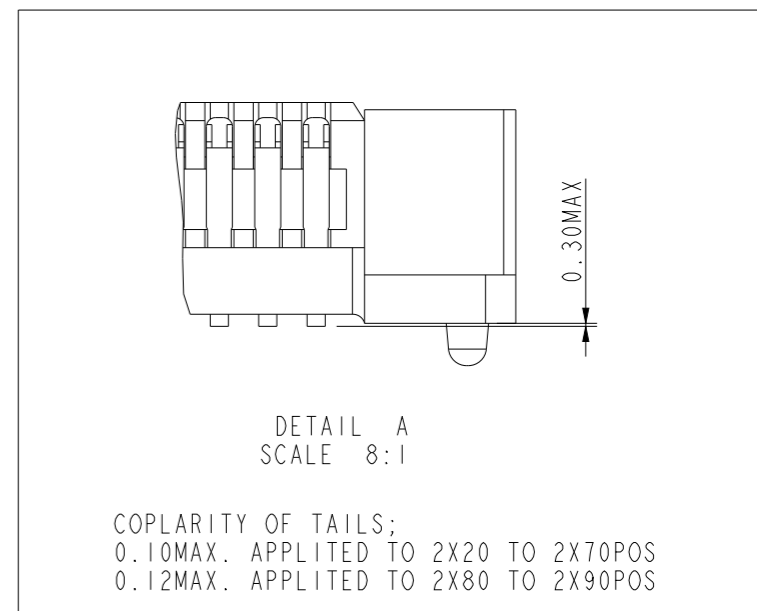
C	PLATING ON CONTACT AREA / ON SOLDER TAIL AREA
4	GOLD 0.2umMIN. ON CONTACT AREA PURE TIN 2.5um MIN(LEAD FREE) ON SOLDER TAIL NICKEL UNDERPLATE OVERALL 1.27um MIN
5	GOLD 0.38umMIN. ON CONTACT AREA PURE TIN 2.5um MIN(LEAD FREE) ON SOLDER TAIL NICKEL UNDERPLATE OVERALL 1.27um MIN
6	GOLD OR GXT 0.76umMIN ON CONTACT AREA PURE TIN 2.5um MIN(LEAD FREE) ON SOLDER TAIL NICKEL UNDERPLATE OVERALL 1.27um MIN

NOTE:

- MATERIAL:
HOUSING: HIGH TEMPERATURE RESIN,NATURAL, UL94-V0
TERMINAL: COPPER ALLOY
- PLATING:
AS SHOWN IN TABLE.
- SEE GS-12-1499 FOR PRODUCT SPEC.
- THE HOUSING WILL WITHSTAND EXPOSURE UP TO 260°C PEAK TEMPERATURE FOR 30 SECONDS IN A CONVECTION, INFRA-RED OR VAPOR PHASE REFLOW OVEN.
- ONLY PLUG1 120POS PRODUCT IS AVAILABLE.

spec ref	-	dr	Bob Gu	2019/12/31	projection	mm	size	A3	scale	3:1	
tolerance std	ISO 406 ISO 1101	eng	Bob Gu	2021/11/18		← →	ecn no	ELX-N-38763-1			
TOLERANCES UNLESS OTHERWISE SPECIFIED		chr	-	-			rel level	Released			
surface	linear	appr	Tim Yao	2021/11/19	product family	-	dwg no	10147614		rev	C
ISO 1302	angular	Amphenol FCI		PLUG ASSEMBLY		cat. no.		Product - Customer Drw		sheet 1 of 4	

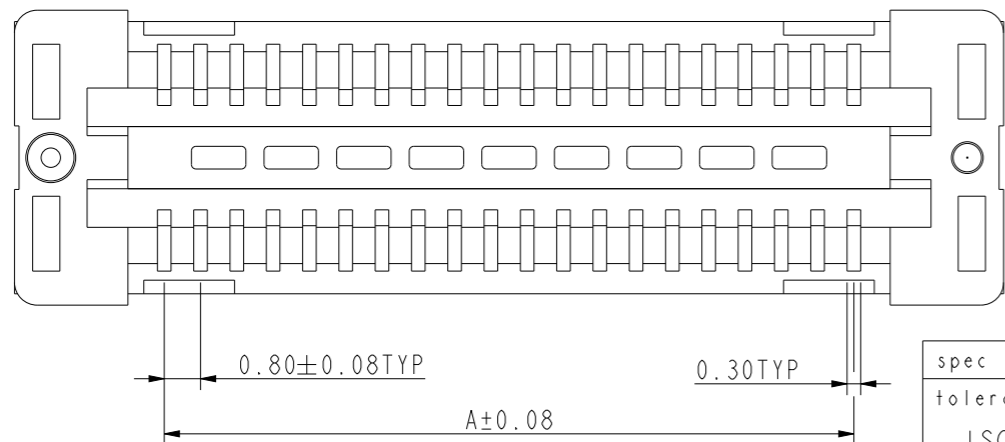
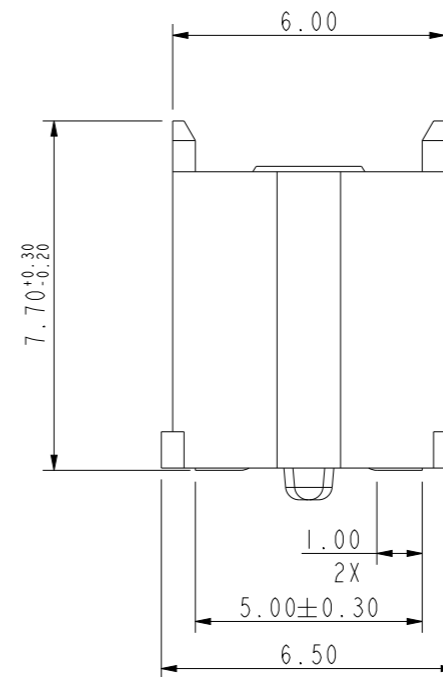
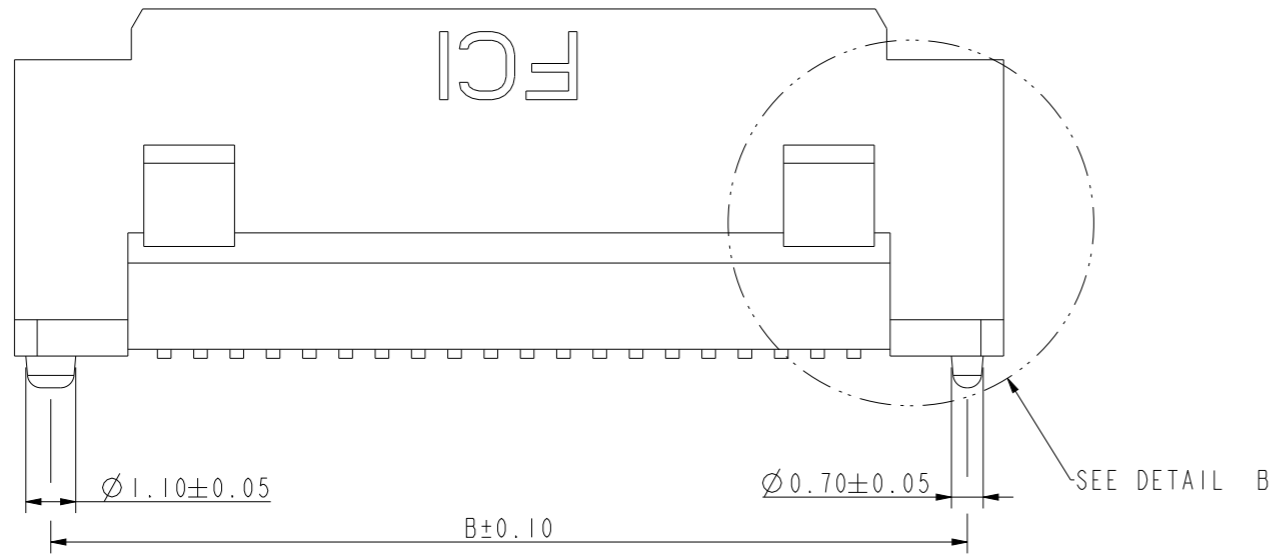
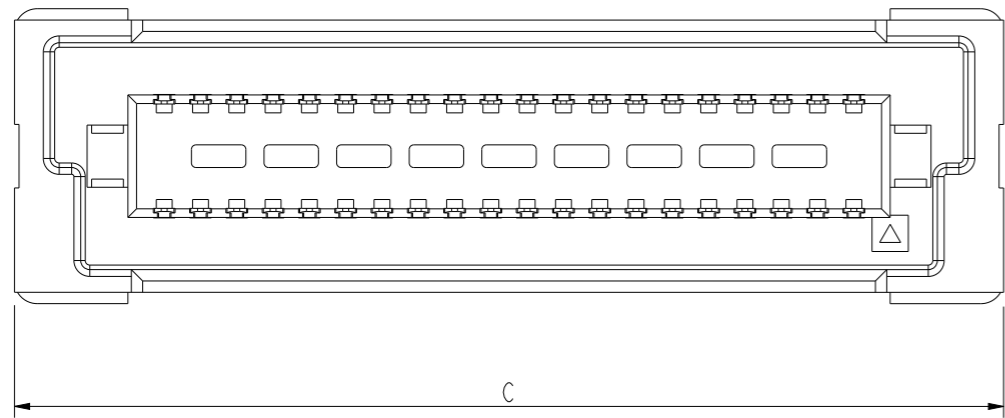
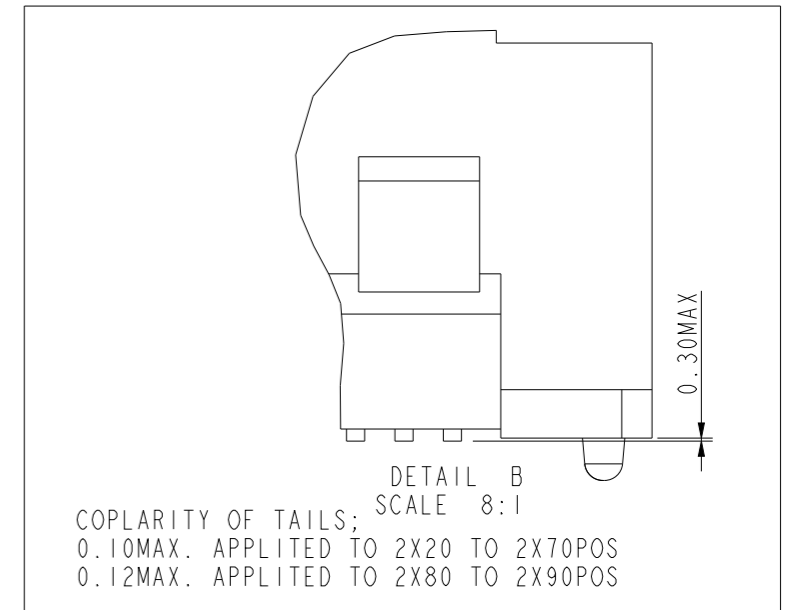
PRODUCT NO.	NO. OF POSITION	DIMENSION		
		A	B	C
10147614-041*0**LF	2X20	15.20	20.20	21.80
10147614-061*0**LF	2X30	23.20	28.20	29.80
10147614-081*0**LF	2X40	31.20	36.20	37.80
10147614-101*0**LF	2X50	39.20	44.20	45.80
10147614-121*0**LF	2X60	47.20	52.20	53.80
10147614-141*0**LF	2X70	55.20	60.20	61.80
10147614-161*0**LF	2x80	63.20	68.20	69.80
10147614-181*0**LF	2x90	71.20	76.20	77.80



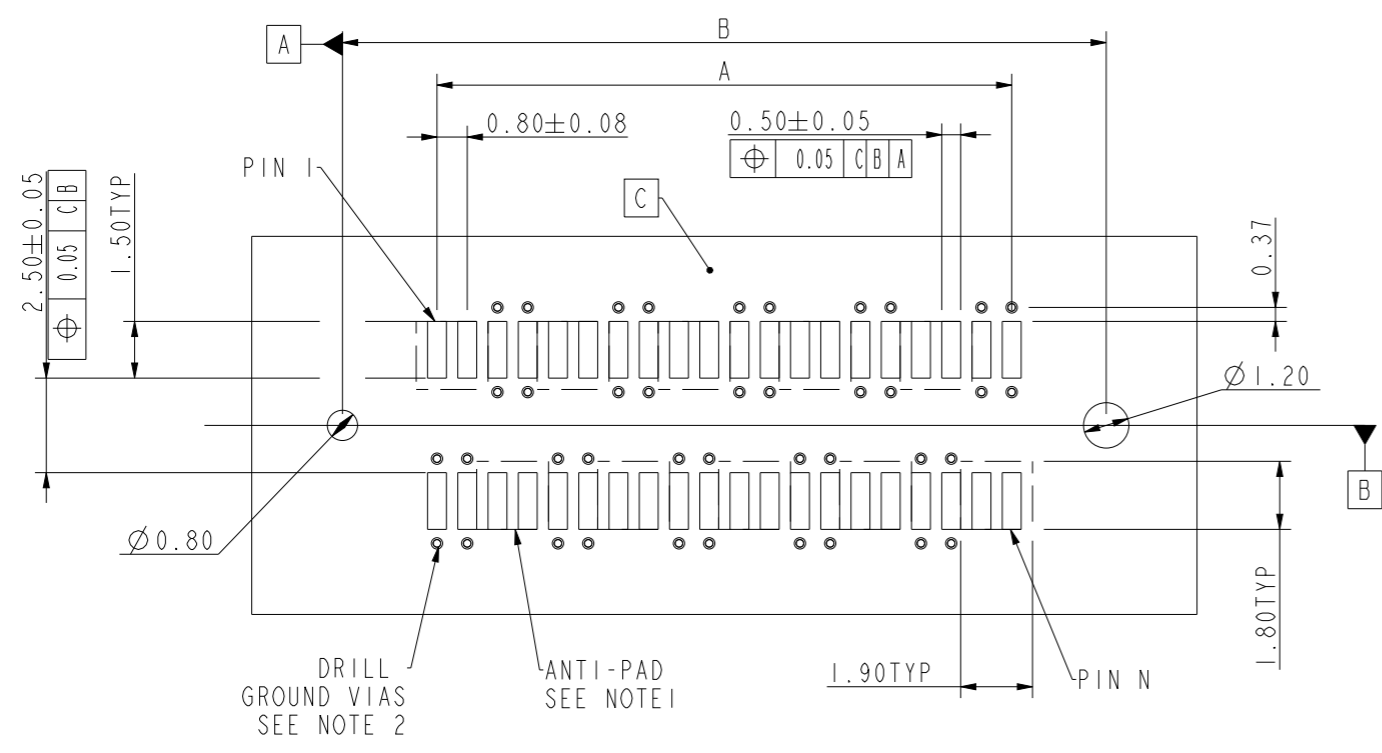
BERGSTAK HS PLUGI

spec ref	-	dr	Bob Gu	2019/12/31	projection	mm	size	A3	scale	3:1
tolerance std	ISO 406 ISO 1101	eng	Bob Gu	2021/11/18			ecn no	ELX-N-38763-1	rel level	Released
TOLERANCES UNLESS OTHERWISE SPECIFIED		chr	-	-			product family			
surface	linear	appr	Tim Yao	2021/11/19			dwg no	10147614	rev	C
ISO 1302	angular			cat. no.	Product - Customer Drw		sheet 2 of 4			

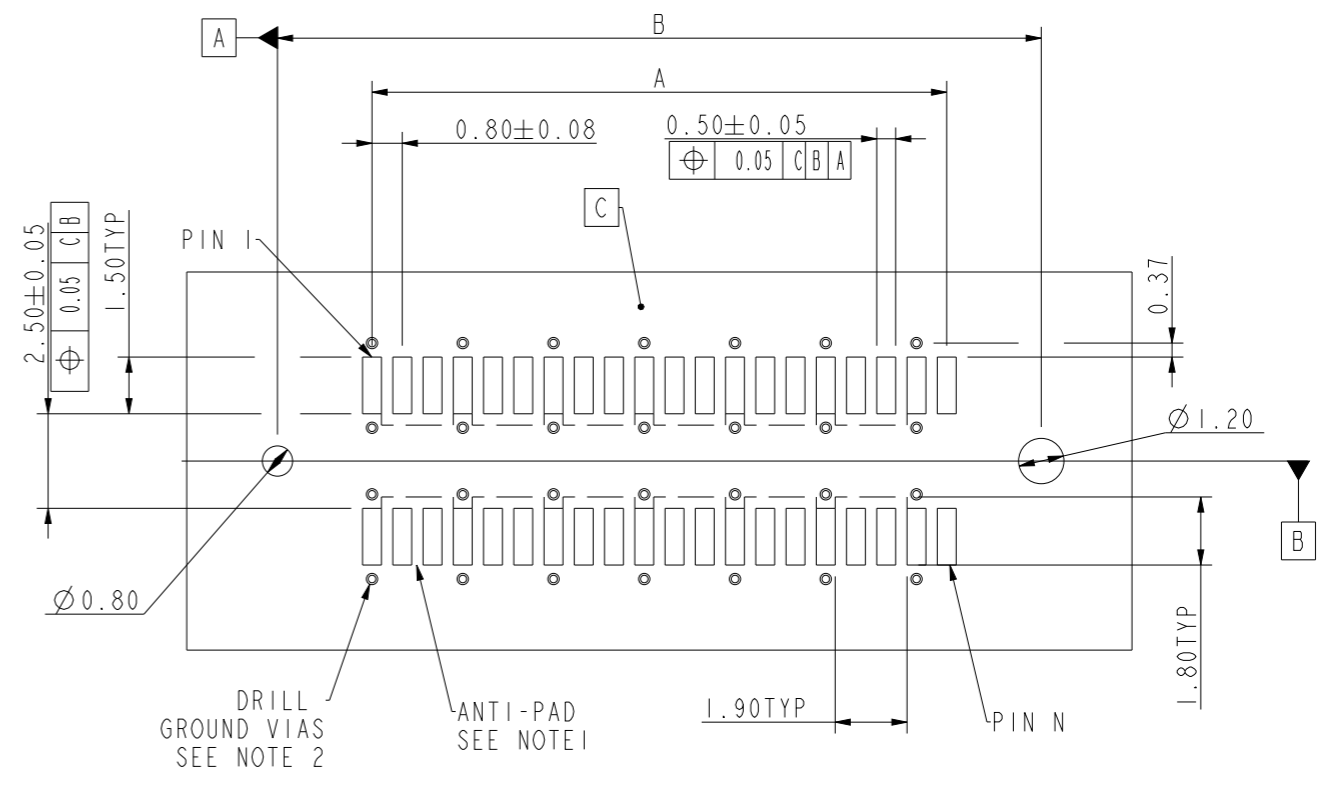
PRODUCT NO.	NO. OF POSITION	DEMENSION		
		A	B	C
10147614-044*0**LF	2X20	15.20	20.20	21.80
10147614-064*0**LF	2X30	23.20	28.20	29.80
10147614-084*0**LF	2X40	31.20	36.20	37.80
10147614-104*0**LF	2X50	39.20	44.20	45.80
10147614-124*0**LF	2X60	47.20	52.20	53.80
10147614-144*0**LF	2X70	55.20	60.20	61.80



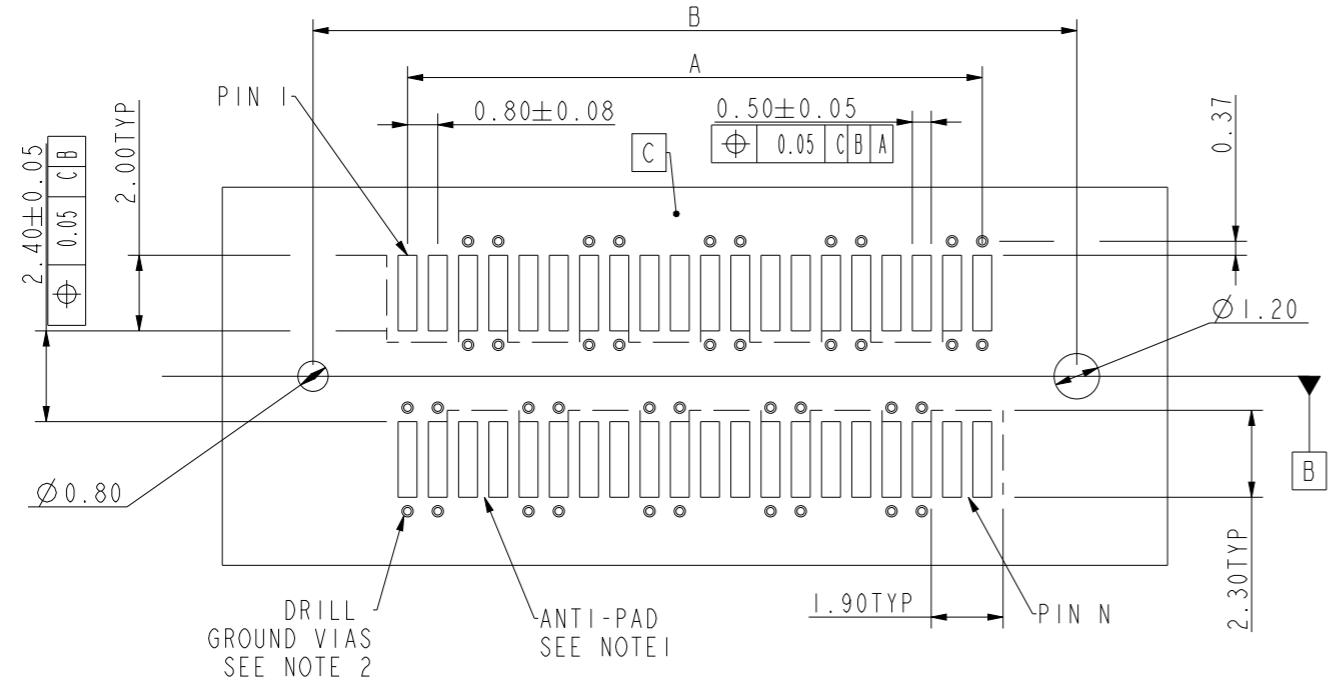
spec ref -		dr	Bob Gu	2019/12/31	projection	mm	size	A3	scale	3:1
tolerance std		eng	Bob Gu	2021/11/18			ecn no		ELX-N-38763-1	
ISO 406 ISO 1101		chr	-	-			rel level		Released	
surface		appr	Tim Yao	2021/11/19	product family		dwg no		10147614	
ISO 1302		Amphenol FCI			title PLUG ASSEMBLY BERGSTAK HS 0.8MM		rev C		cat. no.	
linear 0.X ±0.3 0.XX ±0.15 0.XXX ±0.08 angular 0° ±2°		TOLERANCES UNLESS OTHERWISE SPECIFIED		Product - Customer Drw		sheet 3 of 4				



DOUBLE GROUND PATTERN
RECOMMENDED HS PCB LAYOUT



SIGLE GROUND PATTERN
RECOMMENDED HS PCB LAYOUT



DOUBLE GROUND PATTERN
RECOMMENDED STD PCB LAYOUT

PRODUCT NO.	NO. OF POSITION	DEMENSION	
		A	B
10147614-04**0**LF	2X20	15.20	20.20
10147614-06**0**LF	2X30	23.20	28.20
10147614-08**0**LF	2X40	31.20	36.20
10147614-10**0**LF	2X50	39.20	44.20
10147614-12**0**LF	2X60	47.20	52.20
10147614-14**0**LF	2X70	55.20	60.20
10147614-16**0**LF	2X80	63.20	68.20
10147614-18**0**LF	2X90	71.20	76.20

- NOTE:
- FOR HS PCB, THE RECOMMENDED VOID SIZE IS 1.9MMx1.8MM;
FOR STD PCB, THE RECOMMENDED VOID SIZE IS 1.9MMx2.3MM;
 - THE GROUND VIAS ARE REQUIRED TO ADD TO BOTH SIDES OF GROUND PAD, THE DISTANCE FROM VIA CENTER TO THE PAD EDGE IS RECOMMENDED TO BE 0.37MM.

dr	Bob Gu	2019/12/31	projection 	size A3	scale 5:1
eng	Bob Gu	2021/11/18			
chr	-	-	product family	ecn no ELX-N-38763-1	rel level Released
appr	Tim Yao	2021/11/19			
Amphenol FCI			PLUG ASSEMBLY		dwg no 10147614
			BERGSTAK HS 0.8MM		rev C
cat. no.			Product - Customer Drw		sheet 4 of 4