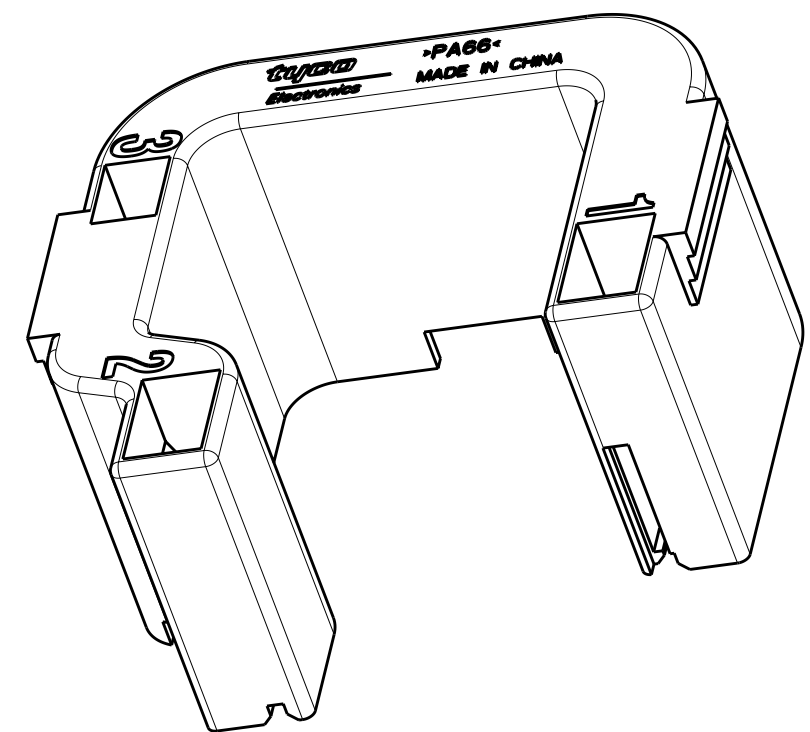
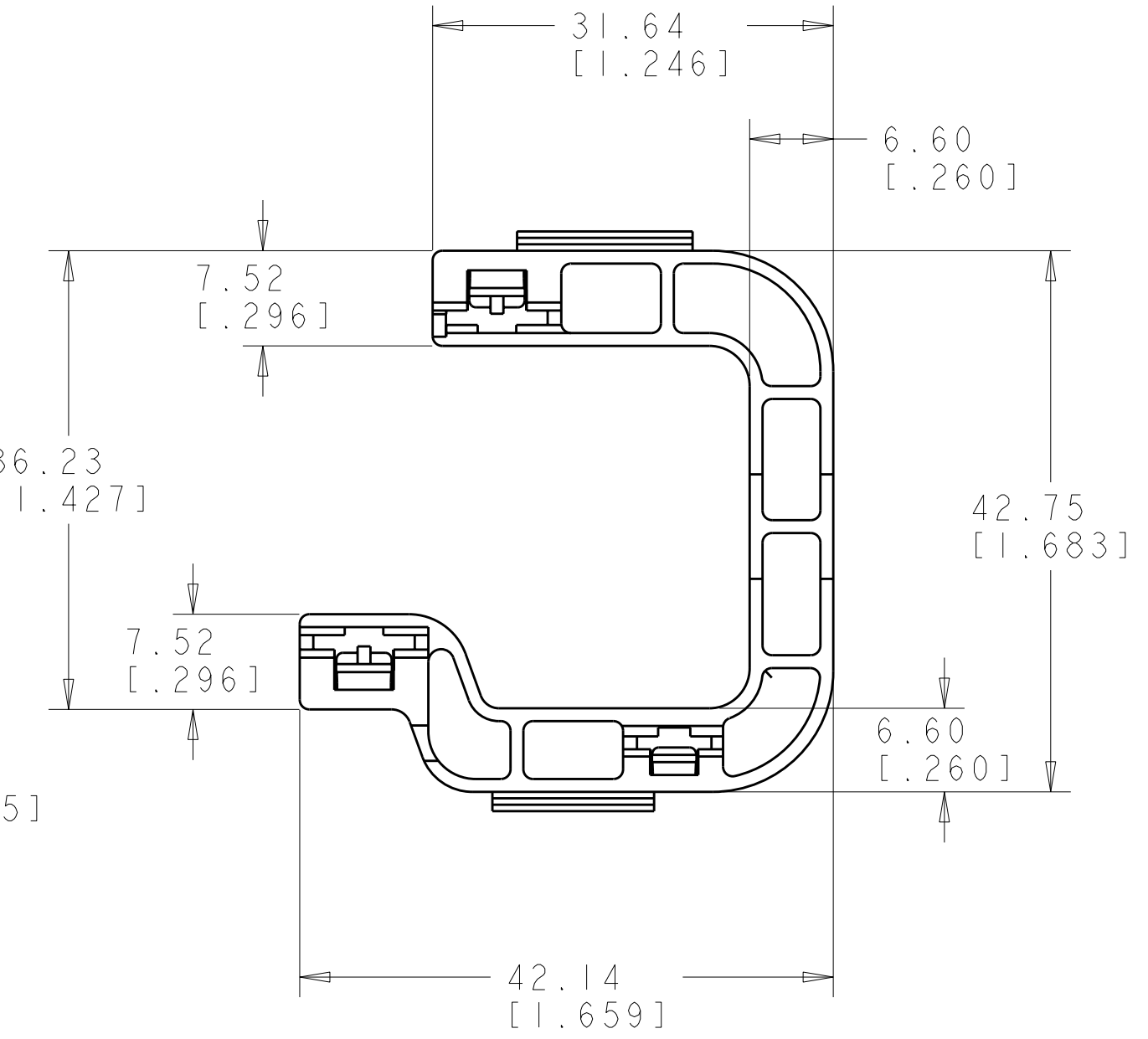
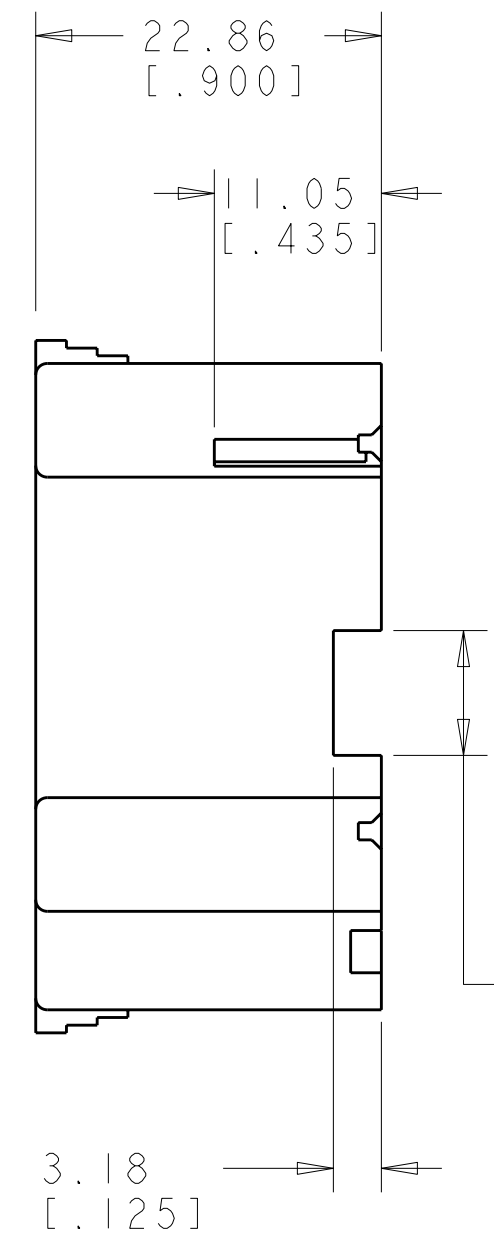
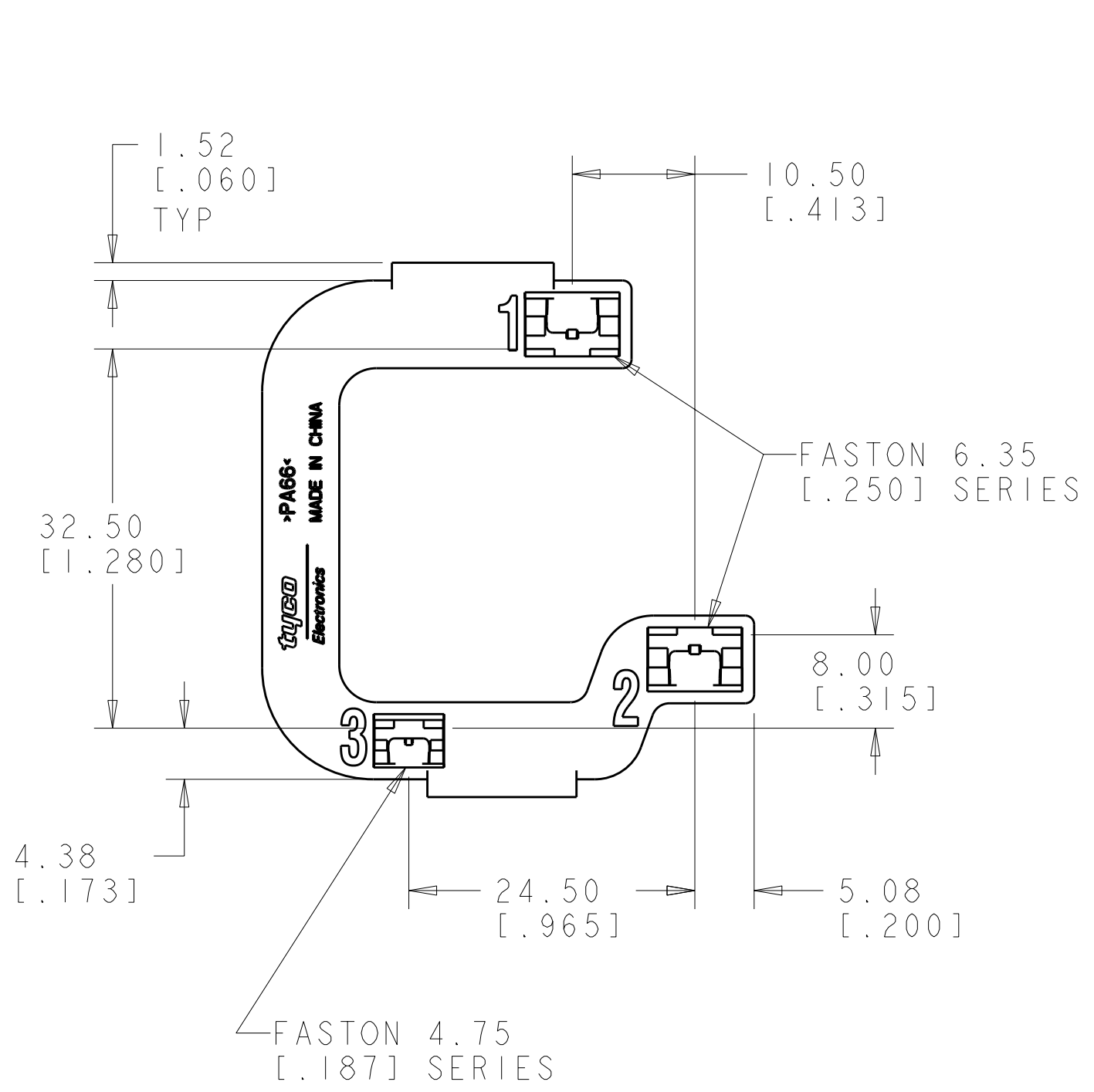


THIS DRAWING IS UNPUBLISHED. RELEASED FOR PUBLICATION 20
 © COPYRIGHT 20 BY TYCO ELECTRONICS CORPORATION. ALL RIGHTS RESERVED.

LOC		DIST		REVISIONS			
P	LTR	DESCRIPTION	DATE	DWN	APVD		
AF	50	A1	REVISED PER ECR-10-003745	26FE2010	HMR	PD	

- RECOMMENDED MATING TAB LENGTH IS 9.78 [.385] MIN.
- RECOMMENDED CENTERLINE SPACING OF TABS TO BE ± 0.127 [.005].
- MATERIAL: NYLON 66, UL94 V-2, ELECTRICAL RTI 125 °C MIN.



NATURAL	1738473-1
COLOR	PART NUMBER

THIS DRAWING IS A CONTROLLED DOCUMENT FOR TYCO ELECTRONICS CORPORATION. IT IS SUBJECT TO CHANGE AND THE CONTROLLING ENGINEERING ORGANIZATION SHOULD BE CONTACTED FOR THE LATEST REVISION.		DWN	J.C. YOSLER	24OCT2003	Tyco Electronics Harrisburg, PA 17105-3608	
DIMENSIONS:		CHK	M. LAUERMANN	17NOV2003		
mm [INCHES]		APVD	M. LAUERMANN	02DEC2004		
TOLERANCES UNLESS OTHERWISE SPECIFIED:		PRODUCT SPEC				
0 PLC	±	APPLICATION SPEC			NAME	HOUSING, RECEPTACLE FASTON INFINITE SWITCH C
1 PLC	±				SIZE	A2
2 PLC	±.38 [.015]				CAGE CODE	00779
3 PLC	±				DRAWING NO	1738473
4 PLC	±				RESTRICTED TO	-
ANGLES	±2°	WEIGHT			SCALE	2:1
FINISH		CUSTOMER DRAWING			SHEET	1
					OF	1
					REV	A1