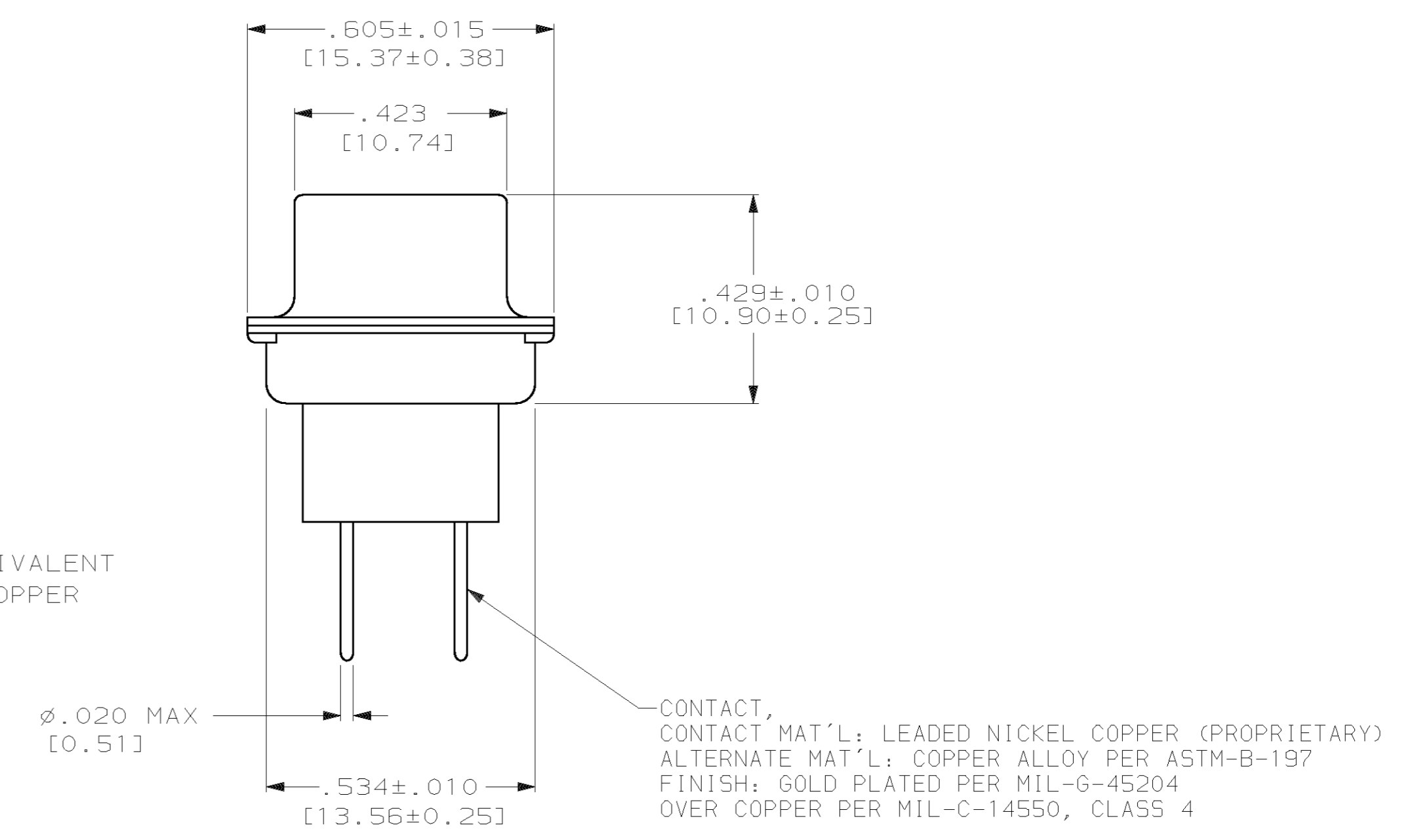
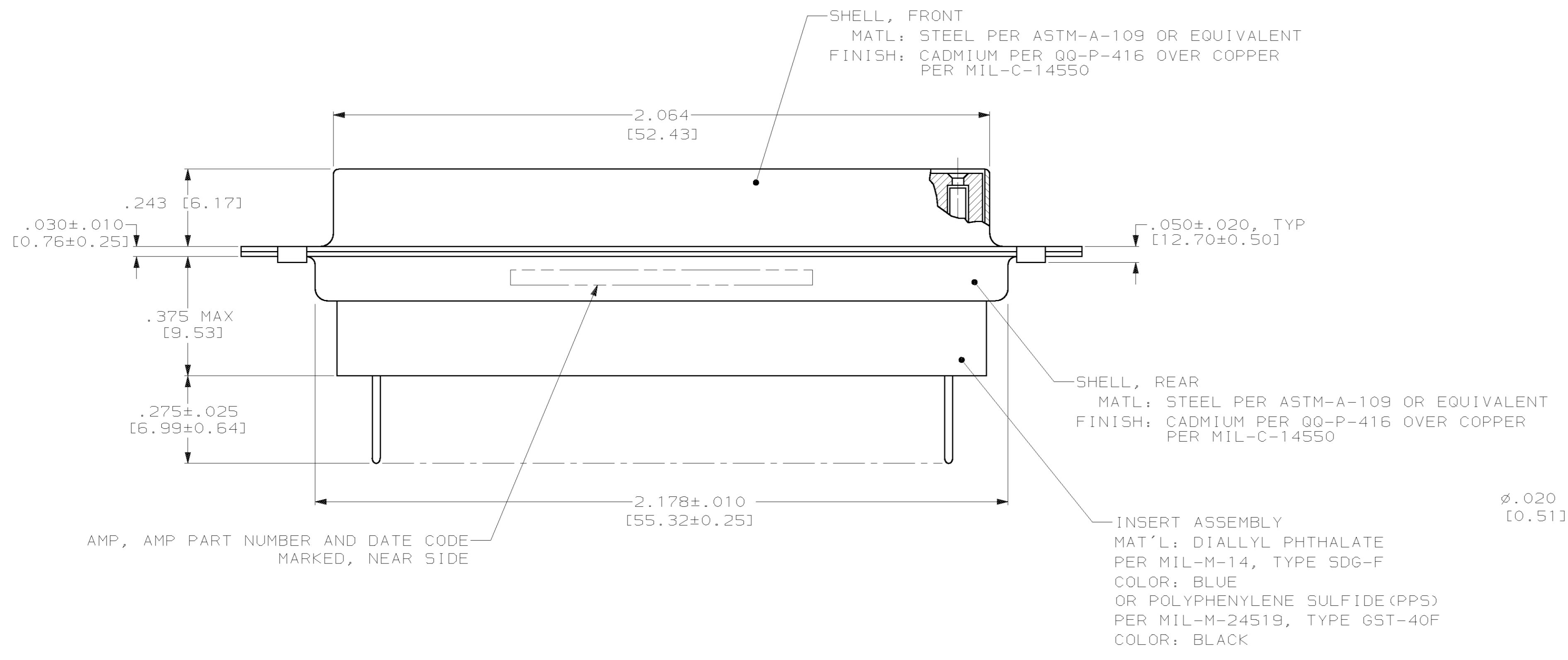
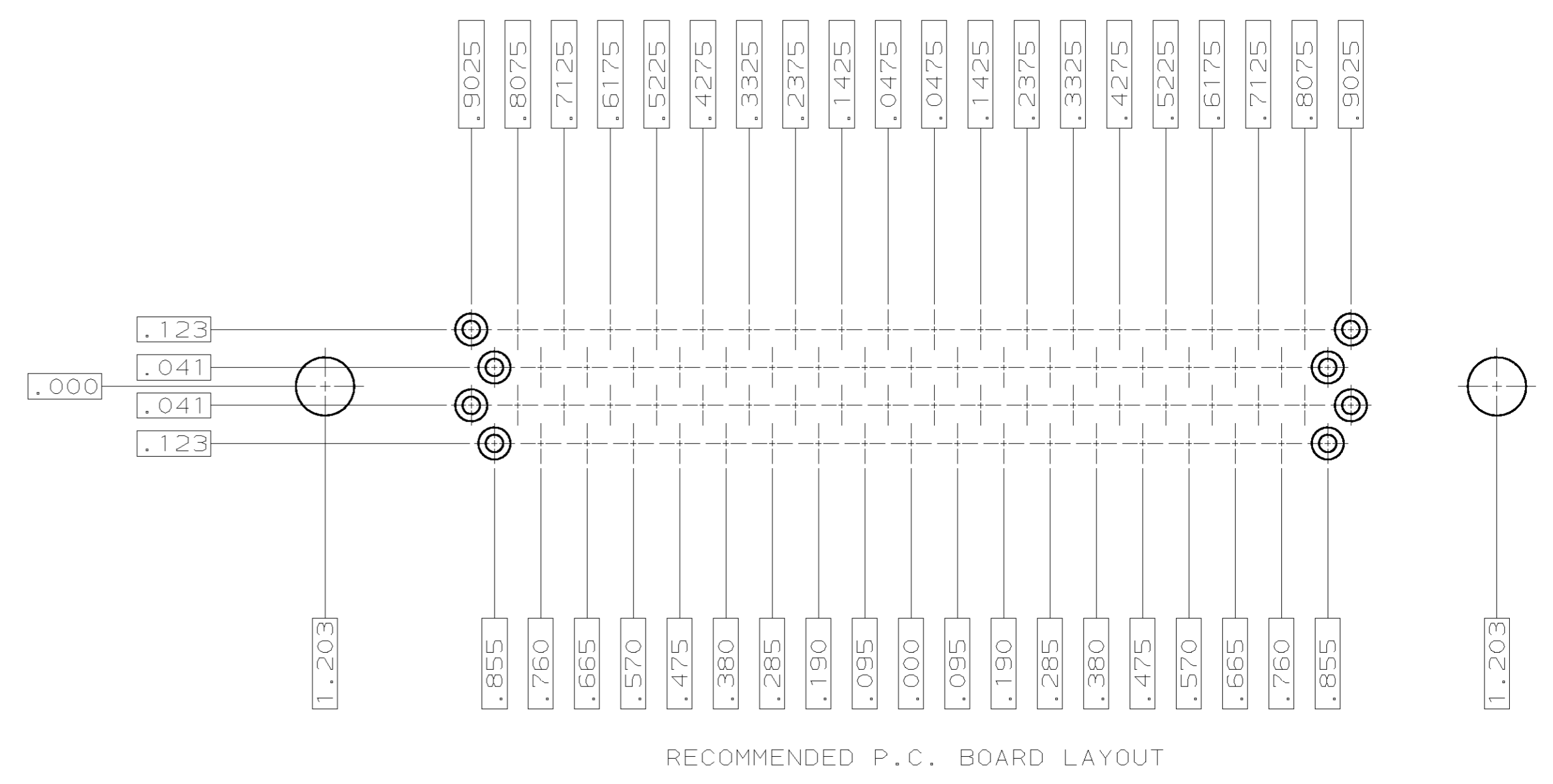
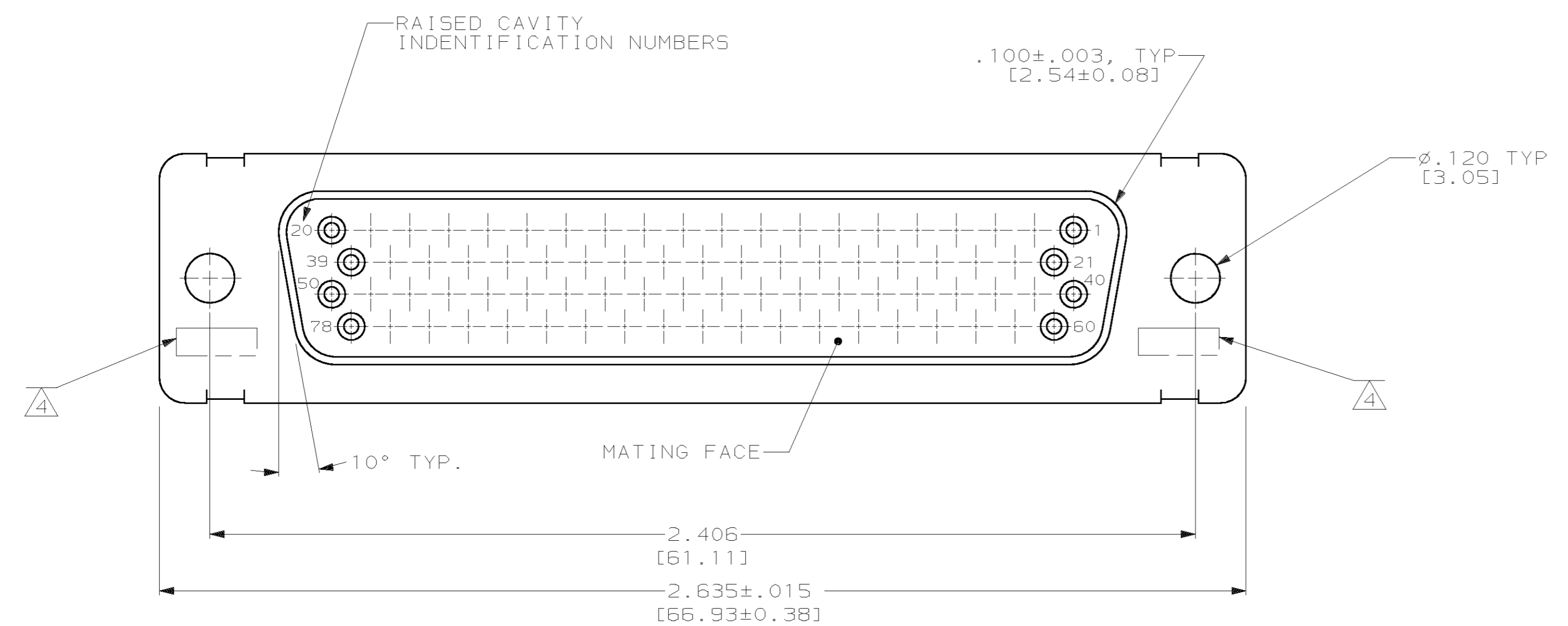


LOC		DIST		REVISIONS			
DF	DO	REV	PER	DESCRIPTION	DATE	DWN	APVD
B				REV PER 063D-640-00	B-01	CT	CB



- .032 [0.81] DIA HOLE IS RECOMMENDED FOR P.C. BOARD
- CONNECTOR MATES WITH ANY AMP 78 POSN PLUG
- REPLACEMENT SOCKET AMP# 207684-1
- UL/CSA DESIGNATION MAY BE STAMPED IN THIS AREA.

443888-5
PART NUMBER

THIS DRAWING IS A CONTROLLED DOCUMENT.		DWN: T. ALEXANDER 11-12-96	AMP Incorporated Harrisburg, PA 17105-3608
DIMENSIONS: INCHES (mm)		CHK: H. WYNKOOP 11-14-96	
TOLERANCES UNLESS OTHERWISE SPECIFIED:		APVD: H. WYNKOOP 11-14-96	NAME: WYNKOOP
0 PLC ±.005		PRODUCT SPEC: -	
1 PLC ±.005		APPLICATION SPEC: -	SIZE: A1
2 PLC ±.005		RESTRICTED TO: -	
3 PLC ±.005 [0.13]		WEIGHT: -	CUSTOMER DRAWING
4 PLC ±.005		SCALE: 4:1	
MATERIAL: SEE CALLOUTS		FINISH: SEE CALLOUTS	SHEET 1 OF 1
REV: -		DATE: -	REV: B