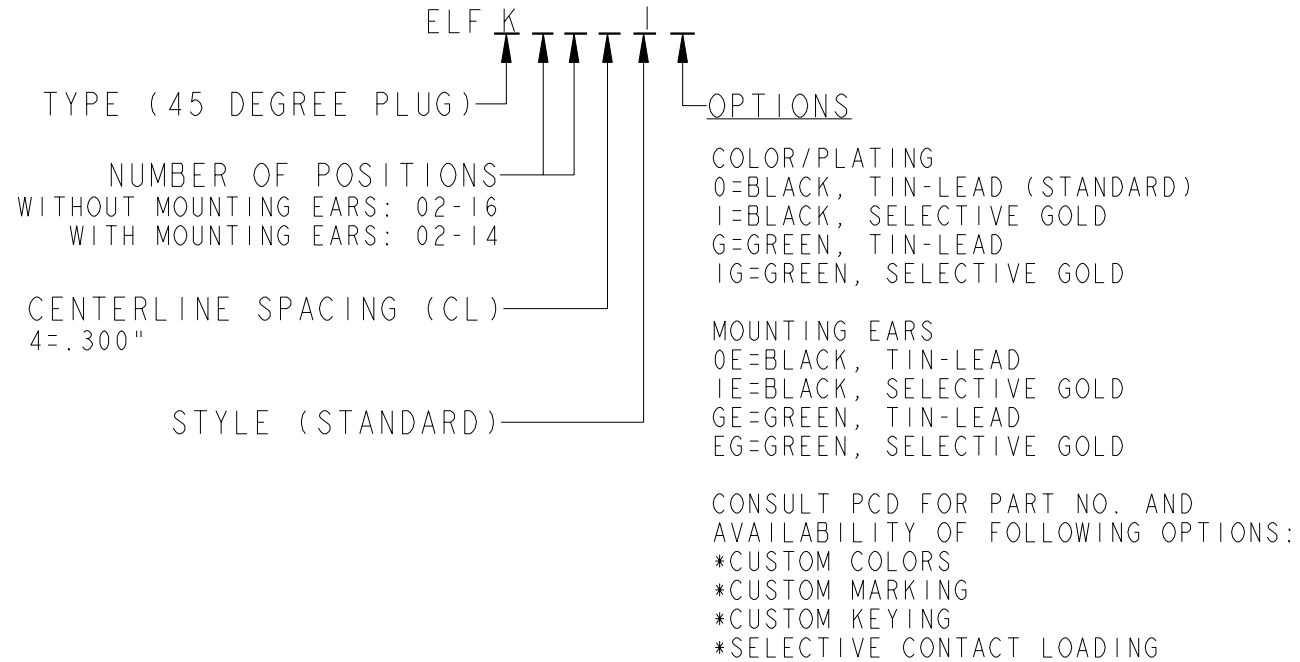


REV	ECN	APP'D
-	5137	

ELFK SERIES PART NUMBERING SCHEME



RU RATINGS

CURRENT - 15A
VOLTAGE - 300V
U.L. FILE NO. PENDING

SP RATINGS

CURRENT - 15 A
VOLTAGE - 450 V
CSA FILE NO. PENDING

DIN VDE 0627:1986
DIN VDE 0110-1:1989
EN 60947-1:1991
EN 60947-7-1:1992

CURRENT - 15 A
VOLTAGE - 450 V
TUV FILE NO. PENDING

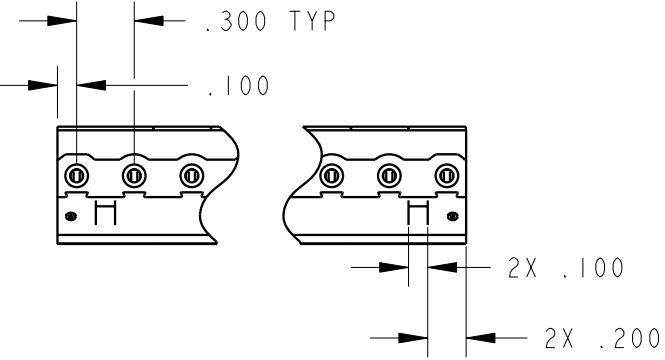
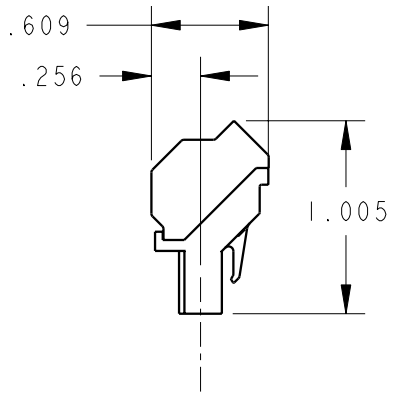
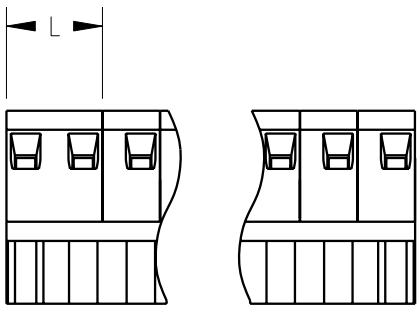
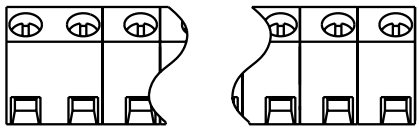
INSTALLATION RECOMMENDATIONS:
WIRE RANGE: AWG #12-26, STRANDED OR SOLID
WIRE STRIP LENGTH: .310"
TIGHTENING TORQUE: 7 LB-IN.

MATERIALS:
HOUSING: PPO, UL 94 V-0
CONTACT: COPPER ALLOY, OPTIONAL FINISH
SCREW: STEEL, NICKEL FINISH
WIRE CLAMP: COPPER ALLOY, NICKEL FINISH

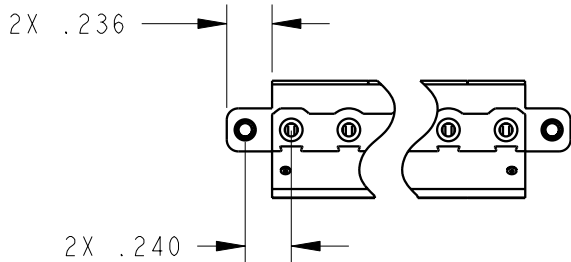
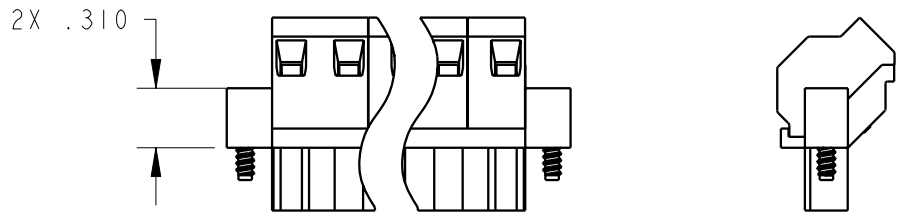
MAX OPERATING TEMPERATURE:
105°C

DIMENSIONS ANSI Y14.5M UNITS: INCHES Pro/E FILE	TOLERANCES .XX ±0.01 .XXX ±0.005 ANGLES ±2.0°	PROJECTION 	SPECIFICATION DRAWING			TITLE ELFK SERIES 45 DEGREE PLUG .300 PITCH	
			ENGR I. QUINN 12/27/02				
ORIGINAL STAMPED IN RED	THIS DOCUMENT CONTAINS PROPRIETARY INFORMATION WHICH IS THE CONFIDENTIAL PROPERTY OF PCD, INC. PEABODY, MA, USA	CHKD		SIZE A	DWG NO. ELFK02410		REV -
		APPD		CODE: 58982	SCALE: NONE	SHEET 1 OF 2	

$$L = (\text{NUM OF POS} \times .300) - .1$$



MOUNTING EAR
CONFIGURATION



SIZE A	DWG NO. ELFK02410	REV -
CODE: 58982	SCALE: NONE	SHEET 2 OF 2