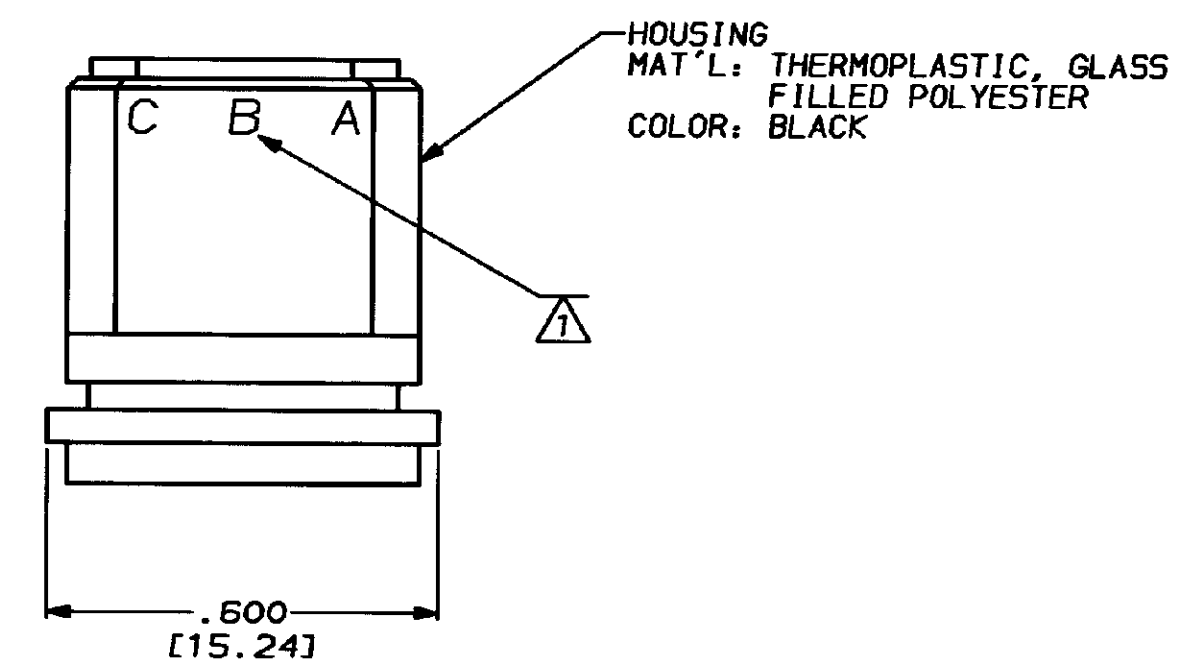
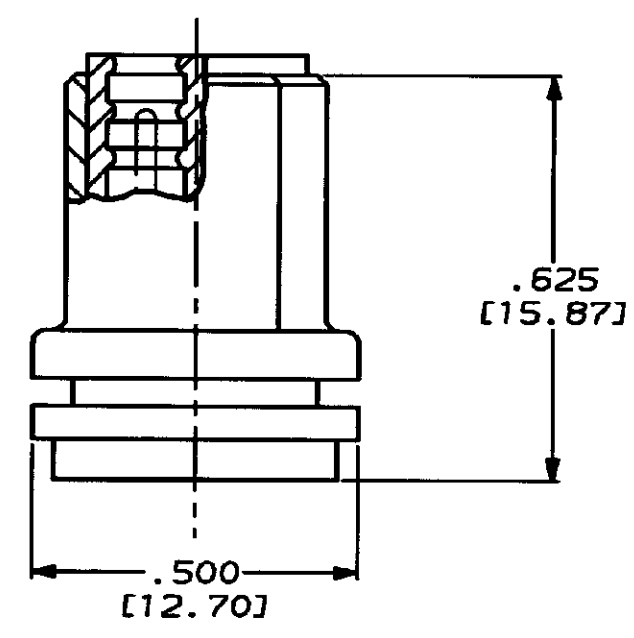
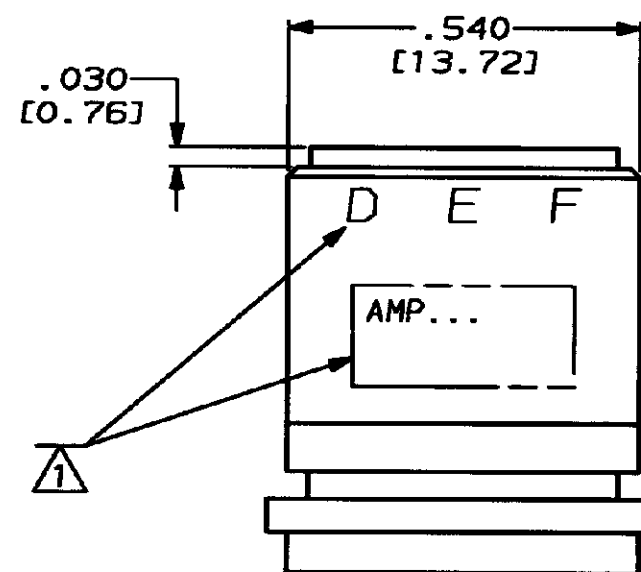
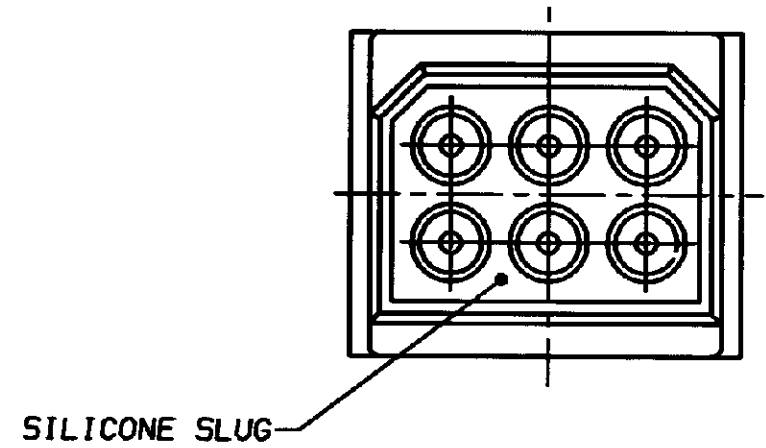
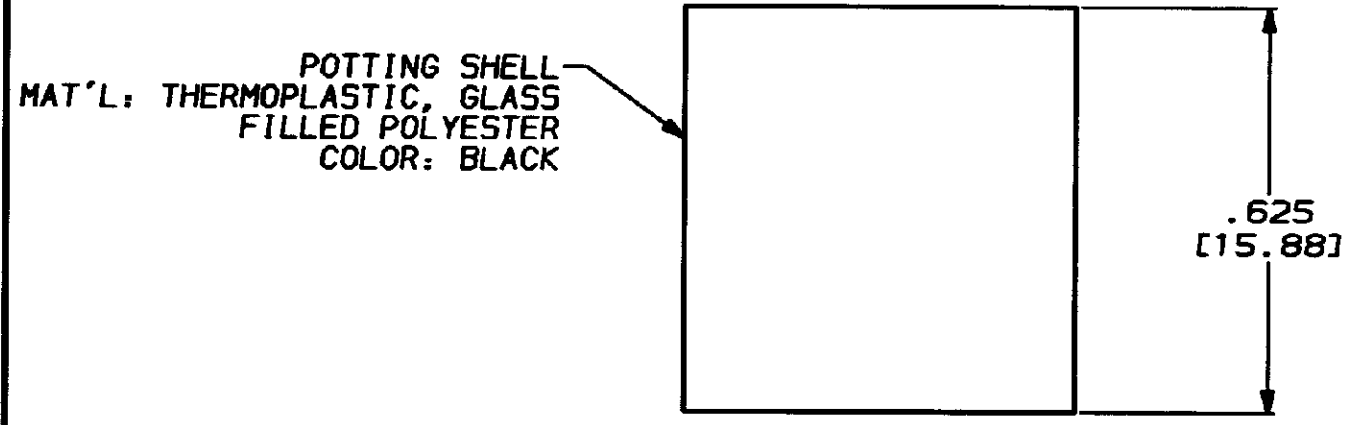


4 3 2 1  
 DRAWING MADE IN THIRD ANGLE PROJECTION  
 THIS DRAWING IS UNPUBLISHED. RELEASED FOR PUBLICATION .19  
 © COPYRIGHT 19 BY AMP INCORPORATED. ALL INTERNATIONAL RIGHTS RESERVED.

REVISIONS										
PROJ	LOC	DIST	P	F	ZONE	LTR	DESCRIPTION	DATE	APPD	
4081	DF	50				A	REV & REDRAWN; DF-6981	CT	10-93	DE



HOUSING  
 MAT'L: THERMOPLASTIC, GLASS  
 FILLED POLYESTER  
 COLOR: BLACK



POTTING SHELL  
 MAT'L: THERMOPLASTIC, GLASS  
 FILLED POLYESTER  
 COLOR: BLACK



PIN, 6 PLC  
 MAT'L: BRONZE PER ASTM-B-140  
 FINISH: GOLD PLATED PER MIL-G-45204 TYPE II  
 OVER NICKEL PER QQ-N-290

- 1. MARKED PER MIL-STD-130.
- 2. SEE AMP DWG. 863349-1 FOR ASSEMBLY INSTRUCTIONS.

867482-1  
 PART NO.

DO NOT SCALE PRINT. UNLESS SPECIFIED DIMENSIONS IN INCHES [mm] TOLERANCES ON: 2 PLC DEC ± - 3 PLC DEC ± .005 [0.13] ANGLES ± -	DR 6-30-93 C.C. THOMAS	AMP AMP Incorporated Harrisburg, PA 17105-3608
	CHK 10-13-93 D.EABY	
MATERIAL  SEE CALLOUTS	APPD 10-13-93 D.EABY	NAME  6 PIN SUBMINIATURE PLUG KIT, LGH
	RLSE 10-13-93 C.C. THOMAS	
FINISH  SEE CALLOUTS	PRODUCT SPEC -	SIZE C
	APPLICATION SPEC -	CAGE CODE 00779
	WEIGHT -	DRAWING NO C-867482
		SCALE 4:1
		SHEET 1 OF 1

THIS DRAWING IS A CONTROLLED DOCUMENT FOR AMP INCORPORATED. IT IS SUBJECT TO CHANGE AND THE CONTROLLING ENGINEERING ORGANIZATION SHOULD BE CONTACTED FOR THE LATEST REVISION.

CUSTOMER DRAWING