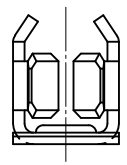
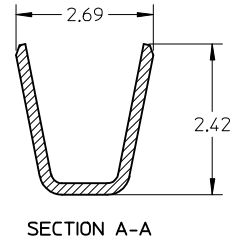
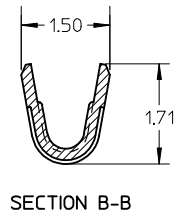
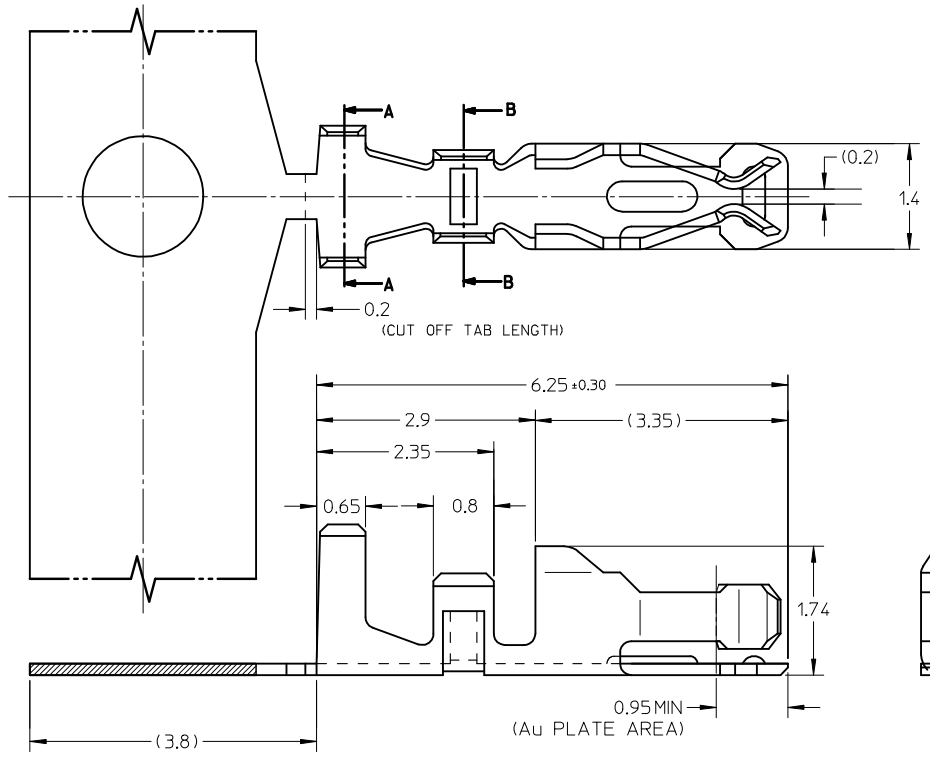


10 9 8 7 6 5 4 3 2 1



NOTES:

1. APPLICABLE HOUSING : 51110-***1
: 51110-**5*
2. APPLICABLE WIRE RANGE : AWG22 - AWG28
MAXIMUM WIRE INSULATION O.D: 1.40MM
3. MATERIAL: PHOSPOR BRONZE
THICKNESS = 0.152
4. CRIMPING SPECIFICATION: CS-87396-001

Au PLATE THICK. (4m MIN.)	CHAIN FORM
0.38	87396-8051
0.75	87396-9051

EDIT NOTE 2 EC NO: S2016-0100 DRWG:GMENARLY 2015/07/13 CHKD:SCHEONG 2016/02/17 APPR:KHL IM 2016/02/21	QUALITY SYMBOLS	GENERAL TOLERANCES (UNLESS SPECIFIED)	DIMENSION STYLE	SCALE	DESIGN UNITS	THIRD ANGLE PROJECTION
	$\nabla_F = 0$ $\nabla_E = 0$ $\nabla_B = 0$	mm INCH 4 PLACES ± --- ± --- 3 PLACES ± --- ± --- 2 PLACES ± 0.2 ± --- 1 PLACE ± --- ± --- ANGULAR ± 3 °	MM ONLY	NTS	METRIC	
	DESCRIPTION	DRAFT WHERE APPLICABLE MUST REMAIN WITHIN DIMENSIONS	DRAWN BY DATE	TITLE	MILLI-GRID, 2.0MM GRID W-T-B CONNECTOR CRIMP TERMINAL	
	REV		CHECKED BY DATE		MOLEX INCORPORATED	
		APPROVED BY DATE		DOCUMENT NO.	SD-87396-001	
		MATERIAL NO.	SEE TABLE		SHEET NO.	1 OF 1
		SIZE	THIS DRAWING CONTAINS INFORMATION THAT IS PROPRIETARY TO MOLEX INCORPORATED AND SHOULD NOT BE USED WITHOUT WRITTEN PERMISSION			

9 8 7 6 5 4 3 2 1