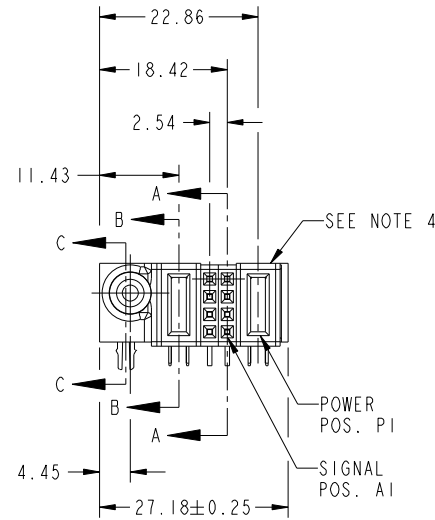
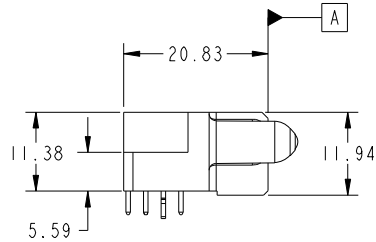


Tous droits strictement reserves. Reproduction ou communication a des tiers interdite sous quelque forme que ce soit sans autorisation écrite du propriétaire. Propriete de c FCI. Droits de reproduction FCI.



All rights strictly reserved. Reproduction or issue to third parties in any form whatever is not permitted without written authority from the proprietor. Property of FCI. Copyright FCI.

PRODUCT NO.	ROWS		POWER	SIGNAL	POWER	
51915-143-- NOTE 3	D C B A	E2	P2	2 1	P1	E1



CODE	DIM "M" MATING LENGTH	CONTACT TYPE
PA	[1.07]	POWER
H	[N/A]	SIGNAL
G	[N/A]	SIGNAL
F	[N/A]	SIGNAL
E	[N/A]	SIGNAL
HA	[N/A]	HOLD-DOWN

mat'l code				SEE NOTE 2		tolerances unless otherwise specified		CUSTOMER		 www.fciconnect.com	
ltr	ecn no.	dr	date	linear	0.X ± 0.3	projection		COPY		title	
A	DG07-0469	JC	11/27/07	angles	0.XX ± 0.13					IP + 8S + IP R/A SOLDER RECEPTACLE	
				dr	0.XXX ± 0.051			product family		PwrBlade	code
				enr	0° ± 2°	scale		size	dwg no	51915-143	213
				chr		1:1		A			sheet
				appd							1 of 4
sheet index	revision sheet	A	A	A	A					cage code	22526
1	2	3	4								4

Pro/E

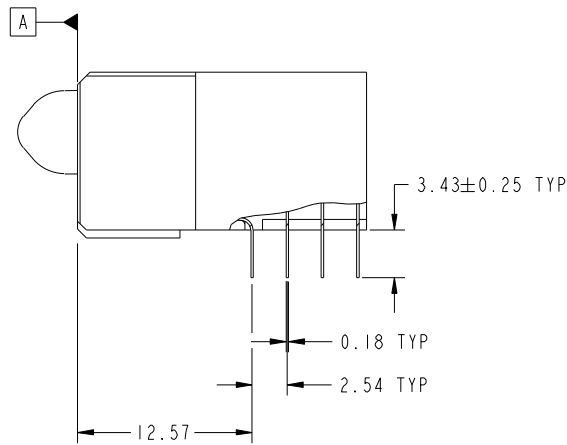
cage code 22526

Tous droits strictement reserves. Reproduction ou communication a des tiers interdite sous quelque forme que ce soit sans autorisation écrite du propriétaire. Propriete de c FCI. Droits de reproduction FCI.

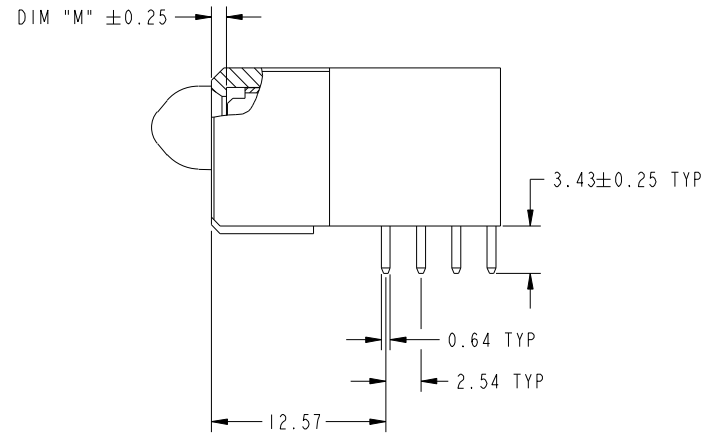
All rights strictly reserved. Reproduction or issue to third parties in any form whatever is not permitted without written authority from the proprietor. Property of FCI. Copyright FCI.



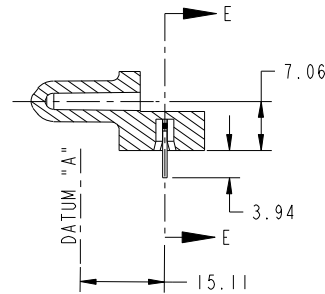
PRODUCT NUMBER  
51915-143--  
NOTE 3



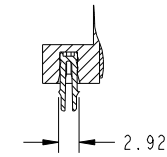
BROKEN-OUT SECTION A-A  
SCALE 2:1



BROKEN-OUT SECTION B-B  
SCALE 2:1



SECTION C-C



PARTIAL SECTION E-E

mat'l code		SEE NOTE 2		tolerances unless otherwise specified		CUSTOMER		 www.fciconnect.com	
ltr	ecn no.	dr	date	linear	0.X ±0.3	COPY		title	
A					0.XX ±0.13	projection		IP + 8S + 1P R/A SOLDER RECEPTACLE	
				angles	0.XXX ±0.051			product family	
		dr	Jerome Chen	11/20/07	0° ±2°			PwrBlade	
		enr	Jerome Chen	11/20/07		scale		code	
		chr	Gary Hsieh	11/20/07		1:1		213	
		appd	Joseph Hsia	11/20/07		A		sheet	
sheet index		revision sheet						2 of 4	

cage code 22526

Pro/E



Tous droits strictement reserves. Reproduction ou communication a des tiers interdite sous quelque forme que ce soit sans autorisation écrite du propriétaire. Propriete de c FCI. Droits de reproduction FCI.



All rights strictly reserved. Reproduction or issue to third parties in any form whatever is not permitted without written authority from the proprietor. Property of FCI. Copyright FCI.

PRODUCT NUMBER  
51915-143--  
NOTE 3

NOTES:

1. DIMENSIONS AND TOLERANCES ARE IN ACCORDANCE WITH ASME Y14.5M, 1994 UNLESS OTHERWISE SPECIFIED.

CONNECTOR NOTES:

- 2. HOUSING MATERIAL: UL 94 V-0 GLASS FILLED HIGH-TEMP THERMOPLASTIC  
POWER CONTACT MATERIAL: COPPER ALLOY  
SIGNAL PIN MATERIAL: COPPER ALLOY
- 3. PLATING:  
51915-143, 51915-143LF PLATING SPEC. WAS SHOWN IN THE PRINT OF 10064183.
- 4. MANUFACTURER'S NAME, P/N, AND DATE CODE TO APPEAR ON THIS SURFACE.
- 5. PRODUCT SPECIFICATION GS-12-149.  
APPLICATION SPECIFICATION BUS-20-067.
- 6. PACKAGED IN TRAYS.

PCB NOTES:

- 7. ALL HOLE DIAMETERS ARE FINISHED HOLE SIZE.
- 8. MOUNTING HOLES, WHERE APPLICABLE, ARE UNPLATED.
- 9.  $\varnothing 1.151 \pm 0.025$  DRILLED HOLES PLATED WITH  
0.008 MIN SnPb OR Sn OVER 0.03  
TO 0.08 Cu PLATING TO ACHIEVE  
 $\varnothing 1.02 \pm .07$  HOLE.
- 10. "DIM XXX" TO BE DETERMINED BY THE CUSTOMER.
- 11. CONNECTOR KEEP-OUT ZONE.

mat'l code		SEE NOTE 2		tolerances unless otherwise specified		CUSTOMER		FCI		www.fciconnect.com					
ltr	ecn no.	dr	date	linear	0.X ± 0.3	COPY		title IP + 8S + 1P R/A SOLDER RECEPTACLE							
A					0.XX ± 0.13	projection						product family		code	
				angles	0.XXX ± 0.051							PwrBlade		213	
				dr	Jerome Chen 11/20/07	MIM		size		sheet					
				engr	Jerome Chen 11/20/07			dwg no		4 of 4					
				chr	Gary Hsieh 11/20/07	scale		A		51915-143					
				appd	Joseph Hsia 11/20/07	1:1									
sheet index	revision sheet														

cage code 22526

Pro/E