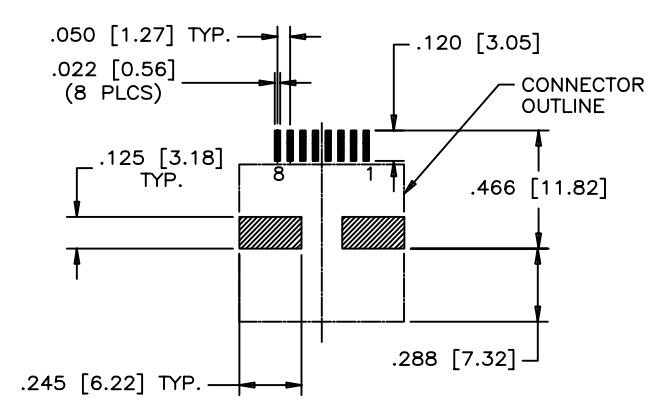
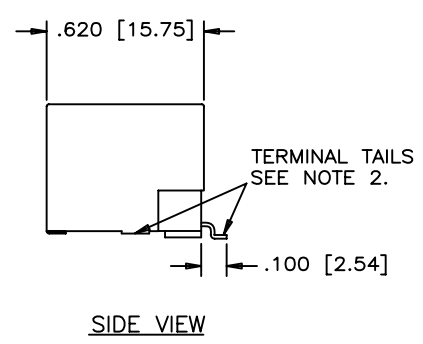
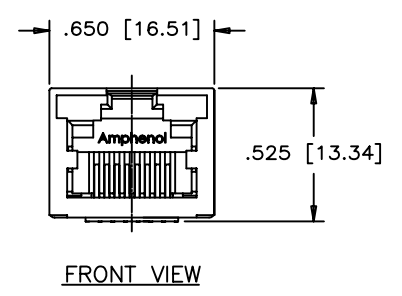


REVISIONS				
SYM	ZONE	ECN, ERN NO.	DATE	APPRD.
A		PROPOSAL	AUG12/08	LCHAN
B		PROPOSAL	NOV 3/08	LCHAN



NOTES :

1. MATERIALS:

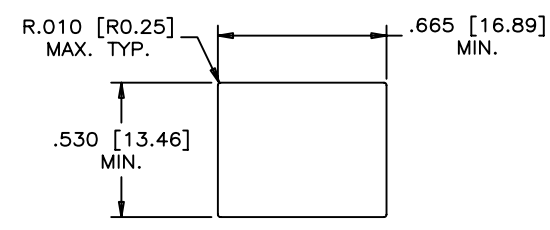
HOUSING: HIGH TEMPERATURE THERMOPLASTIC
FLAMMABILITY RATING UL 94V-0
COLOR: BLACK

CONTACTS: PHOSPHOR BRONZE
PLATING: 20 μ" [0.508 MICRONS]
MIN. GOLD ON MATING SURFACES.
50 μ" [1.27 MICRONS]
MIN. NICKEL UNDERPLATE
100 μ" [2.54 MICRONS]
MIN. MATTE TIN OR GOLD FLASH
ON CONTACT TAILS.

SHIELD: COPPER ALLOY
PLATING: NICKEL UNDERPLATE, MATTE TIN ON SURFACE.

2. COPLANARITY SPECIFICATION:
WITH THE MODULAR JACK SITTING ON A LEVEL SURFACE,
THE MAXIMUM GAP BETWEEN SHIELD TAIL AND ALL TERMINAL
TAILS IS .004 [0.10].

SUITABLE FOR SOLDERING IN ACCORDANCE JEDEC-020C STANDARD.

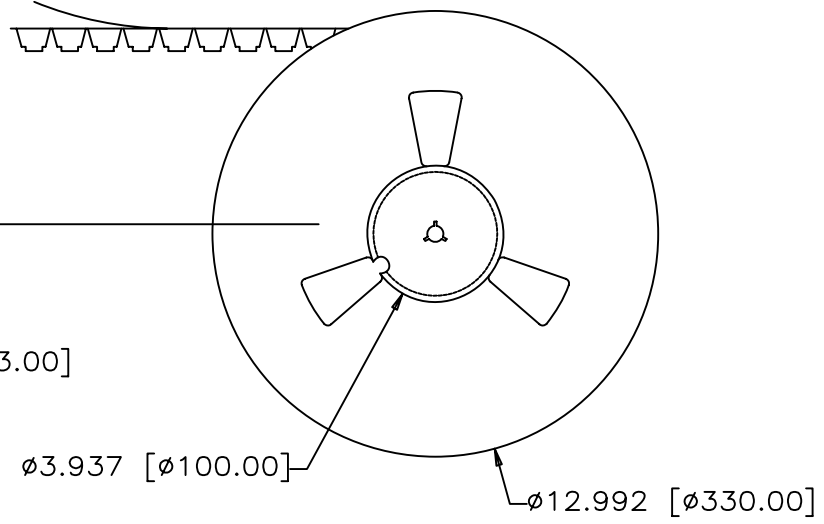
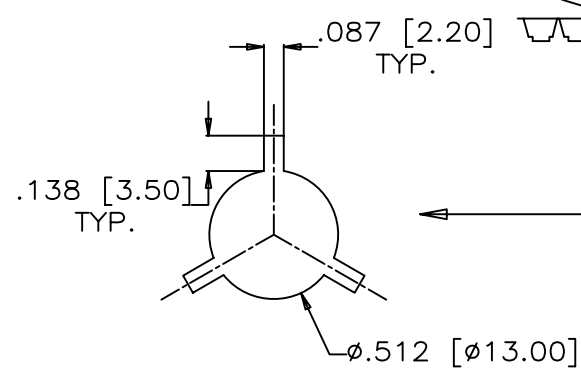
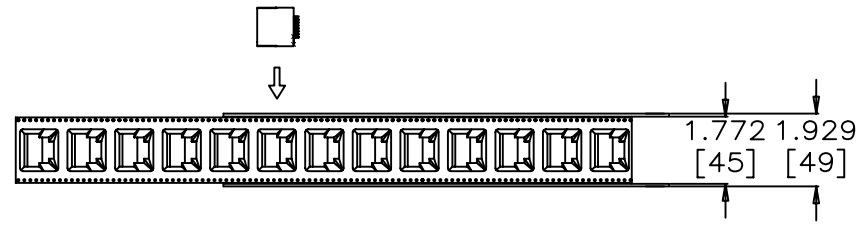
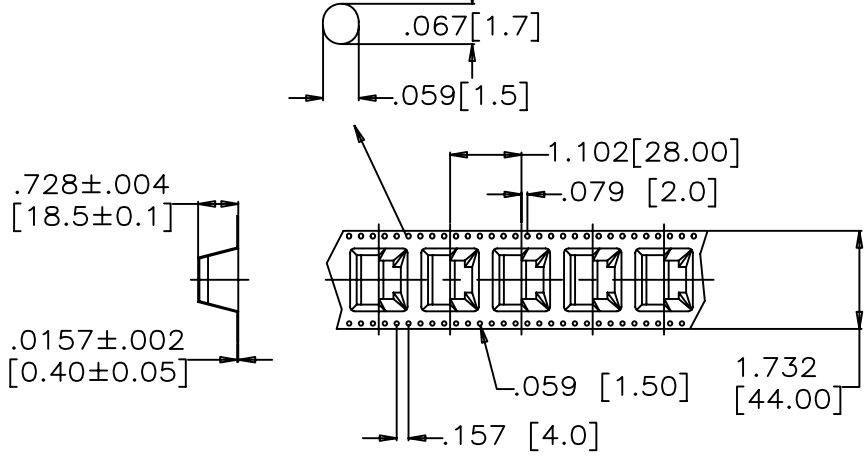


AMPHENOL PART NUMBER: RJSSE-5F80-01T

DRAWN	J.OUYANG	DATE	AUG 12/08	Amphenol Canada Corp.				
DESIGNED	MT.CHAN	DATE	AUG 12/08					
CHECKED	L.CHAN	DATE	AUG 12/08					
I. E. APPRD.								
Q. A. APPRD.				TITLE	SINGLE PORT, SURFACE MOUNT, RJ45 MODULAR JACK, 8 POSITION, 8 CONTACTS, SHIELDED, NO SIDE & TOP TABS, WITHOUT LEDs--RoHS COMPLIANT			
DWG. APPRD.				DWG	DRAWING NO.	P-RJSSE-5F80-01T	REV.	B
ENG. REL. NO.				SCALE	WT.	SURF.	SHEET	1 OF 2
REF.	EAR #13321			DIMENSIONS ARE IN	INCHES	[mm]	CODE ID. NO.	03554

THIS DOCUMENT CONTAINS PROPRIETARY INFORMATION AND SUCH INFORMATION MAY NOT BE DISCLOSED TO OTHERS FOR ANY PURPOSE OR USED FOR MANUFACTURING PURPOSES WITHOUT WRITTEN PERMISSION FROM AMPHENOL CANADA CORP.

REVISIONS				
SYM	ZONE	ECN, ERN NO.	DATE	APPRD.
A		PROPOSAL	AUG12/08	L.CHAN
B		PROPOSAL	NOV 3/08	L.CHAN



PACKAGING NOTES:

1. ONE REEL SHOULD HOLD 130 CONNECTORS.
2. 10 EMPTY CAVITIES FOR BOTH TOP AND BOTTOM OF THE CARRIER.
3. A FULLY LOADED CARTON SHOULD CONTAIN 5 REELS (650 PCS) OF CONNECTOR.

MATERIAL -----	DRAWN	J.OUYANG	DATE	AUG12/08	Amphenol Canada Corp.
	DESIGNED	MT.CHAN	DATE	AUG12/08	
FINISH -----	CHECKED	L.CHAN	DATE	AUG12/08	TITLE SINGLE PORT, SURFACE MOUNT, RJ45 MODULAR JACK, 8 POSITION, 8 CONTACTS, SHIELDED, NO SIDE & TOP TABS, WITHOUT LEDs--RoHS COMPLIANT
	I. E. APPRD.				
	Q. A. APPRD.				DWG. DRAWING NO.
	DWG. APPRD.				C P-RJSSE-5F80-01T
	ENG. REL. NO.				REV. B
	REF. EAR #13321				
	DIMENSIONS ARE IN INCHES [mm]	CODE ID. NO.	03554	SCALE	WT. ----- SURF. ----- SHEET 2 OF 2

THIS DOCUMENT CONTAINS PROPRIETARY INFORMATION AND SUCH INFORMATION MAY NOT BE DISCLOSED TO OTHERS FOR ANY PURPOSE OR USED FOR MANUFACTURING PURPOSES WITHOUT WRITTEN PERMISSION FROM AMPHENOL CANADA CORP.