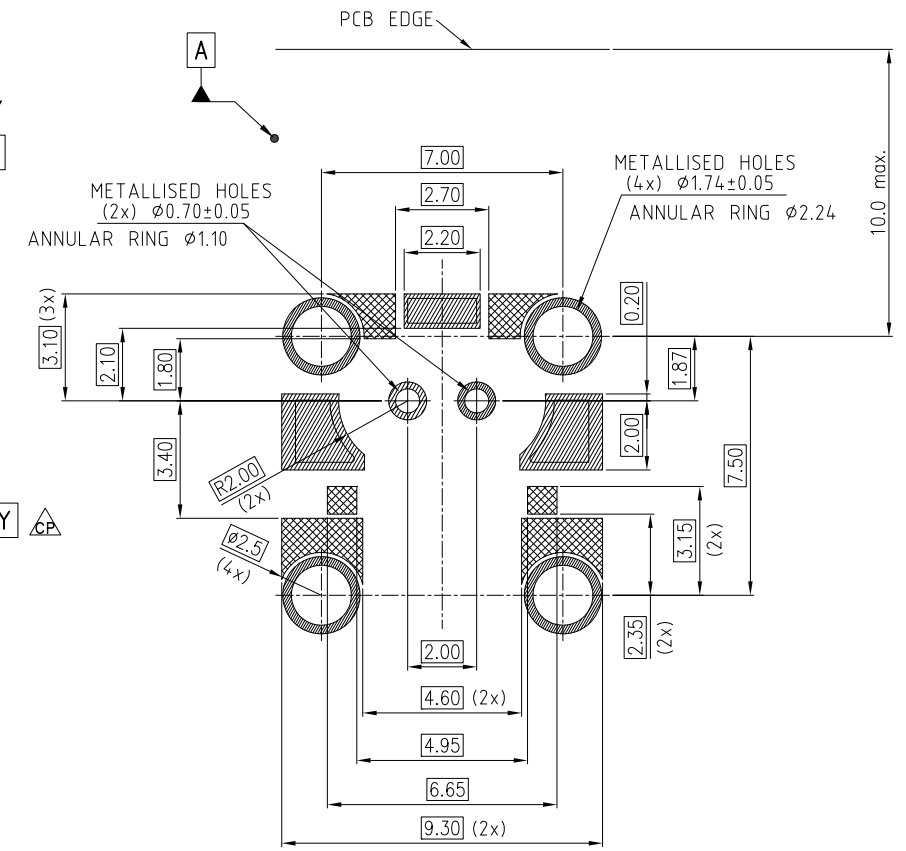
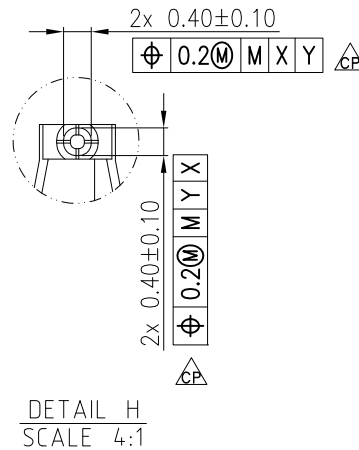
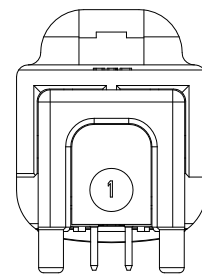
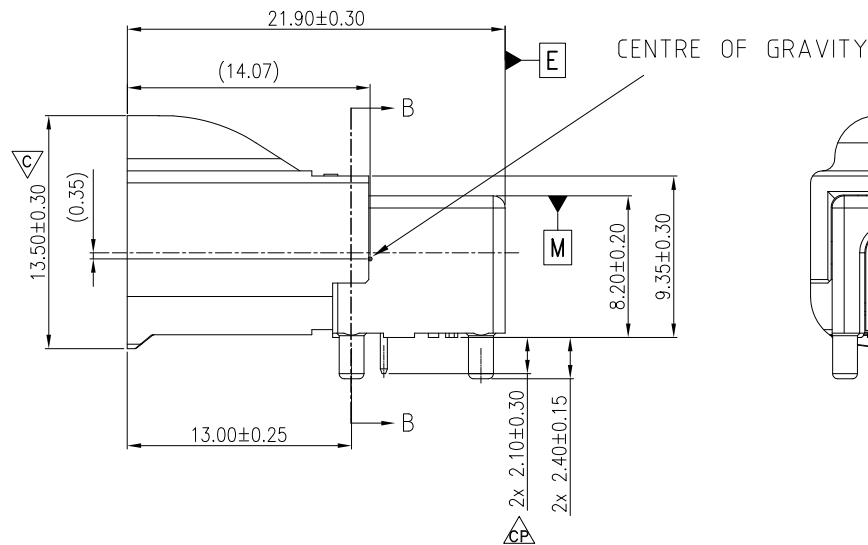
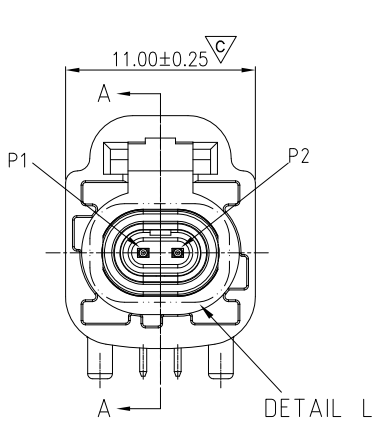
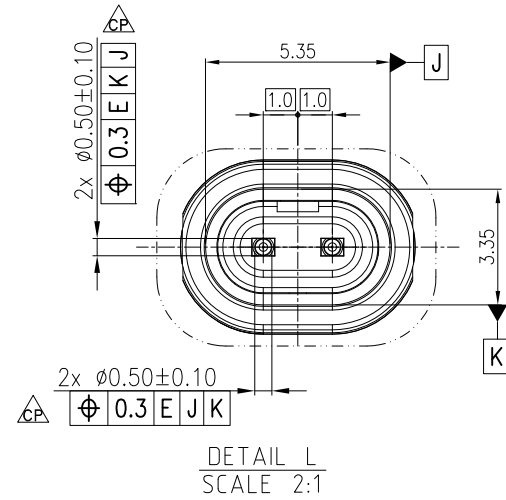
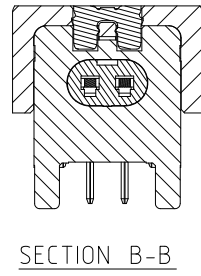
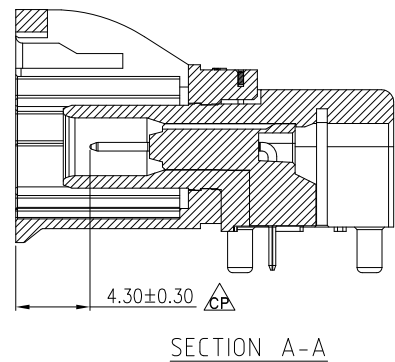
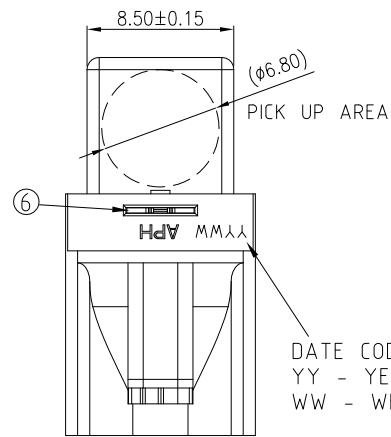


This document is the property of Amphenol Corporation and is delivered on the express condition that it is not to be disclosed, reproduced or used, in whole or in part, for manufacture or sale by anyone other than Amphenol Corporation without its prior consent, & that no right is granted to disclose or to use any information in this document.

CUSTOMER DRAWING

REVISIONS				
SYM	ECN	DESCRIPTION	DATE	APPROVED
1	N/A	FIRST RELEASE	05/24/2021	DAM
2	HKXXXX	ADD PIN POSITION	06/01/2022	DAM
3	HKXXXX	ADD SPECIAL CHARACTERISTICS	06/12/2022	DAM
4	HKXXXX	PIN POSITION PCB SIDE CHANGE FROM 0.3 TO 0.2	06/18/2022	DAM
5	HKXXXX	ADD CENTRE OF GRAVITY	07/05/2022	DAM
6	HKXXXX	ADD BAFFLE	08/03/2022	DAM
7	HKXXXX	UPDATE DIMENSION AND BASELINE	09/04/2022	DAM
8	HKXXXX	DELETE TRAY PACKING METHOD	10/21/2022	DAM
9	HKXXXX	ADD CPK DIMENSION AND UPDATE CPK SYMBOL	11/10/2022	DAM
10	HKXXXX	UPDATE THE SHAPE OF THE FRAME PORT	02/24/2023	DAM



RECOMMENDED PCB LAYOUT THINCKNESS=1.6mm (TOLERANCE ±0.05)

ALL THROUGH HOLES φ0.05 A SCALE 2:1

■ SOLDER AREA

■ KEEP OUT AREA, FREE OF SOLDER, NO ROUTING UNDERNEATH

- NOTES
- MATERIAL(SEE TABLE A)
 - GENERAL SPECIFICATION:
 - CURRENT CONTACT CARRYING CAPACITY MAXIMAL: 1.5A.
 - CONTACT RESISTANCE: 10mΩ MAX.
 - INSULATOR RESISTANCE: 100MΩ MIN.AT Vdc=500V.T=60S
 - DIELECTRIC WITHSTANDING VOLTAGE: 500 VAC
 - OPERATION TEMPERATURE: -40°C~+105°C
 - MARKED Δ MEANS PRODUCT SPECIAL CHARACTERISTIC. DIMENSION MARKED ∇ SHOULD CHECK THE CPK.
 - DIMENSIONING SHALL BE INTERPRETED PER ASME Y14.5M 1994.
 - COMPLIANCE WITH OPEN ALLIANCE TC9, IEEE1000MBASE-T1, IEEE802.3ch-10GBASE-T1
 - BE SUITABLE FOR REFLOW SOLDERING OF JEDEC J-STD-020D STANDARD.
 - Refer to USCAR 777-U-002-1-Z01 INTERFACE DRAWING.
 - ORDER P/N SYSTEM
VNTBR11X 2 001SR

CODE OPTION PACKAGE
A:CODE A R:TAPE REEL
B:CODE B
C:CODE C
D:CODE D
...
Z:CODE Z



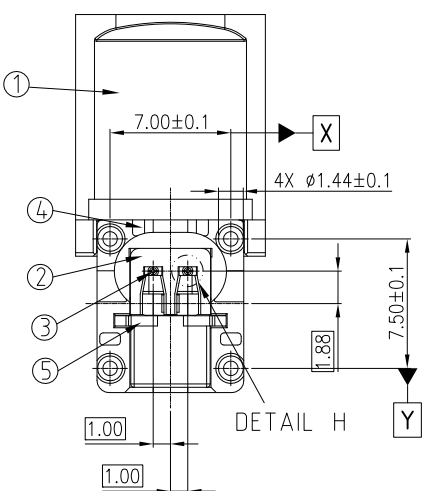
HF(无卤)
Non-HF(有卤)

TABLE A (BOM)

ITEM	COMPONENTS	MATERIAL	QTY
⑥	BAFFLE	SUS304, T=0.3mm, 1/2H	1
⑤	LID	ZINC ALLOY, 9~15um Cu UNDER PLATED, 1~3um Ni TOP PLATED	1
④	DIE CAST	ZINC ALLOY, 9~15um Cu UNDER PLATED, 1~3um Ni MIDDLE PLATED, 1.25~6um Sn TOP PLATED	1
③	CONTACT	C2680, 1~3um Ni UNDER PLATED, Au 0.15um ON MATING AREA, TIN 2~5.08um ON SOLDER AREA	2
②	HOLDER	LCP R8530, UL94-V0, BLACK	1
①	HOUSING	PA4T(ForTii F11), UL94-V0, COLOR: SEE CODING DEFINITION	1

UNLESS OTHERWISE SPECIFIED TOLERANCES		APPROVAL	DATE
.X	+/- 0.50	DRAWN Jimmy Min	02/24/23
.XX	+/- 0.30	CHECKED Dam He	02/24/23
.XXX	+/- 0.20	CHECKED	
FRACTIONS	+/-		
ANGLES	+/- 3°		
FOR MATERIALS AND FINISHES SEE NOTES		DRAWING FILE :	
REMOVE SHARP EDGES		ANGLE OF PROJECTION	
DIMENSIONS			
U.S.	INCHES		
(METRIC)	(MM)		

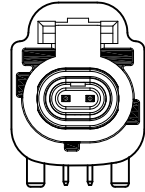
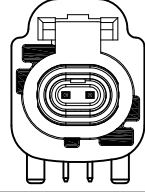
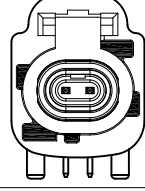
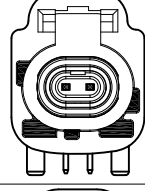
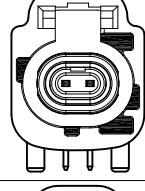
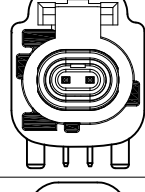
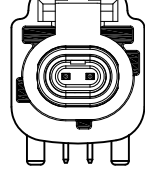
Amphenol		Amphenol East Asia Limited	
TITLE Ve-NET 1X1 R/A RECEPTACLE CONNECTOR			
SIZE	DRAWING NO.	REV.	
A3	VNTBR11X2001SR	10	
SCALE	NONE	SHEET	1 OF 2

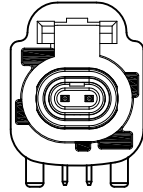
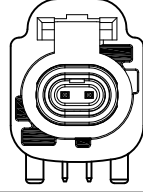
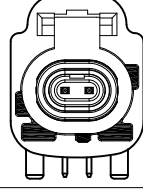
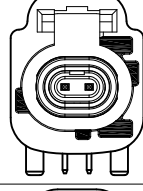
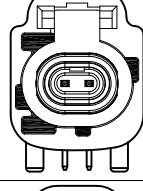
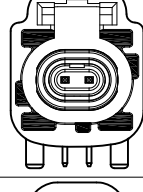
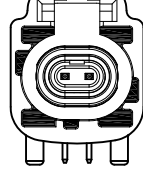


This document is the property of Amphenol Corporation and is delivered on the express condition that it is not to be disclosed, reproduced or used, in whole or in part, for manufacture or sale by anyone other than Amphenol Corporation without its prior consent, & that no right is granted to disclose or to use any information in this document.

CUSTOMER DRAWING

REVISIONS				
SYM	ECN	DESCRIPTION	DATE	APPROVED

CODING		COLOR	RAL	P/N
A		BLACK	SIM. 9005	VNTBR11A2001SR
B		WHITE	NATURAL	VNTBR11B2001SR
C		LIGHT BLUE	SIM. 5012	VNTBR11C2001SR
D		CLARET VIOLET	SIM. 4004	VNTBR11D2001SR
E*		MAY GREEN	SIM. 6017	VNTBR11E2001SR
F*		NUT BROWN	SIM. 8011	VNTBR11F2001SR
G*		PLATINUM GREY	SIM. 7036	VNTBR11G2001SR

CODING		COLOR	RAL	P/N
H*		LIGHT PINK	SIM. 3015	VNTBR11H2001SR
J*		BEIGE	SIM. 1001	VNTBR11J2001SR
K*		CURRY	SIM. 1027	VNTBR11K2001SR
L*		YELLOW GREEN	SIM. 6018	VNTBR11L2001SR
M*		PASTEL ORANGE	SIM. 2003	VNTBR11M2001SR
O*		LIGHT GREEN	SIM. 6027	VNTBR11O2001SR
Z		WATER BLUE	SIM. 5021	VNTBR11Z2001SR

(*) CODING ON REQUEST



HF(无卤)	√
Non-HF(有卤)	

UNLESS OTHERWISE SPECIFIED TOLERANCES

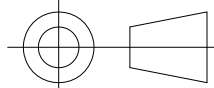
	U.S.	METRIC
.X	+/-	0.50
.XX	+/-	0.30
.XXX	+/-	0.20
FRACTIONS	+/-	
ANGLES	+/-	3°

FOR MATERIALS AND FINISHES SEE NOTES

REMOVE SHARP EDGES

DIMENSIONS

U.S.	INCHES
(METRIC)	(MM)

APPROVAL		DATE
DRAWN	Jimmy Min	02/24'23
CHECKED	Dam He	02/24'23
CHECKED		
DRAWING FILE :		
ANGLE OF PROJECTION		
		

Amphenol		Amphenol East Asia Limited	
TITLE			
Ve-NET 1X1 R/A RECEPTACLE CONNECTOR			
SIZE	DRAWING NO.	REV.	
A3	VNTBR11X2001SR	10	
SCALE	NONE	SHEET 2 OF 2	