

THIS DRAWING IS UNPUBLISHED.

RELEASED FOR PUBLICATION

--,--

© COPYRIGHT BY TYCO ELECTRONICS CORPORATION.

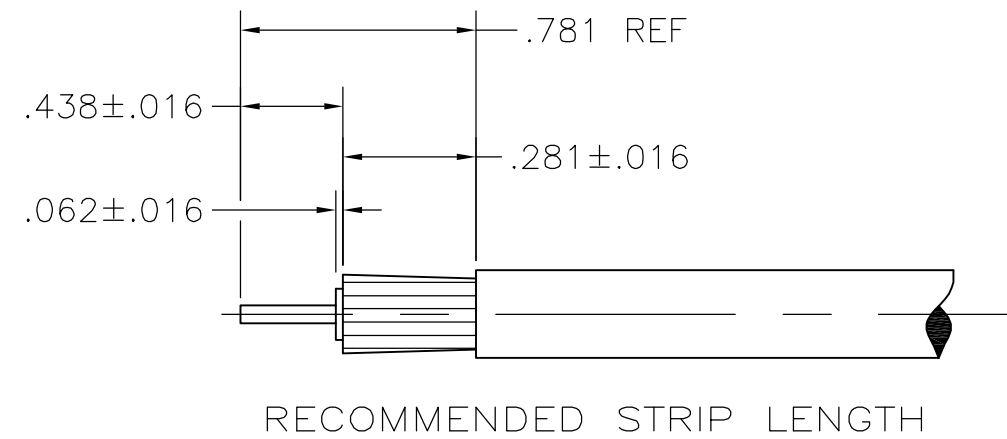
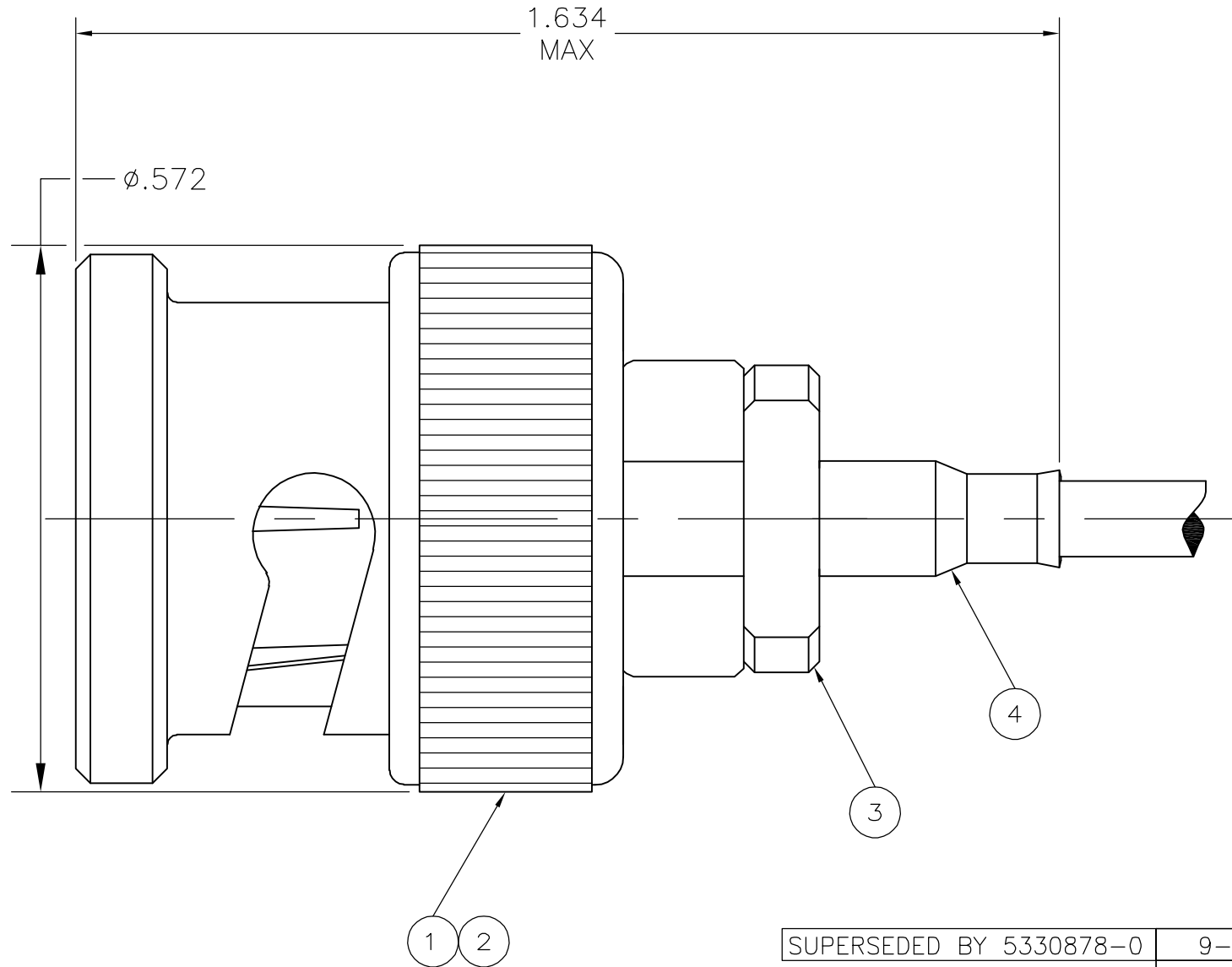
ALL RIGHTS RESERVED.

LOC DIST  
AJ 16

REVISIONS

| P | LTR | DESCRIPTION                 | DATE     | DWN | APVD |
|---|-----|-----------------------------|----------|-----|------|
|   | J   | REVISED PER EC OS14-0173-05 | 26JULY05 | BM  | JL   |

- FOR USE WITH: BELDEN 8281, WE 724 & 3049 CABLES.
- CRIMPING TOOL: 69652
- SEE INSTRUCTION SHEET 408-1799-1.



|                         |                         |                   |                             |             |            |
|-------------------------|-------------------------|-------------------|-----------------------------|-------------|------------|
| SUPERSEDED BY 5330878-0 | 9-331256-0              | 1-50780-7         | 2-329106-1                  | 9-329327-0  | 9-330878-0 |
|                         | 9-331256-0              | 1-50780-7         | 2-329106-1                  | 329327      | 330878     |
| 4 FERRULE<br>QTY=1      | 3 CRIMP<br>END<br>QTY=1 | 2 GASKET<br>QTY=1 | 1 PLUG<br>ASSEMBLY<br>QTY=1 | PART NUMBER |            |

|  |     |                             |   |                    |                        |       |     |       |     |       |     |        |     |                   |                    |  |  |
|--|-----|-----------------------------|---|--------------------|------------------------|-------|-----|-------|-----|-------|-----|--------|-----|-------------------|--------------------|--|--|
| THIS DRAWING IS A CONTROLLED DOCUMENT.   |     | DWN<br>M. E.<br>05-24-83    | Tyco Electronics Corporation<br>Harrisburg, Pa 17105-3608 |                    |                        |       |     |       |     |       |     |        |     |                   |                    |  |  |
| DIMENSIONS:<br>INCHES  |     | CHK<br>D. HEIDE<br>08-26-83 |   |                    |                        |       |     |       |     |       |     |        |     |                   |                    |  |  |
| TOLERANCES UNLESS OTHERWISE SPECIFIED:   |     | APVD<br>G. M.<br>12-09-83   | NAME<br>CONNECTOR, COAXIAL<br>RF PLUG,<br>SERIES BNC      |                    |                        |       |     |       |     |       |     |        |     |                   |                    |  |  |
| <table border="1"> <tr> <td>0 PLC</td><td>± -</td></tr> <tr> <td>1 PLC</td><td>± -</td></tr> <tr> <td>2 PLC</td><td>± -</td></tr> <tr> <td>3 PLC</td><td>± -</td></tr> <tr> <td>4 PLC</td><td>± -</td></tr> <tr> <td>ANGLES</td><td>± -</td></tr> </table> |     | 0 PLC                       | ± -   | 1 PLC              | ± -                    | 2 PLC | ± - | 3 PLC | ± - | 4 PLC | ± - | ANGLES | ± - | PRODUCT SPEC<br>- | RESTRICTED TO<br>- |  |  |
| 0 PLC  | ± - |                             |   |                    |                        |       |     |       |     |       |     |        |     |                   |                    |  |  |
| 1 PLC  | ± - |                             |   |                    |                        |       |     |       |     |       |     |        |     |                   |                    |  |  |
| 2 PLC  | ± - |                             |   |                    |                        |       |     |       |     |       |     |        |     |                   |                    |  |  |
| 3 PLC  | ± - |                             |   |                    |                        |       |     |       |     |       |     |        |     |                   |                    |  |  |
| 4 PLC  | ± - |                             |   |                    |                        |       |     |       |     |       |     |        |     |                   |                    |  |  |
| ANGLES   | ± - |                             |   |                    |                        |       |     |       |     |       |     |        |     |                   |                    |  |  |
| MATERIAL   |     | APPLICATION SPEC<br>-       | SIZE<br>A3  | CAGE CODE<br>00779 | DRAWING NO<br>G-330878 |       |     |       |     |       |     |        |     |                   |                    |  |  |
| FINISH   |     | WEIGHT<br>.458 OZ           | CUSTOMER DRAWING  |                    |                        |       |     |       |     |       |     |        |     |                   |                    |  |  |
|  |     | SCALE<br>NTS                | SHEET<br>1 OF 1   | REV<br>J           |                        |       |     |       |     |       |     |        |     |                   |                    |  |  |