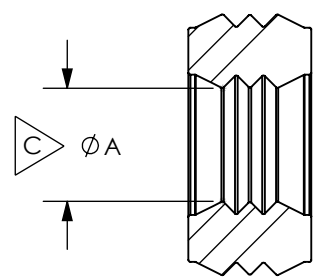


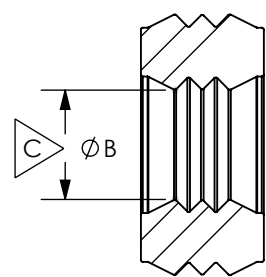
THE INFORMATION CONTAINED IN THIS DRAWING IS THE SOLE PROPERTY OF ANDERSON POWER PRODUCTS. ANY REPRODUCTION IN PART OR WHOLE WITHOUT THE WRITTEN PERMISSION OF ANDERSON POWER PRODUCTS IS PROHIBITED.

Copyright 2022

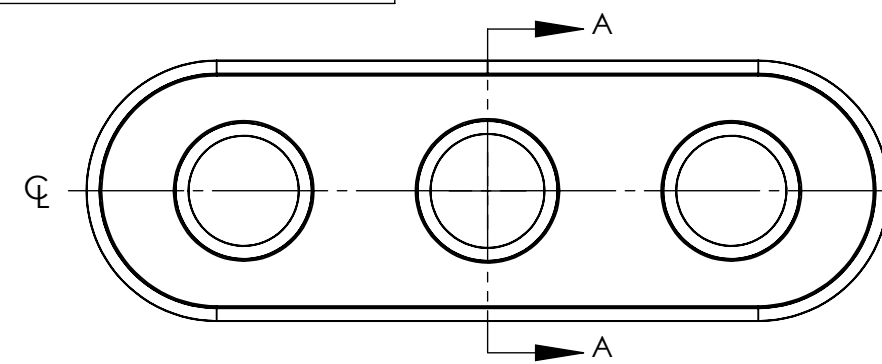
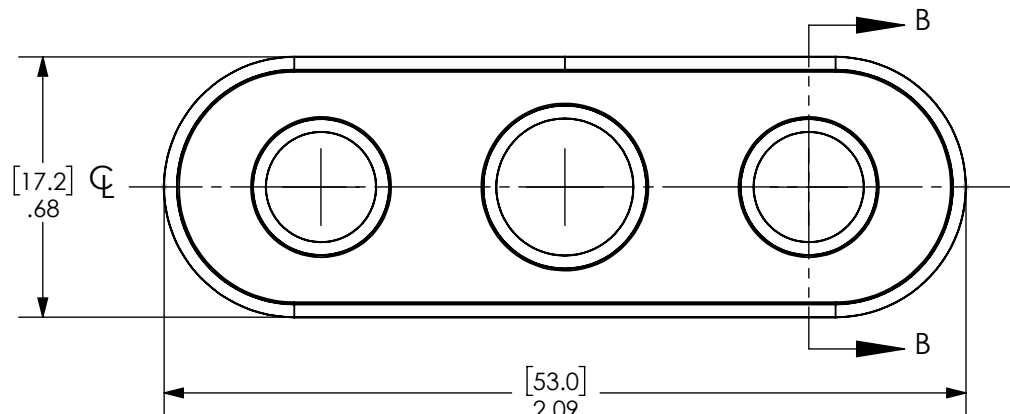
ANDERSON POWER PRODUCTS RESERVES THE RIGHT TO ALTER PRODUCT TYPES, THEIR TECHNICAL DATA, DIMENSION, STYLE AND ACCESSORIES WITHOUT PRIOR NOTIFICATION.



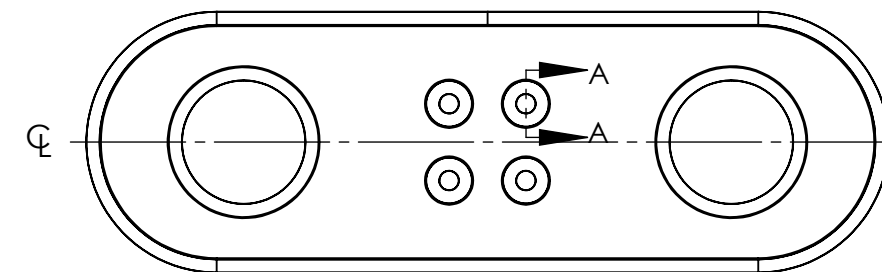
SECTION A-A
SIGNAL WIRE HOLE(S)
TYPE 1 (1 PLACE)
TYPE 2 (4 PLACES)



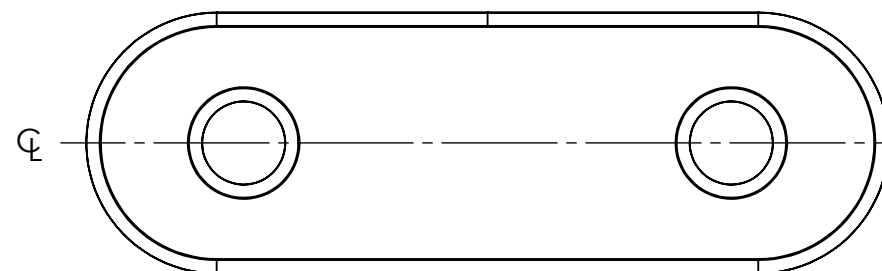
SECTION B-B
POWER WIRE HOLE
(2 PLACES)



TYPE 1
(JACKETED CABLE)



TYPE 2
(DISCRETE WIRES)



TYPE 3
(NO SIGNAL)

PART NUMBER	POWER WIRE DIAMETER RANGE (ØB)	SIGNAL CABLE/WIRE SIZE DIAMETER RANGE (ØA)	TYPE
J-150-150	.150-.180 [3.81-4.57]	.150-.180 [3.81-4.57]	1
J-150-180	.150-.180 [3.81-4.57]	.180-.210 [4.57-5.33]	1
J-150-320	.150-.180 [3.81-4.57]	.320-.350 [8.13-8.89]	1
J-150-350	.150-.180 [3.81-4.57]	.350-.380 [8.89-9.65]	1
J-150-380	.150-.180 [3.81-4.57]	.380-.410 [9.65-10.41]	1
J-150-410	.150-.180 [3.81-4.57]	.410-.440 [10.41-11.18]	1
J-240-150	.240-.270 [6.10-6.86]	.150-.180 [3.81-4.57]	1
J-240-180	.240-.270 [6.10-6.86]	.180-.210 [4.57-5.33]	1
J-240-320	.240-.270 [6.10-6.86]	.320-.350 [8.13-8.89]	1
J-240-350	.240-.270 [6.10-6.86]	.350-.380 [8.89-9.65]	1
J-240-380	.240-.270 [6.10-6.86]	.380-.410 [9.65-10.41]	1
J-240-410	.240-.270 [6.10-6.86]	.410-.440 [10.41-11.18]	1
J-310-150	.310-.340 [7.87-8.64]	.150-.180 [3.81-4.57]	1
J-310-180	.310-.340 [7.87-8.64]	.180-.210 [4.57-5.33]	1
J-310-320	.310-.340 [7.87-8.64]	.320-.350 [8.13-8.89]	1
J-310-350	.310-.340 [7.87-8.64]	.350-.380 [8.89-9.65]	1
J-310-380	.310-.340 [7.87-8.64]	.380-.410 [9.65-10.41]	1
J-310-410	.310-.340 [7.87-8.64]	.410-.440 [10.41-11.18]	1
J-410-150	.410-.440 [10.41-11.18]	.150-.180 [3.81-4.57]	1
J-410-180	.410-.440 [10.41-11.18]	.180-.210 [4.57-5.33]	1
J-410-320	.410-.440 [10.41-11.18]	.320-.350 [8.13-8.89]	1
J-410-350	.410-.440 [10.41-11.18]	.350-.380 [8.89-9.65]	1
J-410-380	.410-.440 [10.41-11.18]	.380-.410 [9.65-10.41]	1
J-410-410	.410-.440 [10.41-11.18]	.410-.440 [10.41-11.18]	1
D-150-060	.150-.180 [3.81-4.57]	.060-.080 [1.52-2.03]	2
D-310-060	.310-.340 [7.87-8.64]	.060-.080 [1.52-2.03]	2
NS-150	.150-.180 [3.81-4.57]	N/A	3
NS-240	.240-.270 [6.10-6.86]	N/A	3
NS-310	.310-.340 [7.87-8.64]	N/A	3
NS-410	.410-.440 [10.41-11.18]	N/A	3

DIMENSIONS ARE IN:	INCH [MM]	APPROVALS		ANDERSON POWER PRODUCTS		
UNLESS OTHERWISE STATED		DRAWN	JWH	2/1/2022	TITLE SBS@X-75A REAR GROMMET SALES DRAWING	
TOLERANCES:		CHECKED	CMS	3/25/2022		
DECIMALS (INCH)	DECIMALS (MM)	ANGLES	MFG APPRV	CM		3/25/2022
.XX ± .02	.X ± .5	±.5°	QC APPRV	MV		3/29/2022
SURFACE FINISH:		ENG APPRV	SH	3/25/2022	COA NO. 3332	
MACHINED 128µin [3.2µ]					PROD. LINE SBS@X-75A	
MOLDED 64µin [1.6µ]					SIZE B	
MATERIAL: SILICONE					DWG NO. B02782S1	
FINISH:					REV. 0	
					SCALE 2:1	
					CADFILE 05840	
					SHEET 1 OF 1	

REV.	DESCRIPTION	APPRV	DATE
REVISIONS			



-CAD GENERATED DRAWING-
DO NOT MANUALLY UPDATE
DO NOT SCALE