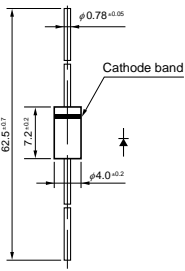
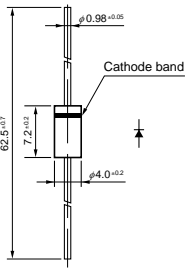




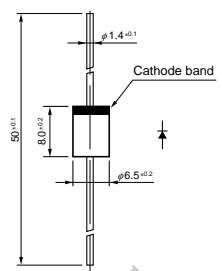
• No. 13 Axial ( $\phi 4.0/\phi 0.78$ )



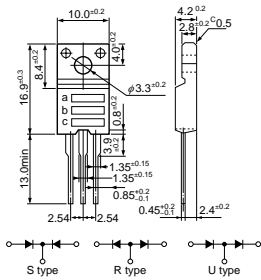
• No. 14 Axial ( $\phi 4.0/\phi 0.98$ )



• No. 15 Axial ( $\phi 6.5/\phi 1.4$ )

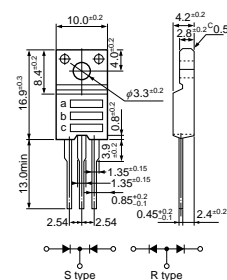


• No. 16 TO-220F (Two Elements)



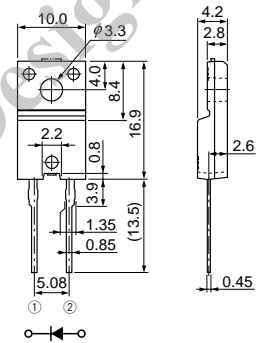
a: Part Number  
b: Polarity  
c: Lot No.

• No. 17 TO-220F (Center-tap)

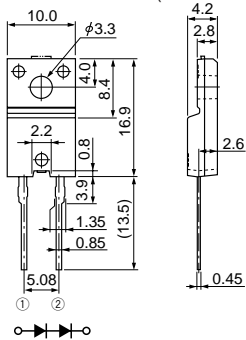


a: Part Number  
b: Polarity  
c: Lot No.

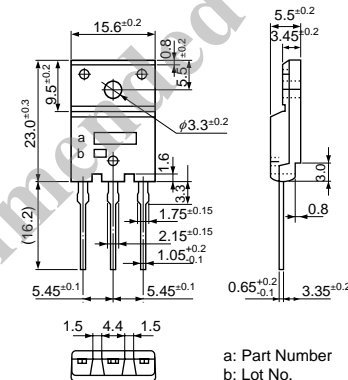
• No. 18 TO-220F2Pin



• No. 19 TO-220F2Pin (Two Elements)

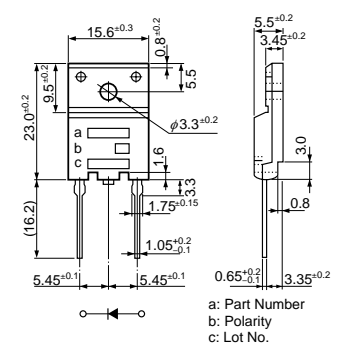


• No. 20 TO-3PF



a: Part Number  
b: Lot No.

• No. 21 TO-3PF2Pin



a: Part Number  
b: Polarity  
c: Lot No.