

## Data sheet

### OpDAT REGpro24 housing without splice tray

Page 1/5

P/N

15024A10-24-E

EAN 4250184161097

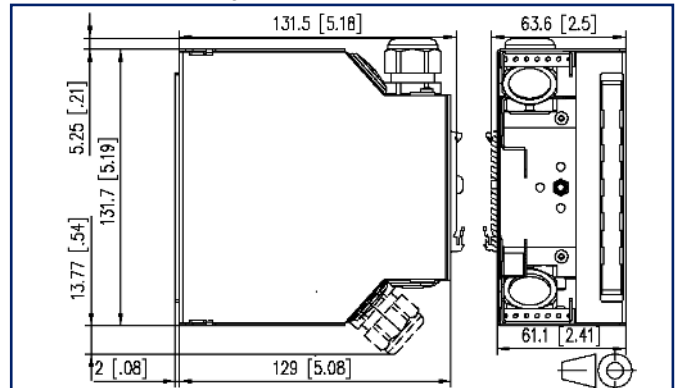
2022/11/10

Version: D

## Illustrations



Dimensional drawing



See enlarged drawings at the end of document

## Product specification

- splice distributor for TH35 rail without front cover
- to mount max. two splice trays
- to mount pigtails or pre-terminated installation cables
- gray housing
- with fiber reservoir
- identification strip for individual marking
- fastening on top hat rail by means of very sturdy top hat rail holder
- different rail mounting versions possible
- for different front plates 3RU/7HP
- cable feed from top or bottom, straight or inclined, with M20 cable gland (up to 2 possible)
- width: 61 mm, height: 128 mm, depth: 132.5 mm (from rail, without adapters)
- one cable gland M20 with strain relief included in delivery
- housing cover fastening by just one screw



### Technical Data

#### General Data

Fields of application	harsh environment
Mechanical measurement according to MICE	M1
Ingress measurement according to MICE	I1
Climatic measurement according to MICE	C1
Electromagnetic measurement according to MICE	E3
Design	Splice distributor
Color	gray
Dimensions	
Dimension (L x W x H)	131.5 mm x 131.7 mm x 52.6 mm
Dimension (L x W x H)	5.177 in. x 5.185 in. x 2.071 in.
Labeling option	label strip / labeling strip

#### Connections/interfaces

Cable access/outlet	from top or bottom, straight or inclined
---------------------	--

#### Mechanical data

strain relief	PG gland
---------------	----------

#### Materials and material properties

Material - Housing	steel
Material - Protective housing finish	powder-coated
Material - Strain relief	PA 6.6 UL94 V0
Material - Standard rail mounting support	Al (Aluminium)
RoHS	compliant

#### Classifications

ETIM 5.0	EC001130
ETIM 6.0	EC001130
ETIM 7.0	EC001130
ETIM 8.0	EC001130

# P | Cabling

Data sheet

Page 3/5

## OpDAT REGpro24 housing without splice tray

P/N

15024A10-24-E

EAN 4250184161097

2022/11/10

Version: D

### Technical Data

#### Packing details

Type of packaging	1 pc(s) / box
Packaging unit - Weight (gram)	605 g
Packaging unit - Weight (pound)	1.33 lb
Packaging dimension	122 mm x 44 mm x 164 mm
Packaging dimension	4.803 in. x 1.732 in. x 6.457 in.

## OpDAT REGpro24 housing without splice tray

P/N

15024A10-24-E

EAN 4250184161097

2022/11/10

Version: D

### Accessories

P/N	Designation
130B10E2E-E	Modul module frame 3RU, 7HP 6 port stainless steel unequipped
130B20E2E-E	Keystone module frame 3RU, 7HP 6 port stainless steel unequipped
150240M20Z-E	OpDAT REG strain relief M20
15024A0100-E	OpDAT REGpro front cover for 12xST
15024A0112-E	OpDAT REGpro front cover 12xST SM+MM
15024A0200-E	OpDAT REGpro front cover for 12xE2000/12xSC-S
15024A3112-E	OpDAT REGpro front cover 12xST MM
15024A5200-E	OpDAT REGpro front cover for 6xSC-D/6xLC-Q
15024A5812-E	OpDAT REGpro front cover 12xE2000-Simplex SM
15024A5912-E	OpDAT REGpro front cover 12xE2000-Simplex APC OS2
15024A5A00-E	OpDAT REGpro front cover for 6xE2000-Duplex Snap-In
15024A5A06-E	OpDAT REGpro front cover 6xE2000-Duplex MM
15024A5B06-E	OpDAT REGpro front cover 3RU, 7HP 6xE2000-D SM (ceramic)
15024A5C06-E	OpDAT REGpro front cover 6xE2000-Duplex APC OS2
15024A7106-E	OpDAT REGpro front cover 6xLC-Q UPC OS2
15024A7203-E	OpDAT REGpro front cover 3RU, 7HP 3xLC-Q OM2 (ceramic, beige)
15024A7206-E	OpDAT REGpro front cover 3RU, 7HP 6xLC-Q OM2 (ceramic, beige)
15024A7806-E	OpDAT REGpro front cover 6xLC-Q OM3
15024A7903-E	OpDAT REGpro front cover 3xLC-Q OM4
15024A7906-E	OpDAT REGpro front cover 6xLC-Q OM4
15024AC206-E	OpDAT REGpro front cover 6xSC-Duplex MM
15024AD204-E	OpDAT REGpro front cover 3RU, 7HP 6xSC-D OS2 (ceramic, metal)
15024AD206-E	OpDAT REGpro front cover 6xSC-Duplex OS2
15024ASK-E	OpDAT REGpro splice tray with crimp splice holder
15024ASK-S	OpDAT REGpro splice tray with shrink splice holder
899789-01	Label sheet for E-DAT C6 and E-DAT design patch panels

# P | Cabling

Data sheet

## OpDAT REGpro24 housing without splice tray

Page 5/5

P/N

15024A10-24-E

EAN 4250184161097

2022/11/10

Version: D

### Illustrations

Dimensional drawing

